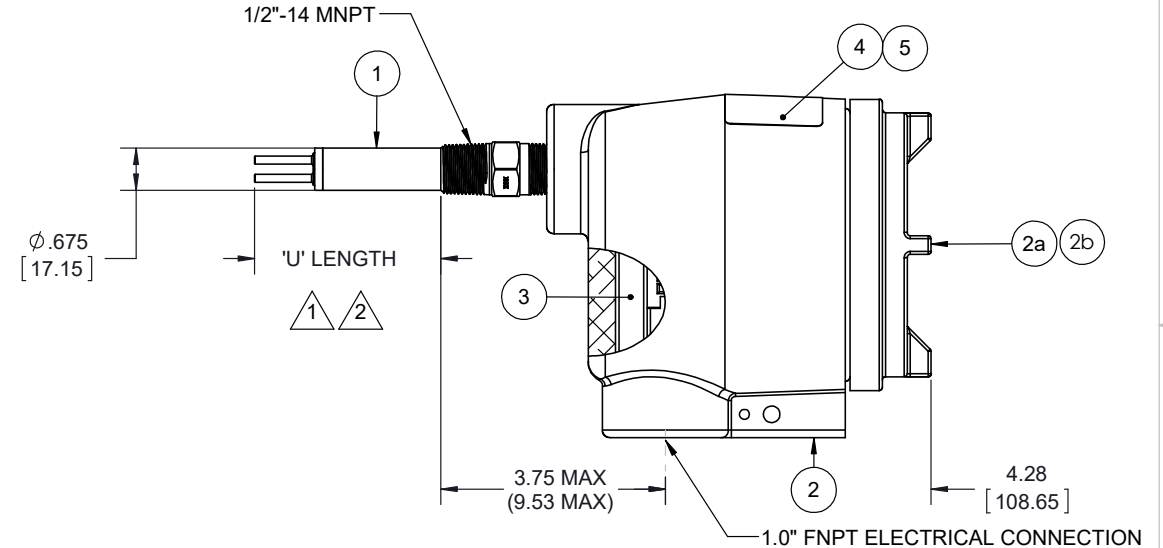
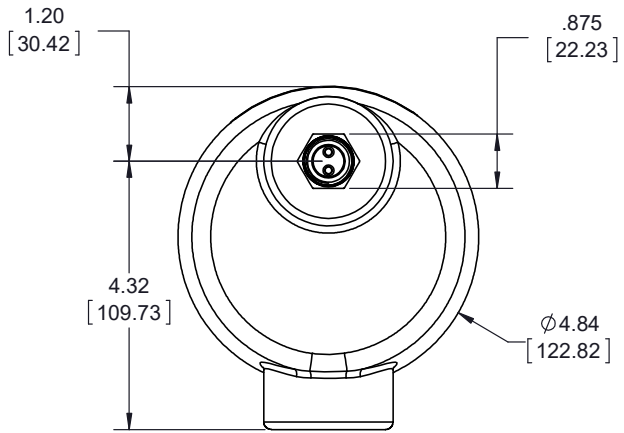


8 7 6 5 4 3 2 1

| REVISIONS | | | | |
|-----------|------|--|---------|----------|
| ZONE | REV. | DESCRIPTION | DATE | APPROVED |
| All | 0 | Initial Release | 14MAY98 | Chidley |
| | 1 | Edited text | 08APR11 | |
| | 2 | Changed footer note, added confidential note, modified title box and rev table. Fixed probe diam. Deleted 24"U'. Added rows on dwg. Fixed Item 2 | 03JUN13 | THD |
| ALL | 3 | Updated probe dimensions | 22OCT18 | BT |



NOTES:

- 1 Standard 'U' lengths available: 1.2", 2", 3", 4", 6", 9", 12" & 18"
- 2 Custom 'U' length:

| | | |
|---|---------------|---------|
| UNLESS OTHERWISE SPECIFIED: | NAME | DATE |
| DIMENSIONS ARE IN INCHES | DRAWN MW | 14MAY13 |
| TOLERANCES: ANGULAR: 0.5° ONE PLACE DECIMAL ±0.1 TWO PLACE DECIMAL ±0.02 THREE PLACE DECIMAL ±0.007 | CHECKED EC | 16MAY13 |
| INTERPRET GEOMETRIC TOLERANCING PER: | ENG APPR. TDH | 03JUN13 |
| MATERIAL | COMMENTS: | |
| FINISH | | |
| DO NOT SCALE DRAWING | | |



TITLE: **CLASSIC 810 Series**
1/2" MNPT; 1.2", 2", 3", 4", 6", 9", 12" & 18" 'U'
Remote Electronics
Mounting Drawing


| SIZE | DWG. NO. | REV |
|----------|---------------------|-----|
| B | D15-810-RAC-XXXX-RE | 3 |

8 7 6 5 4 3 2 1

| ITEM | DESCRIPTION | PART NUMBER | QTY |
|------|--|-------------|-----|
| *1 | Sensor ; 1/2" MNPT | P02-RACXXX | 1 |
| 2 | Flameproof Enclosure (1/2" x 1" FNPT) | | |
| | C/W Terminal Assembly | N10-100A-C | 1 |
| a | <input type="checkbox"/> Glass Lens Cover - Flameproof | M10-1G00 | 1 |
| b | <input checked="" type="checkbox"/> Blind Cover - Flameproof | M10-1B00 | 1 |
| 3 | Remote Terminal Assembly For Sensor Enclosure | 1790-0622-C | 1 |
| 4 | Nameplate, Foil | 2400-0002 | 1 |
| 5 | Nameplate, Overlay | 2401-0001 | 1 |
| | | | |
| | | | |
| | | | |
| | | | |
| | | | |
| | | | |
| | | | |
| | | | |
| | | | |
| | | | |
| | | | |
| | | | |
| | | | |
| | | | |
| | | | |
| | | | |
| | | | |
| | | | |
| | | | |
| | | | |
| | | | |
| | | | |
| | | | |
| | | | |
| | | | |

- *1. Sensor Assembly Selection Guide:**
- P02-RACXXX Where XXXX = Desired 'U' Length in Inches.
- eg. 1.2"U = P02-RAC0012 6"U = P02-RAC0060
 - 2"U = P02-RAC0020 9"U = P02-RAC0090
 - 3"U = P02-RAC0030 12"U = P02-RAC0120
 - 4"U = P02-RAC0040 18"U = P02-RAC0180

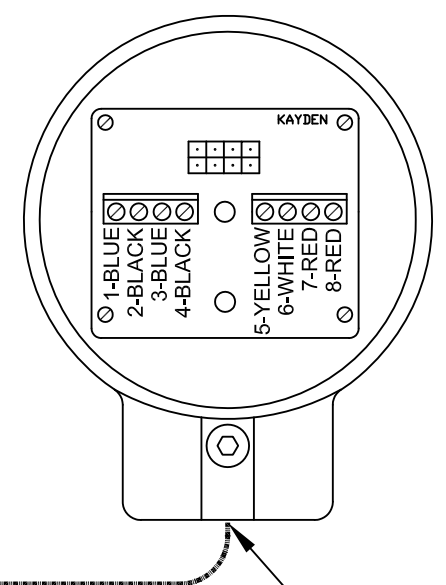
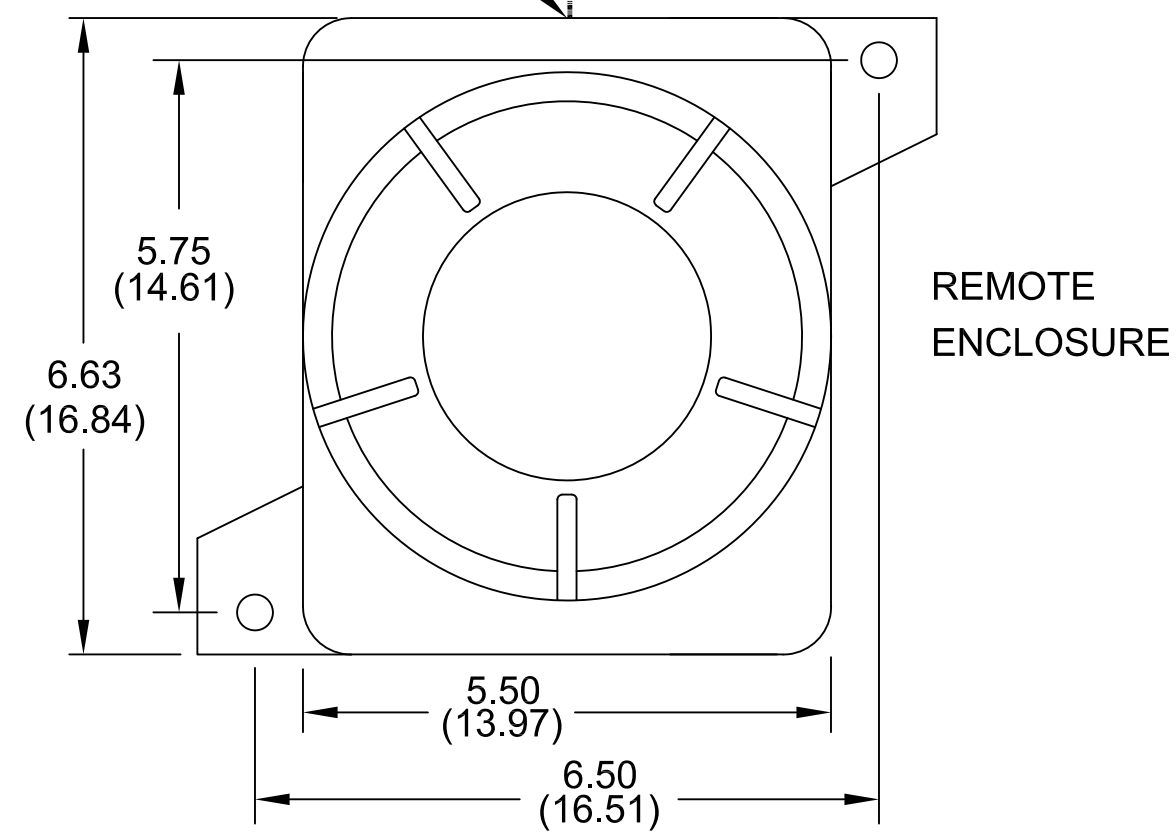
Information contained in this document is confidential and proprietary information of Telematic Controls Inc. This document may not be reproduced or distributed for any reason without express written permission of Telematic Controls Inc. All rights of design, invention and copyright are reserved.

| | | | | | | | | | |
|-----|---|------|---------|---|---------|--|---------------------------------------|-----------------|--|
| | | | | APPROVALS | DATE |  <p>KAYDEN[®] I N S T R U M E N T S</p> | | | |
| | | | | DRN MW | 15MAY13 | | | | |
| | | | | CHKD EC | 17MAY13 | | | | |
| | | | | APP TDH | 03JUN13 | | | | |
| | | | | All dimensions are shown in inches with cm shown in brackets | | TITLE Part List - CLASSIC 810 Series 1/2" MNPT; 1.2", 2", 3", 4", 6", 9", 12" & 18" 'U' Remote Electronics | | | |
| | | | | TOLERANCES ARE: | | SIZE A3 | DWG NO. D15-810-RAC-XXXX-RE | REV 3 | |
| | | | | DECIMALS ANGLES | | | | | |
| | | | | .X ± 0.1 | ±0.5° | SCALE NTS SHEET 2 OF 4 | | | |
| | | | | .XX ± 0.02 | | | | | |
| | | | | .XXX ± 0.007 | | | | | |
| Rev | Description | App. | Date | | | | | | |
| 0 | Initial release | HO | 13Jun02 | | | | | | |
| 1 | Edited text | | 08Apr11 | | | | | | |
| 2 | Changed footer note. Added confidential note. Modified Title box & Rev. Table. Fixed Item2. Added rows. | TDH | 03Jun13 | | | | | | |
| 3 | Updated probe dimensions | BT | 25OCT18 | | | | | | |

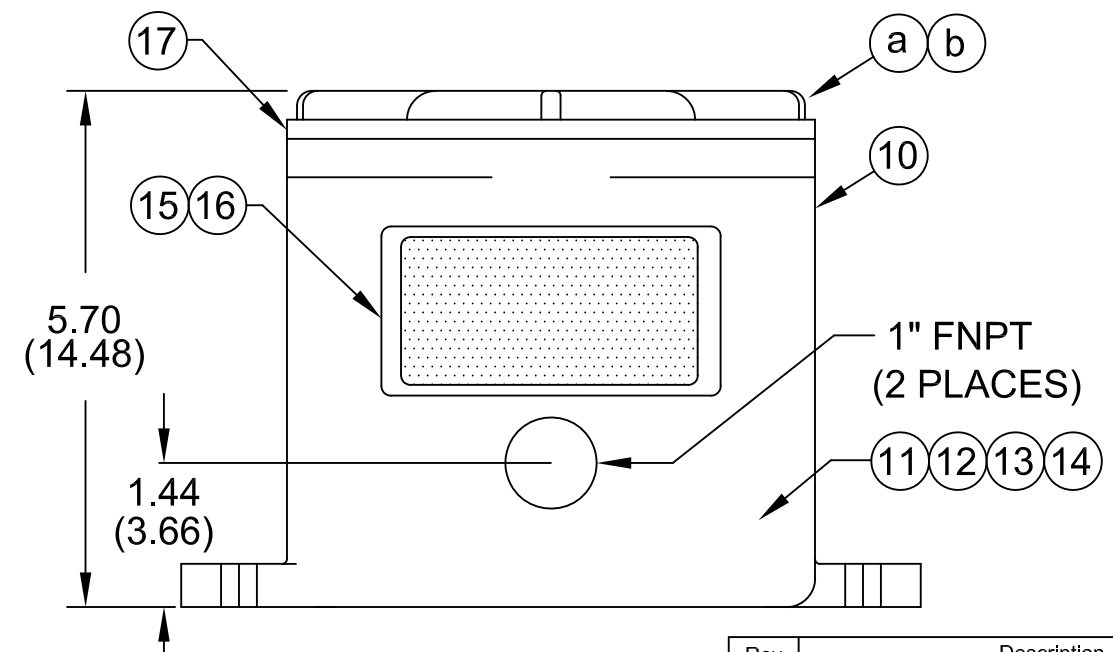
1" FNPT ELECTRONIC CONNECTION

FIELD WIRING

SENSOR ENCLOSURE



1" FNPT ELECTRICAL CONNECTION



Information contained in this document is confidential and proprietary information of Telematic Controls Inc. This document may not be reproduced or distributed for any reason without express written permission of Telematic Controls Inc. All rights of design, invention and copyright are reserved.

| APPROVALS | DATE |
|-----------|---------|
| DRN MW | 13MAY13 |
| CHKD EC | 21MAY13 |
| APP TDH | 03JUN13 |

KAYDEN[®]
INSTRUMENTS

All dimensions are shown in inches with cm shown in brackets

TOLERANCES ARE:

| DECIMALS | ANGLES |
|--------------|--------|
| .X ± 0.1 | ±0.5° |
| .XX ± 0.02 | |
| .XXX ± 0.007 | |

TITLE: CLASSIC Series Remote Electronics Flameproof Enclosure (CSA)

SIZE A3 | DWG NO. 7730-0000-1-CSA | REV 0


SCALE NTS | SHEET 3 OF 4

| Rev | Description | App. | Date |
|-----|-----------------|------|---------|
| 0 | Initial release | TDH | 03Jun13 |
| | | | |
| | | | |
| | | | |
| | | | |
| | | | |
| | | | |

NOTES:
1. Wire according to connection diagram.

| ITEM | DESCRIPTION | PART NUMBER | QTY |
|------|--|-------------|-----|
| 10 | Flameproof Remote Enclosure | 1409-1201 | 1 |
| a | <input type="checkbox"/> Glass Lens Cover - Flameproof | 1409-1208 | 1 |
| b | <input type="checkbox"/> Blind Cover - Flameproof | 1409-1207 | 1 |
| 11 | Terminal Assembly | 2511-0012 | 1 |
| 12 | Ground Screw | 2540-0023 | 1 |
| 13 | CLASSIC Electronics Module (12-24 VDC, 115-230 VAC) | L10-800-C-E | 1 |
| 14 | Mounting Screws (316 SS) | 2540-0007 | 2 |
| 15 | Nameplate, Foil | 2400-0007 | 1 |
| 16 | Nameplate, Overlay | 2401-0001 | 1 |
| 17 | Cover Gasket | 1499-1301 | 1 |
| | | | |
| | | | |
| | | | |
| | | | |
| | | | |
| | | | |
| | | | |
| | | | |
| | | | |
| | | | |
| | | | |
| | | | |
| | | | |
| | | | |
| | | | |
| | | | |
| | | | |
| | | | |
| | | | |

Information contained in this document is confidential and proprietary information of Telematic Controls Inc. This document may not be reproduced or distributed for any reason without express written permission of Telematic Controls Inc. All rights of design, invention and copyright are reserved.

| <table border="1"> <tr> <td>Rev</td> <td>Description</td> <td>App.</td> <td>Date</td> </tr> <tr> <td>0</td> <td>Initial release</td> <td>TDH</td> <td>03Jun13</td> </tr> <tr><td> </td><td> </td><td> </td><td> </td></tr> <tr><td> </td><td> </td><td> </td><td> </td></tr> <tr><td> </td><td> </td><td> </td><td> </td></tr> <tr><td> </td><td> </td><td> </td><td> </td></tr> <tr><td> </td><td> </td><td> </td><td> </td></tr> <tr><td> </td><td> </td><td> </td><td> </td></tr> <tr><td> </td><td> </td><td> </td><td> </td></tr> <tr><td> </td><td> </td><td> </td><td> </td></tr> </table> | | | | Rev | Description | App. | Date | 0 | Initial release | TDH | 03Jun13 | | | | | | | | | | | | | | | | | | | | | | | | | | | | | | | | | <table border="1"> <tr> <th>APPROVALS</th> <th>DATE</th> </tr> <tr> <td>DRN MW</td> <td>13MAY13</td> </tr> <tr> <td>CHKD EC</td> <td>21MAY13</td> </tr> <tr> <td>APP TDH</td> <td>03JUN13</td> </tr> </table> | | APPROVALS | DATE | DRN MW | 13MAY13 | CHKD EC | 21MAY13 | APP TDH | 03JUN13 |  | |
|---|---|----------|--|-----------|-----------------|--------------|---------|------------|-----------------|--------------|---------|--|--|-------|---|--|------------|----------------------------|----------|--|--|--|--|--|--|--|--|--|--|--|--|--|--|--|--|--|--|--|--|--|--|--|--|---|--|-----------|------|--------|---------|---------|---------|---------|---------|---|--|
| | | | | Rev | Description | App. | Date | | | | | | | | | | | | | | | | | | | | | | | | | | | | | | | | | | | | | | | | | | | | | | | | |
| | | | | 0 | Initial release | TDH | 03Jun13 | | | | | | | | | | | | | | | | | | | | | | | | | | | | | | | | | | | | | | | | | | | | | | | | |
| | | | | | | | | | | | | | | | | | | | | | | | | | | | | | | | | | | | | | | | | | | | | | | | | | | | | | | | |
| | | | | | | | | | | | | | | | | | | | | | | | | | | | | | | | | | | | | | | | | | | | | | | | | | | | | | | | |
| | | | | | | | | | | | | | | | | | | | | | | | | | | | | | | | | | | | | | | | | | | | | | | | | | | | | | | | |
| | | | | | | | | | | | | | | | | | | | | | | | | | | | | | | | | | | | | | | | | | | | | | | | | | | | | | | | |
| | | | | | | | | | | | | | | | | | | | | | | | | | | | | | | | | | | | | | | | | | | | | | | | | | | | | | | | |
| | | | | | | | | | | | | | | | | | | | | | | | | | | | | | | | | | | | | | | | | | | | | | | | | | | | | | | | |
| | | | | | | | | | | | | | | | | | | | | | | | | | | | | | | | | | | | | | | | | | | | | | | | | | | | | | | | |
| | | | | | | | | | | | | | | | | | | | | | | | | | | | | | | | | | | | | | | | | | | | | | | | | | | | | | | | |
| APPROVALS | DATE | | | | | | | | | | | | | | | | | | | | | | | | | | | | | | | | | | | | | | | | | | | | | | | | | | | | | | |
| DRN MW | 13MAY13 | | | | | | | | | | | | | | | | | | | | | | | | | | | | | | | | | | | | | | | | | | | | | | | | | | | | | | |
| CHKD EC | 21MAY13 | | | | | | | | | | | | | | | | | | | | | | | | | | | | | | | | | | | | | | | | | | | | | | | | | | | | | | |
| APP TDH | 03JUN13 | | | | | | | | | | | | | | | | | | | | | | | | | | | | | | | | | | | | | | | | | | | | | | | | | | | | | | |
| <p>All dimensions are shown in inches with cm shown in brackets</p> <p>TOLERANCES ARE:</p> <table border="0"> <tr> <td>DECIMALS</td> <td>ANGLES</td> </tr> <tr> <td>.X ± 0.1</td> <td>±0.5°</td> </tr> <tr> <td>.XX ± 0.02</td> <td></td> </tr> <tr> <td>.XXX ± 0.007</td> <td></td> </tr> </table> | | | | DECIMALS | ANGLES | .X ± 0.1 | ±0.5° | .XX ± 0.02 | | .XXX ± 0.007 | | <table border="1"> <tr> <td>TITLE</td> <td colspan="2">Parts List - CLASSIC Series Remote Electronics Flameproof Enclosure (CSA)</td> </tr> <tr> <td>SIZE A3</td> <td>DWG NO. 7730-0000-2-CSA</td> <td>REV 0</td> </tr> </table> | | TITLE | Parts List - CLASSIC Series Remote Electronics Flameproof Enclosure (CSA) | | SIZE A3 | DWG NO. 7730-0000-2-CSA | REV 0 | | | | | | | | | | | | | | | | | | | | | | | | | | | | | | | | | | | | |
| DECIMALS | ANGLES | | | | | | | | | | | | | | | | | | | | | | | | | | | | | | | | | | | | | | | | | | | | | | | | | | | | | | |
| .X ± 0.1 | ±0.5° | | | | | | | | | | | | | | | | | | | | | | | | | | | | | | | | | | | | | | | | | | | | | | | | | | | | | | |
| .XX ± 0.02 | | | | | | | | | | | | | | | | | | | | | | | | | | | | | | | | | | | | | | | | | | | | | | | | | | | | | | | |
| .XXX ± 0.007 | | | | | | | | | | | | | | | | | | | | | | | | | | | | | | | | | | | | | | | | | | | | | | | | | | | | | | | |
| TITLE | Parts List - CLASSIC Series Remote Electronics Flameproof Enclosure (CSA) | | | | | | | | | | | | | | | | | | | | | | | | | | | | | | | | | | | | | | | | | | | | | | | | | | | | | | |
| SIZE A3 | DWG NO. 7730-0000-2-CSA | REV 0 | | | | | | | | | | | | | | | | | | | | | | | | | | | | | | | | | | | | | | | | | | | | | | | | | | | | | |
| | | | | SCALE NTS | | SHEET 4 OF 4 | | | | | | | | | | | | | | | | | | | | | | | | | | | | | | | | | | | | | | | | | | | | | | | | | |