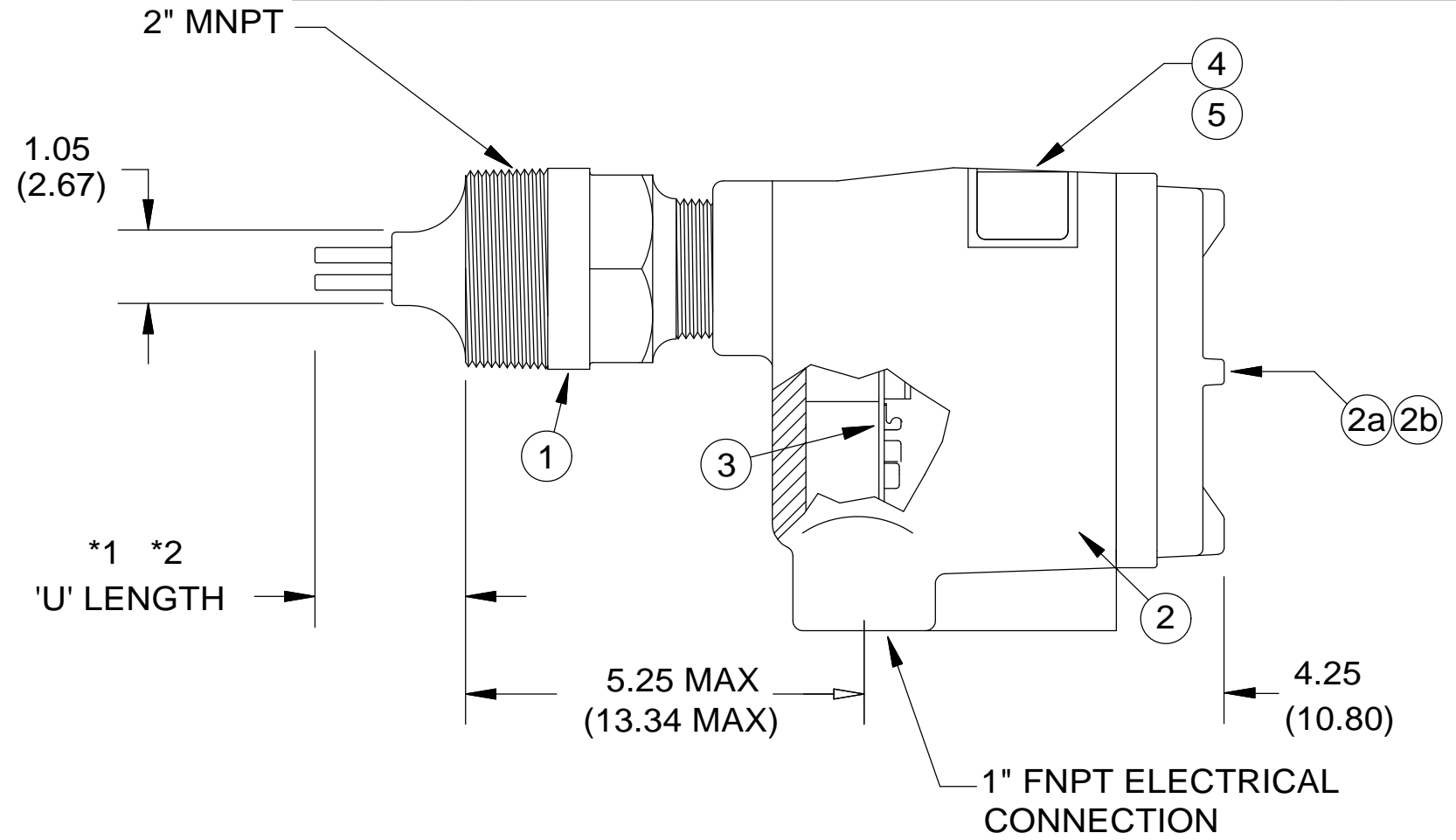
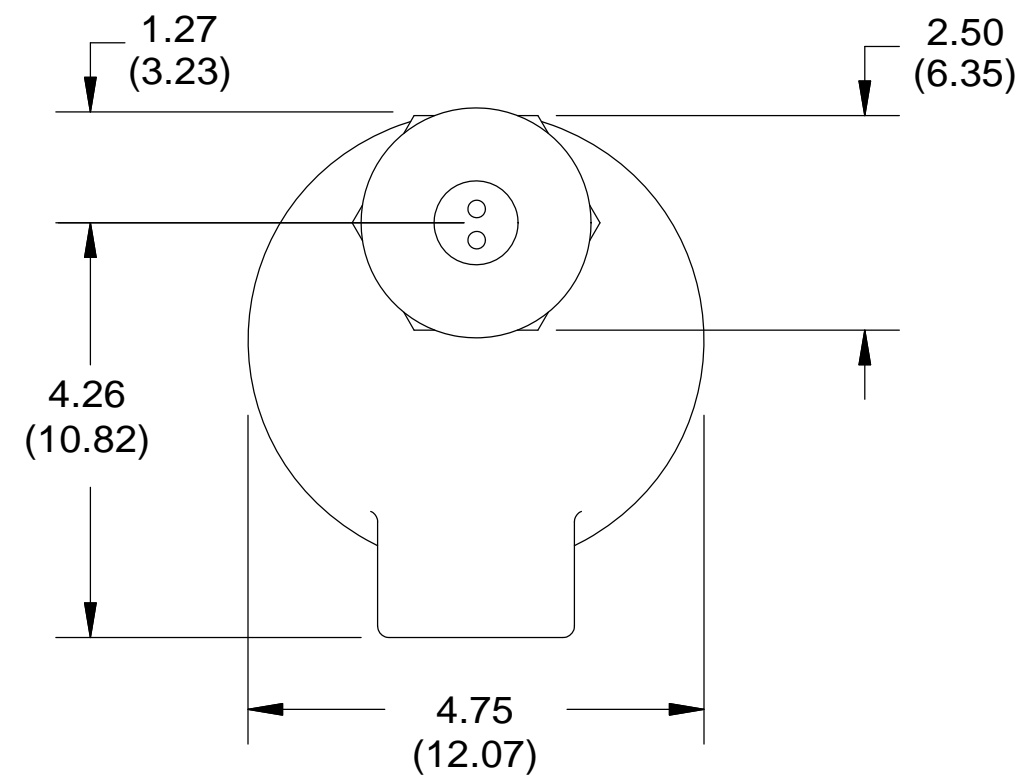


8 7 6 5 4 3 2 1

REVISIONS				
ZONE	REV.	DESCRIPTION	DATE	APPROVED
All	0	Initial Release	14MAY98	Chidley
	1	Edited text	26JAN11	
	2	Edited dimensions	31MAR11	
	3	Changed footer note, added confidential note, modified title, title box and rev table. Deleted 24" 'U'.	03JUN13	THD

D  
I  
C  
B  
A

D  
C  
B  
A



**NOTES:**

- \*1. Standard 'U' lengths available: 1.2", 2", 3", 4", 6", 9", 12" & 18"
- \*2. Custom 'U' length:

UNLESS OTHERWISE SPECIFIED:		NAME	DATE
DIMENSIONS ARE IN INCHES	DRAWN	MW	13MAY13
TOLERANCES: ANGULAR: 0.5°	CHECKED	EC	17MAY13
ONE PLACE DECIMAL ±0.1	ENG APPR.	TDH	03JUN13
TWO PLACE DECIMAL ±0.02			
THREE PLACE DECIMAL ±0.007			
INTERPRET GEOMETRIC TOLERANCING PER:	COMMENTS:		
MATERIAL			
FINISH			
DO NOT SCALE DRAWING			



TITLE:  
**CLASSIC 810 Series**  
 2" MNPT; 1.2", 2", 3", 4", 6", 9", 12" & 18" 'U'  
 Local Electronics  
 Mounting Drawing

SIZE	DWG. NO.	REV
<b>B</b>	D15-810-RAHXXXX-LE	<b>3</b>


8 7 6 5 4 3 2 1

BOM			
ITEM	DESCRIPTION	PART NUMBER	QTY
*1	Sensor, 2" MNPT	P02-RAHXXXX	1
2	Flameproof Enclosure (1 1/4" x 1" FNPT) c/w Terminal Assembly	N10-100A-FGH	1
2a	<input checked="" type="checkbox"/> Glass Lens Cover - Flameproof	M10-1G00	1
2b	<input type="checkbox"/> Blind Cover - Flameproof	M10-1B00	1
3	CLASSIC Electronics Module (12-24 VDC, 115-230 VAC)	L10-800-C-E	1
4	Nameplate, Foil	2400-0002	1
5	Nameplate, Overlay	2401-0001	1

**\*1. Sensor Assembly Selection Guide:**

P02-RAHXXXX Where XXXX = Desired 'U' Length in Inches.

eg. 1.2"U = P02-RAH0012	6"U = P02-RAH0060
2"U = P02-RAH0020	9"U = P02-RAH0090
3"U = P02-RAH0030	12"U = P02-RAH0120
4"U = P02-RAH0040	18"U = P02-RAH0180

UNLESS OTHERWISE SPECIFIED:		NAME	DATE		
DIMENSIONS ARE IN INCHES		DRAWN	MW		13MAY13
TOLERANCES: ANGULAR: 0.5°		CHECKED	EC		17MAY13
ONE PLACE DECIMAL ±0.1 TWO PLACE DECIMAL ±0.02 THREE PLACE DECIMAL ±0.007		ENG APPR.	TDH		03JUN13
INTERPRET GEOMETRIC TOLERANCING PER:				TITLE:	
MATERIAL		COMMENTS:		<b>Parts List - CLASSIC 810 Series</b> 2" MNPT; 1.2", 2", 3", 4", 6", 9", 12" & 18" 'U' Local Electronics	
FINISH		SIZE	DWG. NO.	REV	
DO NOT SCALE DRAWING		<b>B</b>	D15-810-RAHXXXX-LE	<b>3</b>	
KAYDEN INSTRUMENTS		SCALE: NTS	WEIGHT:	SHEET 2 OF 2	