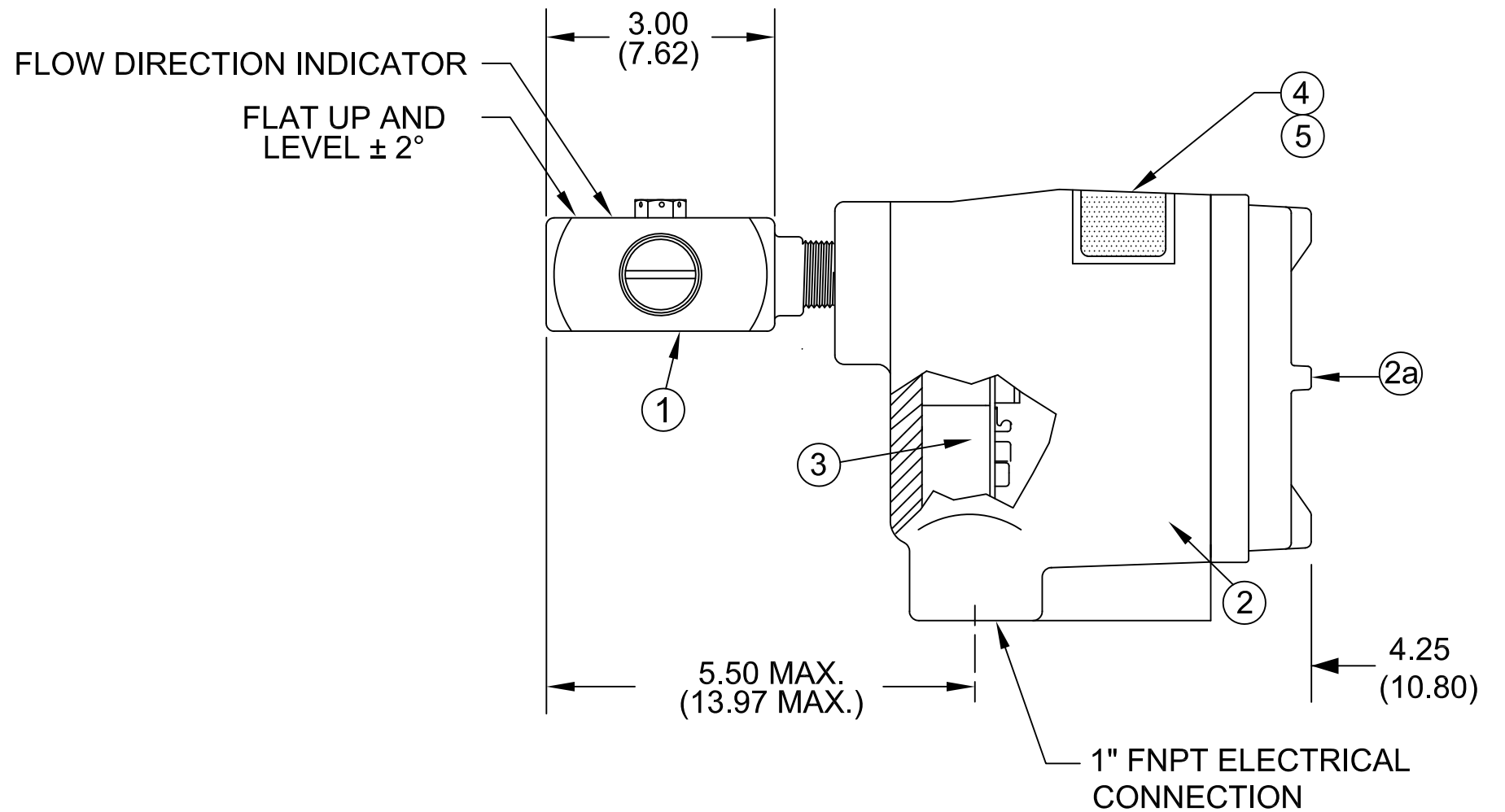
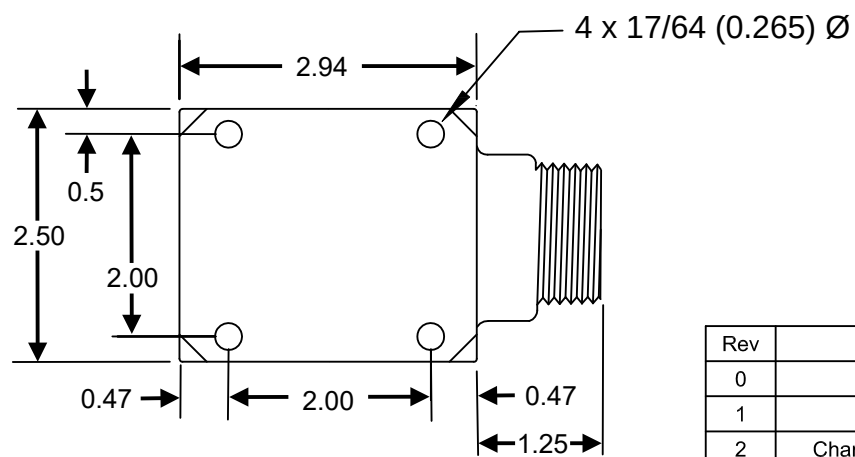


DETAIL - MOUNTING HOLES



Information contained in this document is confidential and proprietary information of Telematic Controls Inc. This document may not be reproduced or distributed for any reason without express written permission of Telematic Controls Inc. All rights of design, invention and copyright are reserved.

APPROVALS		DATE			
DRN	MW	15MAY13			
CHKD	EC	23MAY13			
APP	TDH	04Jun13	TITLE CLASSIC 830 Series Threaded InLine Horizontal with Bleed Port Local Electronics		
All dimensions are shown in inches with cm shown in brackets TOLERANCES ARE: DECIMALS ANGLES .X ± 0.1 ±0.5° .XX ± 0.02 .XXX ± 0.007			SIZE A3	DWG NO. D15-830-RA3D-0035AH-1	REV 3
SCALE NTS			SHEET 1 OF 2		

Rev	Description	App.	Date
0	Initial release	Chidley	16Jul02
1	Edited text		25Jan11
2	Changed footer note. Added confidential note. Modified Title box & Rev. Table	TDH	04Jun13
3	Added sensor mounting hole locations	DRS	22Oct24

