

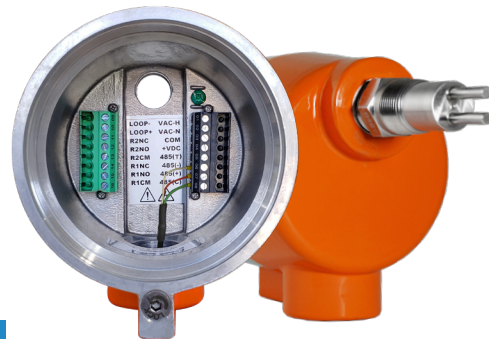


# KA1 USB-RS485

USB to RS485 Converter Cable

## Product Introduction

This cable is used to connect a Kayden Classic Flow, Level, Interface Switch to a computer in order to use Kayden's Remote Control & Monitoring (RCM) Software. The built in RS485 to USB converter allows you to connect for communication, diagnostic and monitoring purposes.

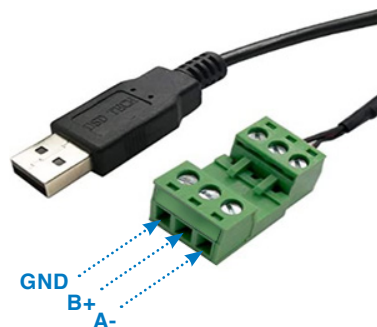


USB-RS485 Converter Cable

## Features

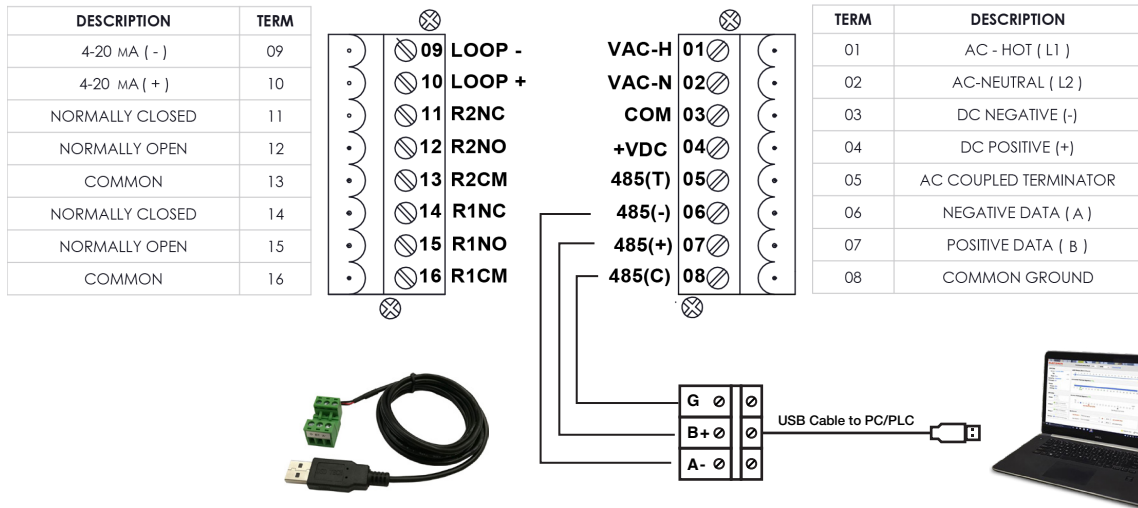
- FTDI FT232RL... Built in 15KVESD and TVS overvoltage protection
- Built in 3-pin terminal board
- Allows up to 32 slave devices
- Windows 2000, XP, Vista, Windows 7, 8, 9, 10, Mac OSX

## Pin Out Definitions



- **A-:** RS485(-)
- **B+:** RS485(+)
- **GND:** Ground (Optional)

**Wiring**



**Drivers**

How to install your driver.

3 Options:

1. Some computers will automatically download the required driver.
2. Google “**FTDI driver**” you may find VCP FTDI Drivers from FTDI Chip website.
3. Visit <https://ftdichip.com/drivers/vcp-drivers/> and download the appropriate driver for your operating system.

**Contact Us**

**Telephone**

1 (403) 253-1423  
001 403 253-1423

**Fax**

1 (403) 255-0042 North America  
001 403 255-0042 International

**E-Mail**

info@kayden.com

**Web**

kayden.com

**Hours** Monday – Friday 8:00 a.m. – 5:00 p.m. MST

**Mailing Address** 3364–114th Avenue S.E., Calgary, Alberta, Canada T2Z 3V6

For more information about the CLASSIC Series or any of Kayden’s other products, please visit [kayden.com](http://kayden.com)