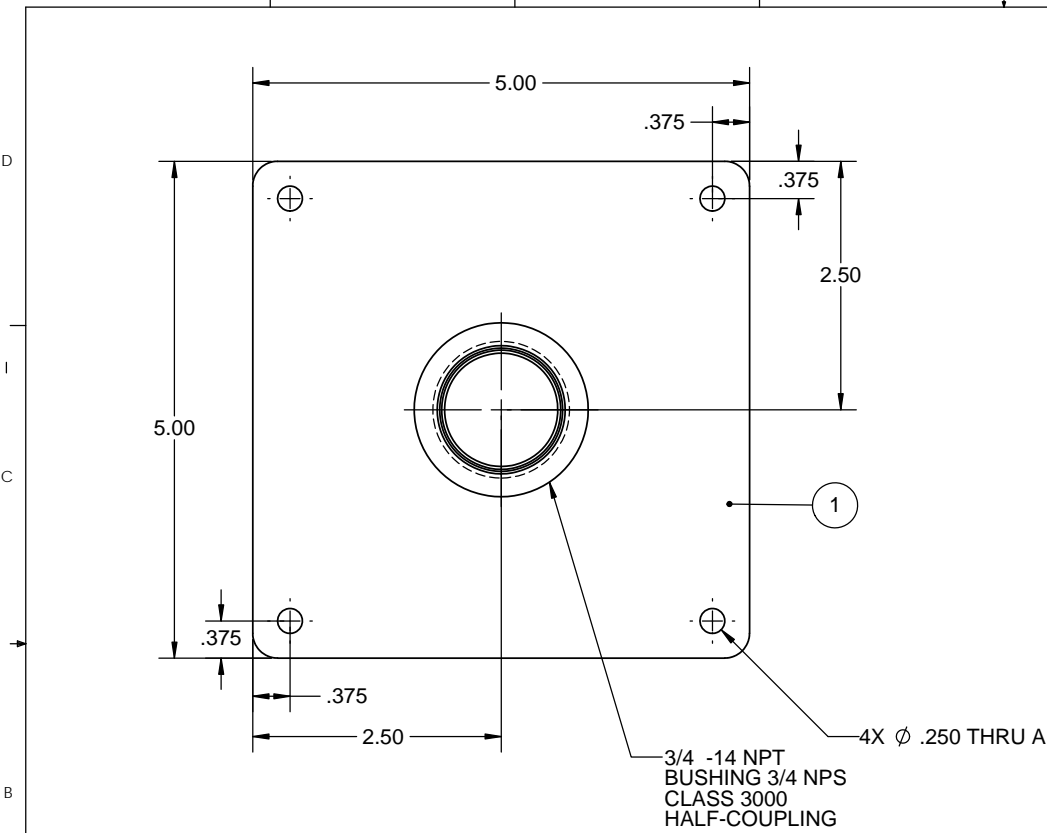
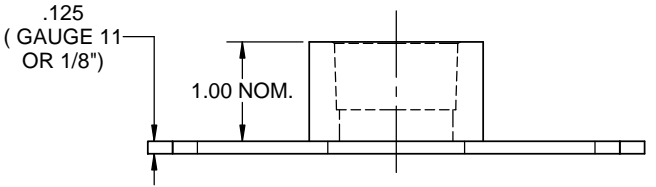
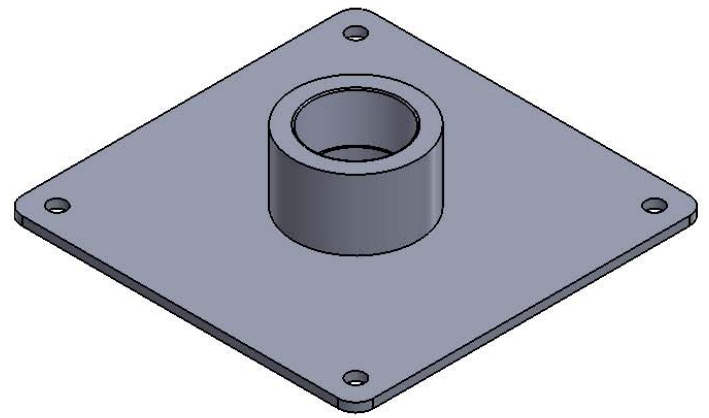


8 7 6 5 4 3 2 1



REVISIONS				
ZONE	REV.	DESCRIPTION	DATE	APPROVED
All	0	INITIAL RELEASE	07APR15	MR

BOM				
ITEM	QTY	PN - MATLIST	MATERIAL SPECIFICATION	DESCRIPTION
1	1	2551-0075 -2	CARBON STEEL	11 GA OR 1/8" CARBON STEEL SHEET, 3/4" - 14 NPT BUSHING 3/4 NPS CLASS 3000 HALF-COUPLING



- NOTES:**
- EPOXY POWDER COAT BLACK.
  - HALF-COUPLING IS STANDARD AS PER ASME B16.11

UNLESS OTHERWISE SPECIFIED:		NAME	DATE
DIMENSIONS ARE IN INCHES TOLERANCES: ANGULAR: 0.5° ONE PLACE DECIMAL ±0.030 TWO PLACE DECIMAL ±0.015 THREE PLACE DECIMAL ±0.005	DRAWN	ERC	09APR15
	MFG. APPR.	BT	09APR16
	Q.A. APPR.	MR	09APR16
INTERPRET GEOMETRIC TOLERANCING PER:			
MATERIAL	COMMENTS:		
FINISH			
DO NOT SCALE DRAWING			



TITLE		
<b>3/4 FNPT DUCT MOUNTING PLATE</b>		

SIZE	DWG. NO.	REV
<b>B</b>	<b>2551-0075-WEB</b>	<b>0</b>

8 7 6 5 4 3 2 1