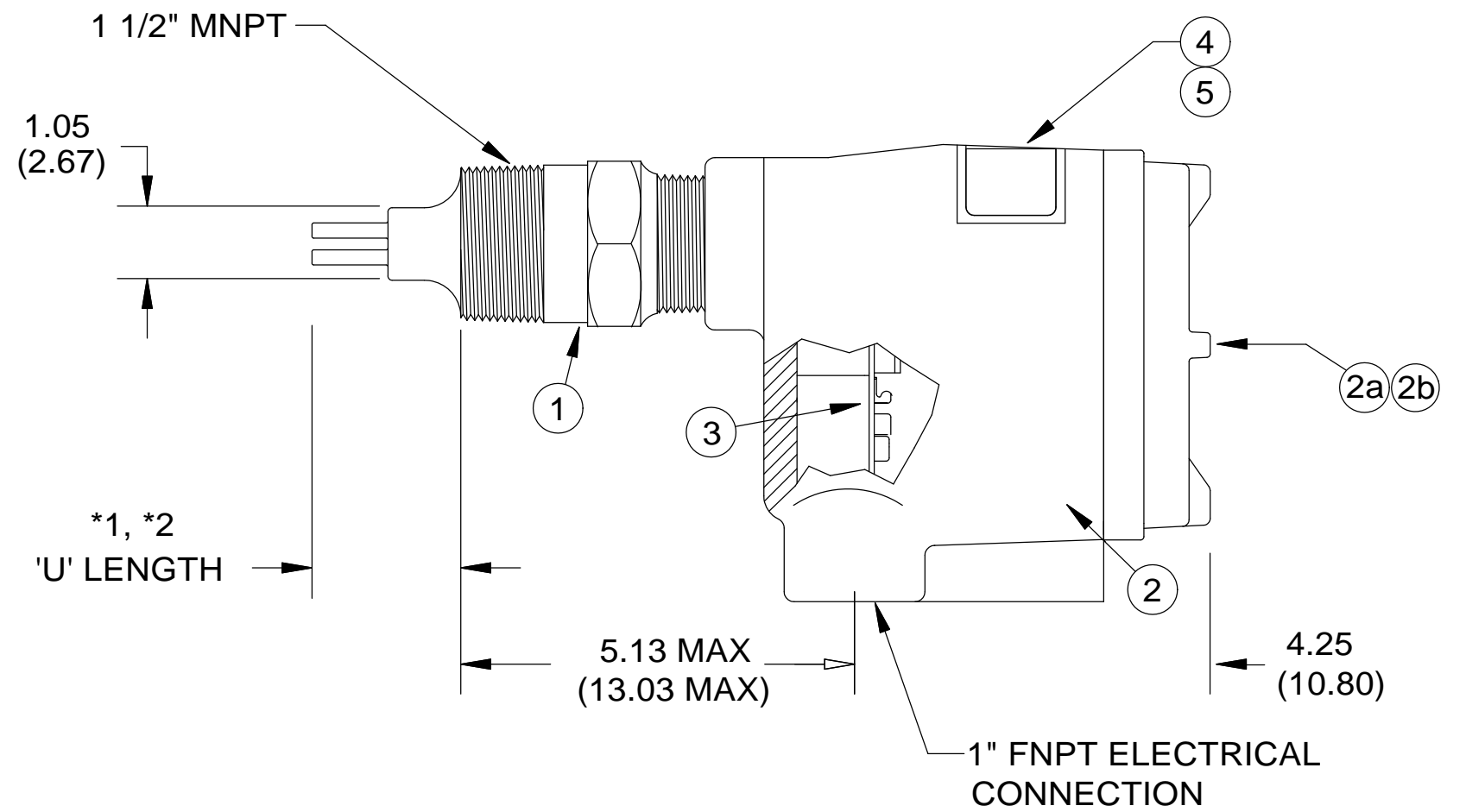
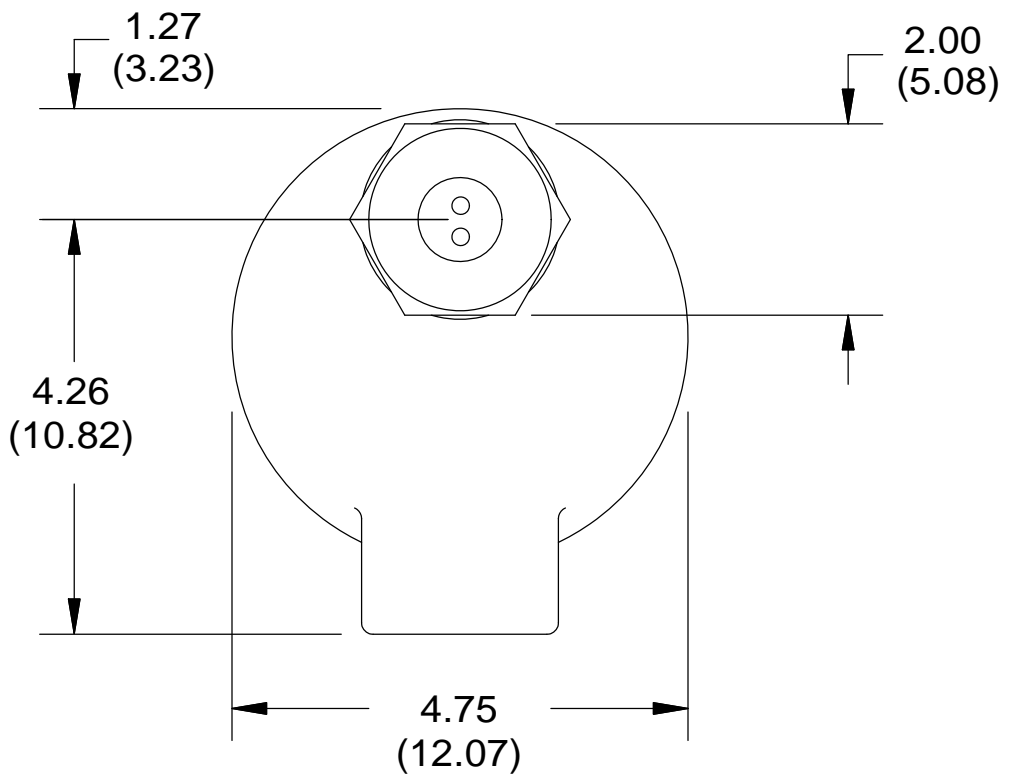


REVISIONS				
ZONE	REV.	DESCRIPTION	DATE	APPROVED
All	0	Initial Release	14MAY98	Chidley
	1	Edited text	26JAN11	
	2	Edited dimensions	31MAR11	
	3	Changed footer note, added confidential note, modified title, title box and rev table. Deleted 24" 'U'.	03JUN13	THD



NOTES:

- *1. Standard 'U' lengths available: 1.2", 2", 3", 4", 6", 9", 12" & 18"
- *2. Custom 'U' length:

UNLESS OTHERWISE SPECIFIED:		NAME	DATE
DIMENSIONS ARE IN INCHES	DRAWN	MW	14MAY13
TOLERANCES: ANGULAR: 0.5°	CHECKED	EC	17MAY13
ONE PLACE DECIMAL ±0.1	ENG APPR.	TDH	03JUN13
TWO PLACE DECIMAL ±0.02			
THREE PLACE DECIMAL ±0.007			
INTERPRET GEOMETRIC TOLERANCING PER:	COMMENTS:		
MATERIAL			
FINISH			
DO NOT SCALE DRAWING			



TITLE:
CLASSIC 810 Series
 1 1/2" MNPT; 1.2", 2", 3", 4", 6", 9", 12" & 18" 'U'
 Local Electronics
 Mounting Drawing


SIZE	DWG. NO.	REV
B	D15-810-RAGXXXX-LE	3

BOM			
ITEM	DESCRIPTION	PART NUMBER	QTY
*1	Sensor, 1 1/2" MNPT	P02-RAGXXXX	1
2	Flameproof Enclosure (1 1/4" x 1" FNPT) c/w Terminal Assembly	N10-100A-FGH	1
2a	<input checked="" type="checkbox"/> Glass Lens Cover - Flameproof	M10-1G00	1
2b	<input type="checkbox"/> Blind Cover - Flameproof	M10-1B00	1
3	CLASSIC Electronics Module (12-24 VDC, 115-230 VAC)	L10-800-C-E	1
4	Nameplate, Foil	2400-0002	1
5	Nameplate, Overlay	2401-0001	1

***1. Sensor Assembly Selection Guide:**

P02-RAGXXXX Where XXXX = Desired 'U' Length in Inches.

eg. 1.2"U = P02-RAG0012	6"U = P02-RAG0060
2"U = P02-RAG0020	9"U = P02-RAG0090
3"U = P02-RAG0030	12"U = P02-RAG0120
4"U = P02-RAG0040	18"U = P02-RAG0180

UNLESS OTHERWISE SPECIFIED:		NAME	DATE		
DIMENSIONS ARE IN INCHES		DRAWN	MW		14MAY13
TOLERANCES: ANGULAR: 0.5° ONE PLACE DECIMAL ±0.1 TWO PLACE DECIMAL ±0.02 THREE PLACE DECIMAL ±0.007		CHECKED	EC		17MAY13
INTERPRET GEOMETRIC TOLERANCING PER:		ENG APPR.	TDH		03JUN13
MATERIAL		COMMENTS:		TITLE: Parts List - CLASSIC 810 Series 1 1/2" MNPT; 1.2", 2", 3", 4", 6", 9", 12" & 18" 'U' Local Electronics	
FINISH		SIZE		DWG. NO.	REV
DO NOT SCALE DRAWING		B		D15-810-RAGXXXX-LE	3
KAYDEN INSTRUMENTS		SCALE: NTS		WEIGHT:	SHEET 2 OF 2