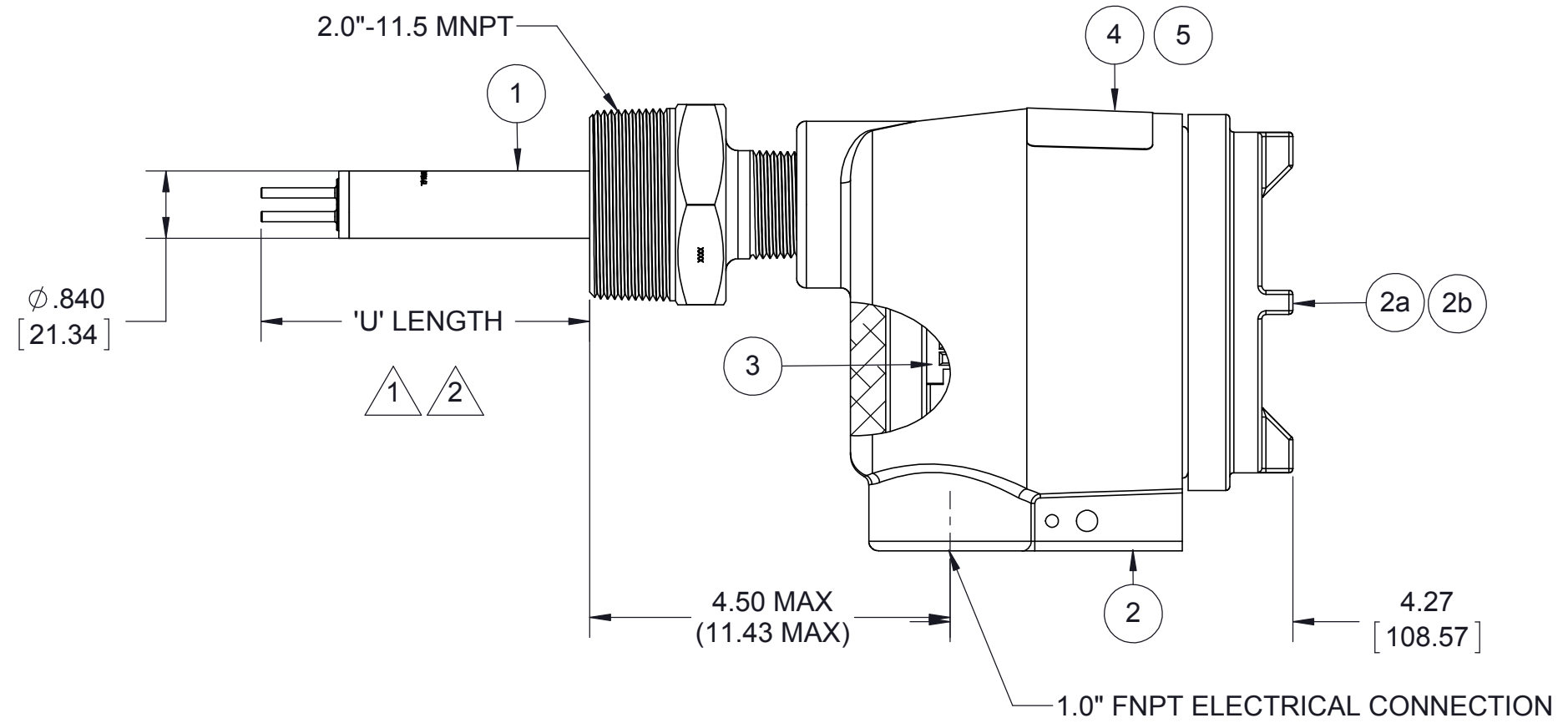
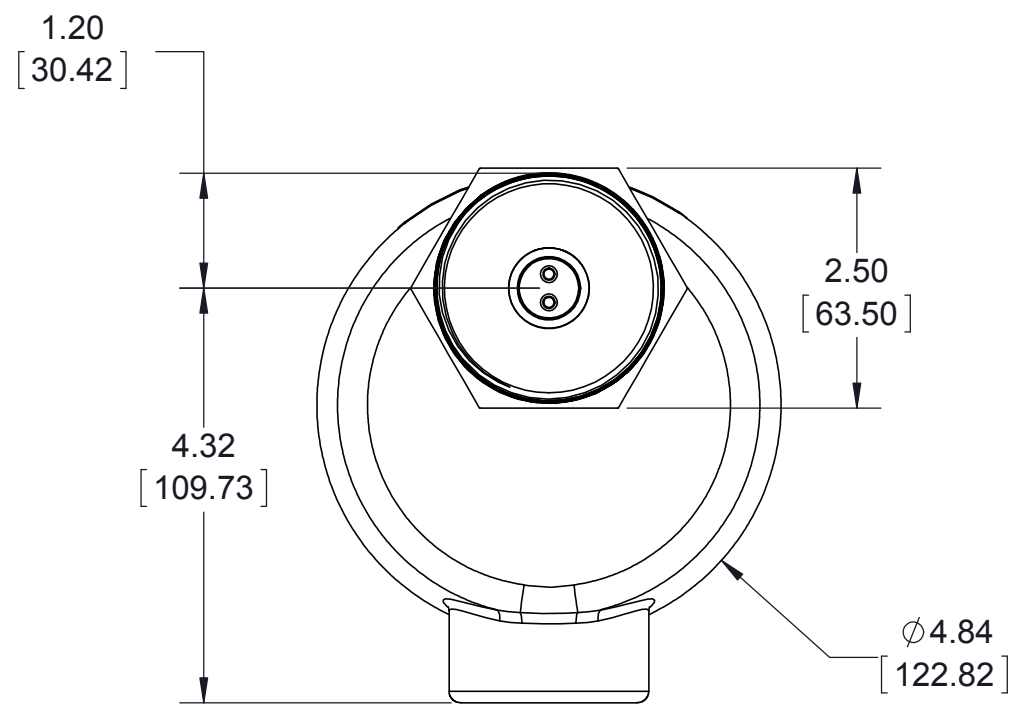


8 7 6 5 4 3 2 1

REVISIONS				
ZONE	REV.	DESCRIPTION	DATE	APPROVED
All	0	Initial Release	14MAY98	Chidley
	1	Edited text	26JAN11	
	2	Edited dimensions	31MAR11	
	3	Changed footer note, added confidential note, modified title, title box and rev table. Deleted 24"U'.	03JUN13	THD
ALL	4	UPDATED TO NEWEST VERSION PROBE.	26OCT18	

D  
C  
B  
A



**NOTES:**

- 1 Standard 'U' lengths available: 1.2", 2", 3", 4", 6", 9", 12" & 18"
- 2 Custom 'U' length:

UNLESS OTHERWISE SPECIFIED:	NAME	DATE
DIMENSIONS ARE IN INCHES	DRAWN MW	13MAY13
TOLERANCES: ANGULAR: 0.5° ONE PLACE DECIMAL ±0.1 TWO PLACE DECIMAL ±0.02 THREE PLACE DECIMAL ±0.007	CHECKED EC	17MAY13
INTERPRET GEOMETRIC TOLERANCING PER:	ENG APPR. TDH	03JUN13
MATERIAL	COMMENTS:	
FINISH		
DO NOT SCALE DRAWING		



TITLE:  
**CLASSIC 810 Series**  
 2" MNPT; 1.2", 2", 3", 4", 6", 9", 12" & 18" 'U'  
 Local Electronics  
 Mounting Drawing

SIZE	DWG. NO.	REV
<b>B</b>	D15-810-RAH-XXXX-LE	<b>4</b>

8 7 6 5 4 3 2 1

BOM			
ITEM	DESCRIPTION	PART NUMBER	QTY
*1	Sensor, 2" MNPT	P02-RAH-XXXX-X	1
2	Flameproof Enclosure (1" x 1" FNPT) c/w Terminal Assembly	N10-100-A-E	1
2a	<input checked="" type="checkbox"/> Glass Lens Cover - Flameproof	M10-1G00	1
2b	<input type="checkbox"/> Blind Cover - Flameproof	M10-1B00	1
3	CLASSIC Electronics Module (12-24 VDC, 115-230 VAC)	L10-800-C-E	1
4	Nameplate, Foil	2400-0002	1
5	Nameplate, Overlay	2401-0001	1

**\*1. Sensor Assembly Selection Guide:**

P02-RAHXXXX Where XXXX = Desired 'U' Length in Inches.

eg. 1.2"U = P02-RAH-0012	6"U = P02-RAH-0060
2"U = P02-RAH-0020	9"U = P02-RAH-0090
3"U = P02-RAH-0030	12"U = P02-RAH-0120
4"U = P02-RAH-0040	18"U = P02-RAH-0180

UNLESS OTHERWISE SPECIFIED:		NAME	DATE
DIMENSIONS ARE IN INCHES	DRAWN	MW	13MAY13
TOLERANCES: ANGULAR: 0.5°	CHECKED	EC	17MAY13
ONE PLACE DECIMAL ±0.1	ENG APPR.	TDH	03JUN13
TWO PLACE DECIMAL ±0.02			
THREE PLACE DECIMAL ±0.007			
INTERPRET GEOMETRIC TOLERANCING PER:	COMMENTS:		
MATERIAL			
FINISH			
DO NOT SCALE DRAWING			

**KAYDEN**<sup>®</sup>  
I N S T R U M E N T S

TITLE:

**Parts List - CLASSIC 810 Series**  
2" MNPT; 1.2", 2", 3", 4", 6", 9", 12" & 18" 'U'  
Local Electronics

SIZE	DWG. NO.	REV
<b>B</b>	D15-810-RAH-XXXX-LE	<b>4</b>

SCALE: NTS	WEIGHT:	SHEET 2 OF 2
------------	---------	--------------