

NOTES:

- 1. ① to ⑯ see parts list (D15-816-RAET-XXXX-4).
- ② Customer specified 'U' length.
- ③ Install top and bottom mounted units in horizontal pipe with flow arrow \longleftrightarrow parallel to flow direction.

Information contained in this document is confidential and proprietary information of Telematic Controls Inc. This document may not be reproduced or distributed for any reason without express written permission of Telematic Controls Inc. All rights of design, invention and copyright are reserved.

Rev	Description	App.	Date
0	Initial release	Chidley	14May98
1	Edited text		08Apr11
2	Changed footer note. Added confidential note. Modified Title box & Rev. Table. Modified notes. Deleted 4 triangle and dim.	TDH	03Jun13

APPROVALS		DATE
DRN	MW	17MAY13
CHKD	EC	23MAY13
APP	TDH	03JUN13

All dimensions are shown in inches with cm shown in brackets

TOLERANCES ARE:

DECIMALS	ANGLES
.X ± 0.1	±0.5°
.XX ± 0.02	
.XXX ± 0.007	

TITLE CLASSIC 816 Series
Packing Gland - Threaded - 1" MNPT
 Low Pressure (50 psi)
 Remote Electronics

SIZE A3	DWG NO. D15-816-RAET-XXXX-3	REV 2
SCALE NTS		SHEET 1 OF 4


ITEM	DESCRIPTION	PART NUMBER	QTY
*1	Sensor Assembly; (probe only)	P32-RAETXXXX	1
2	Flameproof Enclosure (3/4" x 1" FNPT)	N10-100A-D	1
3a	<input type="checkbox"/> Glass Lens Cover - Flameproof	M10-1G00	1
3b	<input checked="" type="checkbox"/> Blind Cover - Flameproof	M10-1B00	1
4	Remote Terminal Assembly For Sensor Enclosure	1790-0622-C	1
5	Nameplate, Foil	2400-0002	1
6	Nameplate, Overlay	2401-0001	1
7	Nut	2510-0305-B	1
8	Hex Cap Screw, 1/4" - 28 x 1/2" SS	2540-0020	1
9	Packing Follower	2510-0307-B	1
10	Seal Follower	2510-0304-B	1
11	Seal (U-Cup)	2510-0440	1
12	Nut w/ Coupling	2510-0306-B	1
13	Stainless Set Screw, 10 - 24 x 3/8" Allen	2540-0021	1
14	Sleeve	2510-0300-B	1
15	1/8" Sq. Teflon	Z2510-0429	A/R
16	Hardware Reducer 3/4" x 1/2" (Optional)	2510-0021	1

NOTES:

***1. Sensor Assembly Selection Guide:**

P32-RAETXXXX where XXXX = desired probe 'U' length.
 eg. 6" = P32-RAET0060 36" = P32-RAET0360
 12" = P32-RAET0120 48" = P32-RAET0480
 18" = P32-RAET0180 60" = P32-RAET0600
 24" = P32-RAET0240

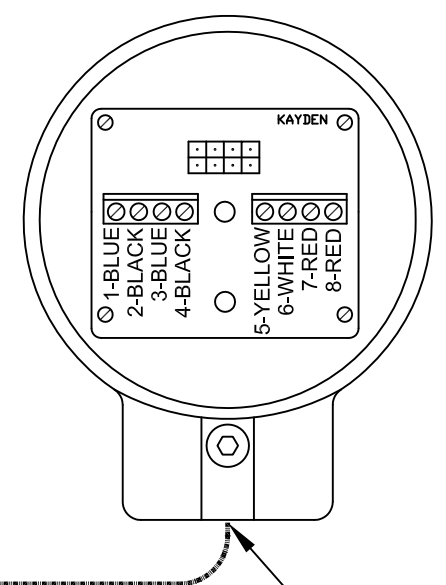
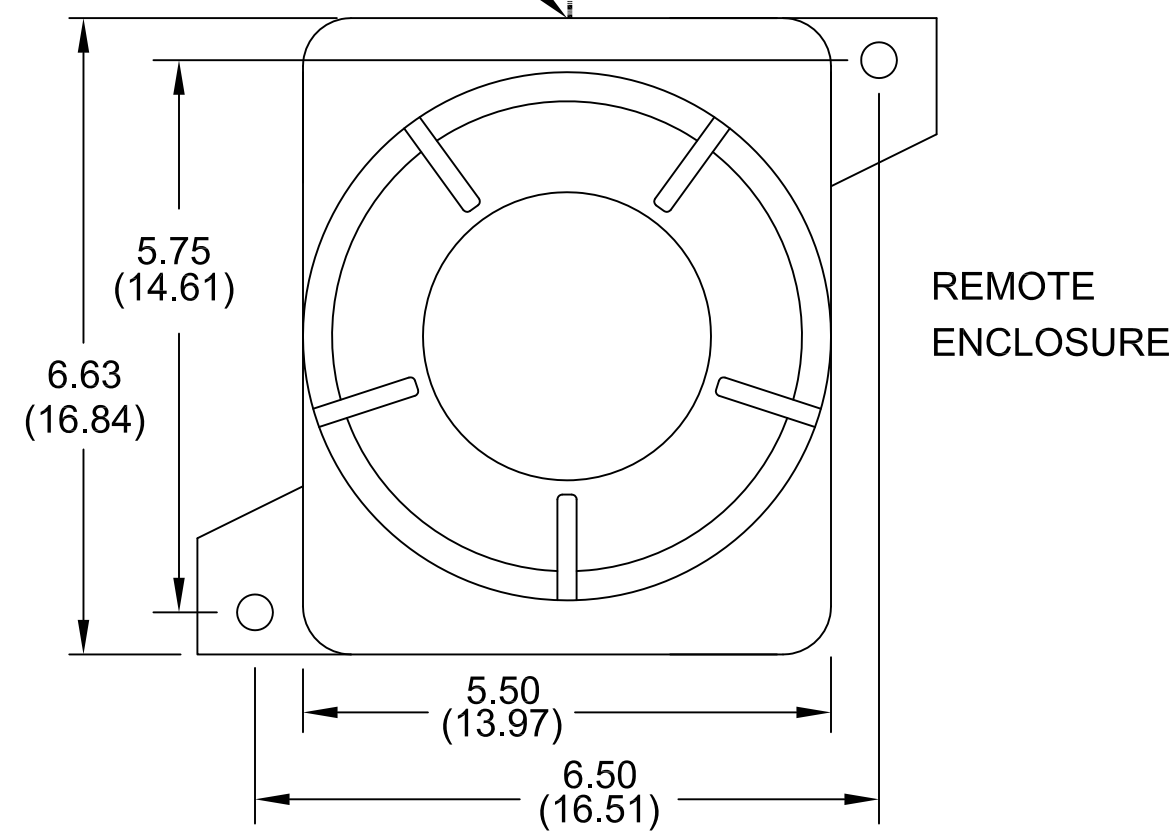
Information contained in this document is confidential and proprietary information of Telematic Controls Inc. This document may not be reproduced or distributed for any reason without express written permission of Telematic Controls Inc. All rights of design, invention and copyright are reserved.

				<table border="1"> <thead> <tr> <th>APPROVALS</th> <th>DATE</th> </tr> </thead> <tbody> <tr> <td>DRN MW</td> <td>17MAY13</td> </tr> <tr> <td>CHKD EC</td> <td>23MAY13</td> </tr> <tr> <td>APP TDH</td> <td>03JUN13</td> </tr> </tbody> </table>		APPROVALS	DATE	DRN MW	17MAY13	CHKD EC	23MAY13	APP TDH	03JUN13																								
APPROVALS	DATE																																				
DRN MW	17MAY13																																				
CHKD EC	23MAY13																																				
APP TDH	03JUN13																																				
<table border="1"> <thead> <tr> <th>Rev</th> <th>Description</th> <th>App.</th> <th>Date</th> </tr> </thead> <tbody> <tr> <td>0</td> <td>Initial release</td> <td>Garland</td> <td>14May98</td> </tr> <tr> <td>1</td> <td>Edited text</td> <td></td> <td>08Apr11</td> </tr> <tr> <td>2</td> <td>Changed footer note. Added confidential note. Modified Title box & Rev. Table. Added to Item16.</td> <td>TDH</td> <td>03Jun13</td> </tr> <tr> <td></td> <td></td> <td></td> <td></td> </tr> <tr> <td></td> <td></td> <td></td> <td></td> </tr> <tr> <td></td> <td></td> <td></td> <td></td> </tr> <tr> <td></td> <td></td> <td></td> <td></td> </tr> </tbody> </table>				Rev	Description	App.	Date	0	Initial release	Garland	14May98	1	Edited text		08Apr11	2	Changed footer note. Added confidential note. Modified Title box & Rev. Table. Added to Item16.	TDH	03Jun13																	<p>TITLE Parts List - CLASSIC 816 Series Packing Gland - Threaded - 1" MNPT Low Pressure (50 psi) Remote Electronics</p>	
Rev	Description	App.	Date																																		
0	Initial release	Garland	14May98																																		
1	Edited text		08Apr11																																		
2	Changed footer note. Added confidential note. Modified Title box & Rev. Table. Added to Item16.	TDH	03Jun13																																		
<p>All dimensions are shown in inches with cm shown in brackets</p> <p>TOLERANCES ARE:</p> <table border="1"> <thead> <tr> <th>DECIMALS</th> <th>ANGLES</th> </tr> </thead> <tbody> <tr> <td>.X ± 0.1</td> <td>±0.5°</td> </tr> <tr> <td>.XX ± 0.02</td> <td></td> </tr> <tr> <td>.XXX ± 0.007</td> <td></td> </tr> </tbody> </table>				DECIMALS	ANGLES	.X ± 0.1	±0.5°	.XX ± 0.02		.XXX ± 0.007		<table border="1"> <tr> <td>SIZE A3</td> <td>DWG NO. D15-816-RAET-XXXX-4</td> <td>REV 2</td> </tr> </table>	SIZE A3	DWG NO. D15-816-RAET-XXXX-4	REV 2																						
DECIMALS	ANGLES																																				
.X ± 0.1	±0.5°																																				
.XX ± 0.02																																					
.XXX ± 0.007																																					
SIZE A3	DWG NO. D15-816-RAET-XXXX-4	REV 2																																			
				SCALE NTS	SHEET 2 OF 4																																

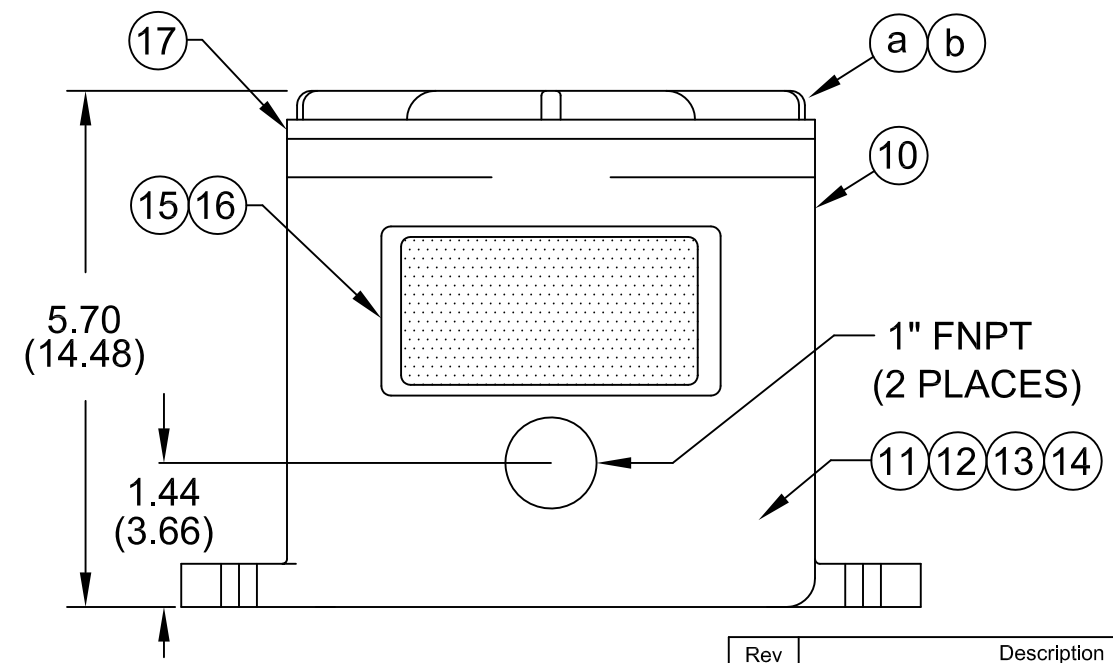
1" FNPT ELECTRONIC CONNECTION

FIELD WIRING

SENSOR ENCLOSURE



1" FNPT ELECTRICAL CONNECTION



Information contained in this document is confidential and proprietary information of Telematic Controls Inc. This document may not be reproduced or distributed for any reason without express written permission of Telematic Controls Inc. All rights of design, invention and copyright are reserved.

APPROVALS	DATE
DRN MW	13MAY13
CHKD EC	21MAY13
APP TDH	03JUN13

KAYDEN[®]
INSTRUMENTS

All dimensions are shown in inches with cm shown in brackets

TOLERANCES ARE:

DECIMALS	ANGLES
.X ± 0.1	±0.5°
.XX ± 0.02	
.XXX ± 0.007	

TITLE: CLASSIC Series Remote Electronics Flameproof Enclosure (CSA)

SIZE A3	DWG NO. 7730-0000-1-CSA	REV 0
SCALE NTS		SHEET 3 OF 4 (or 4 OF 5)

Rev	Description	App.	Date
0	Initial release	TDH	03Jun13

NOTES:
1. Wire according to connection diagram.

ITEM	DESCRIPTION	PART NUMBER	QTY
10	Flameproof Remote Enclosure	1409-1201	1
a	<input type="checkbox"/> Glass Lens Cover - Flameproof	1409-1208	1
b	<input type="checkbox"/> Blind Cover - Flameproof	1409-1207	1
11	Terminal Assembly	2511-0012	1
12	Ground Screw	2540-0023	1
13	CLASSIC Electronics Module (12-24 VDC, 115-230 VAC)	L10-800-C-E	1
14	Mounting Screws (316 SS)	2540-0007	2
15	Nameplate, Foil	2400-0007	1
16	Nameplate, Overlay	2401-0001	1
17	Cover Gasket	1499-1301	1

Information contained in this document is confidential and proprietary information of Telematic Controls Inc. This document may not be reproduced or distributed for any reason without express written permission of Telematic Controls Inc. All rights of design, invention and copyright are reserved.


Rev	Description	App.	Date
0	Initial release	TDH	03Jun13

APPROVALS		DATE
DRN	MW	13MAY13
CHKD	EC	21MAY13
APP	TDH	03JUN13

All dimensions are shown in inches with cm shown in brackets

TOLERANCES ARE:

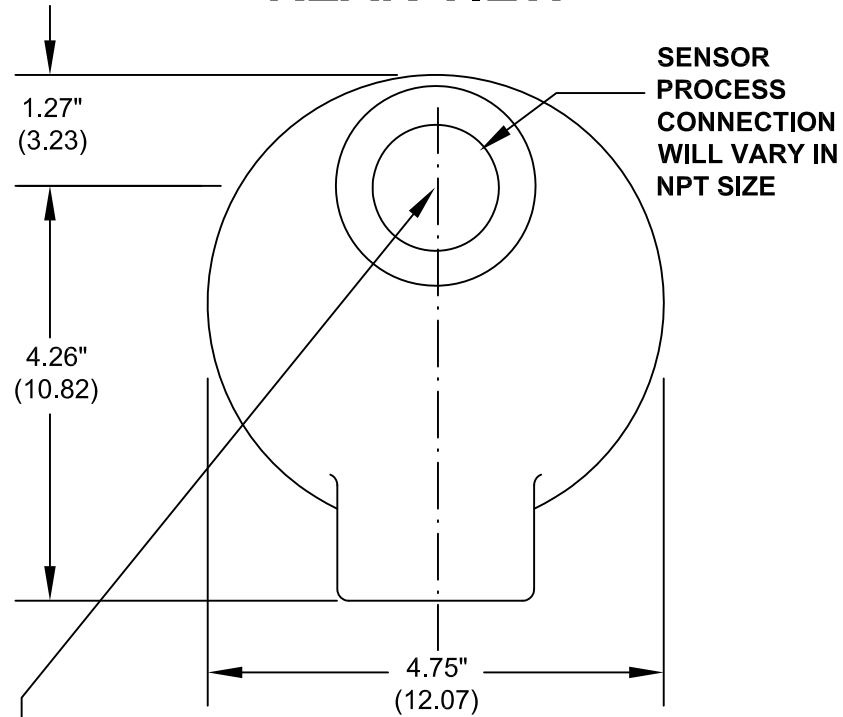
DECIMALS	ANGLES
.X ± 0.1	±0.5°
.XX ± 0.02	
.XXX ± 0.007	



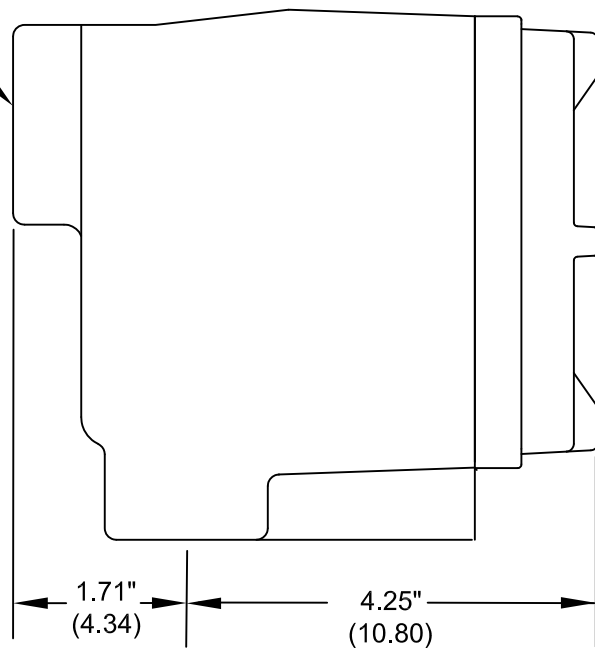
KAYDEN[®]
I N S T R U M E N T S

TITLE		
Parts List - CLASSIC Series Remote Electronics Flameproof Enclosure (CSA)		
SIZE A3	DWG NO. 7730-0000-2-CSA	REV 0
SCALE NTS		SHEET 4 OF 4 (or 5 OF 5)

SENSOR AND REMOTE ENCLOSURE REAR VIEW



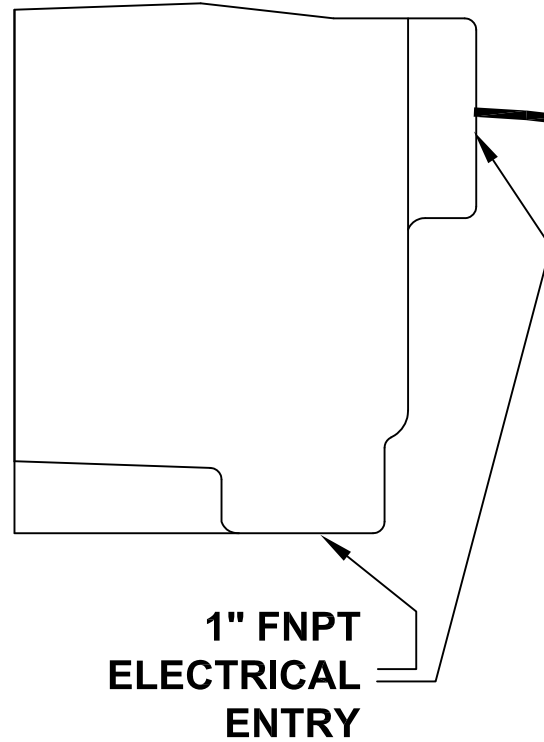
MOUNT SENSOR AND REMOTE ENCLOSURE USING FNPT ENTRY



NOTES:

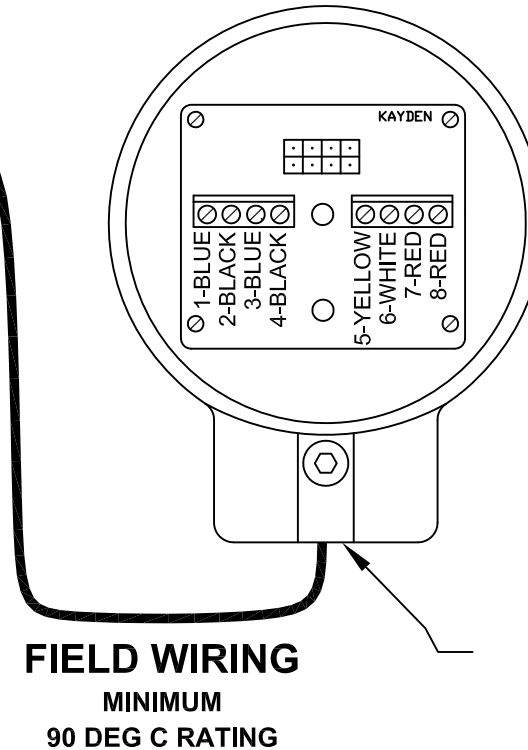
1. Wire sensor to remote according to connection diagram.

REMOTE ENCLOSURE SIDE VIEW



1" FNPT ELECTRICAL ENTRY

SENSOR ENCLOSURE FRONT VIEW



1" FNPT ELECTRICAL ENTRY

SENSOR AND REMOTE ENCLOSURE SIDE VIEW

Rev	Description	App.	Date
0	Initial release	TDH	03Jun13

Information contained in this document is confidential and proprietary information of Telematic Controls Inc. This document may not be reproduced or distributed for any reason without express written permission of Telematic Controls Inc. All rights of design, invention and copyright are reserved.

APPROVALS		DATE	
DRN	MW	13MAY13	
CHKD	EC	21MAY13	
APP	TDH	03JUN13	
All dimensions are shown in inches with cm shown in brackets TOLERANCES ARE: DECIMALS ANGLES .X ± 0.1 ±0.5° .XX ± 0.02 .XXX ± 0.007			TITLE CLASSIC Series Sensor and Remote Flameproof Enclosure (FM)
SIZE A3	DWG NO. 7730-0000-1-FM	REV 0	
SCALE NTS		SHEET 1 OF 1	