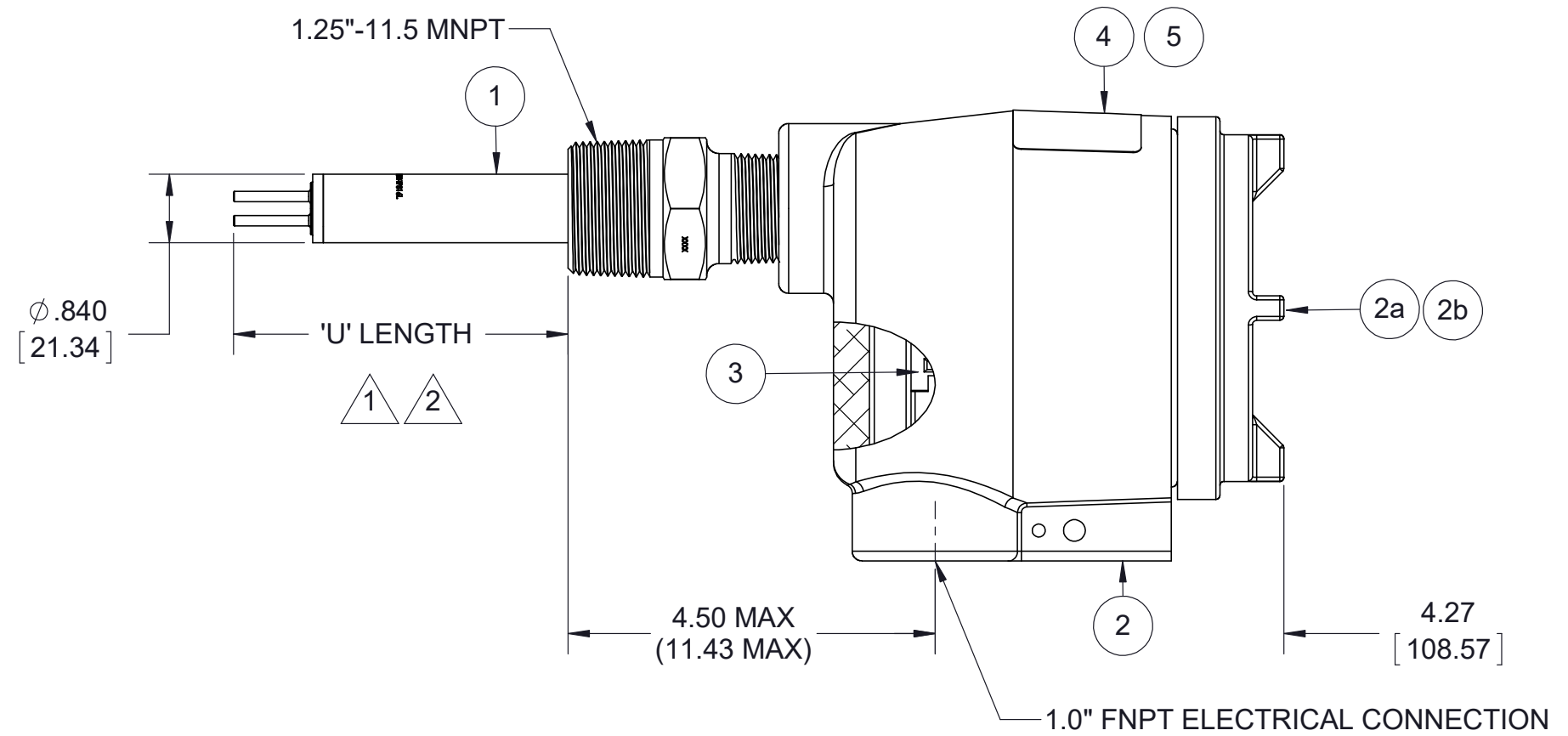
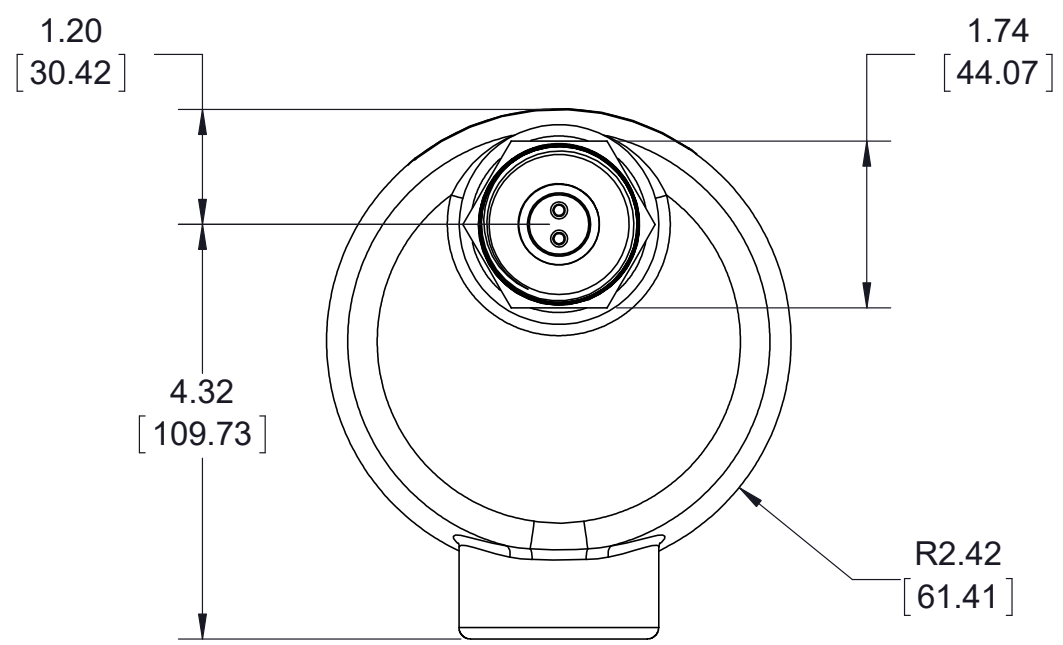


REVISIONS				
ZONE	REV.	DESCRIPTION	DATE	APPROVED
All	0	Initial Release	14MAY98	Chidley
	1	Edited text	08APR11	
	2	Changed footer note, added confidential note, modified title, title box and rev table. Deleted 24"U'.	03JUN13	TDH
ALL	3	Updated probe dimensions	26OCT18	BT



NOTES:

- 1 Standard 'U' lengths available: 1.2", 2", 3", 4", 6", 9", 12" & 18"
- 2 Custom 'U' length:

UNLESS OTHERWISE SPECIFIED:	NAME	DATE
DIMENSIONS ARE IN INCHES	DRAWN MW	13MAY13
TOLERANCES:	CHECKED EC	17MAY13
ANGULAR: 0.5°	ENG APPR. TDH	03JUN13
ONE PLACE DECIMAL ±0.1		
TWO PLACE DECIMAL ±0.02		
THREE PLACE DECIMAL ±0.007		
INTERPRET GEOMETRIC TOLERANCING PER:		
MATERIAL	COMMENTS:	
FINISH		
DO NOT SCALE DRAWING		



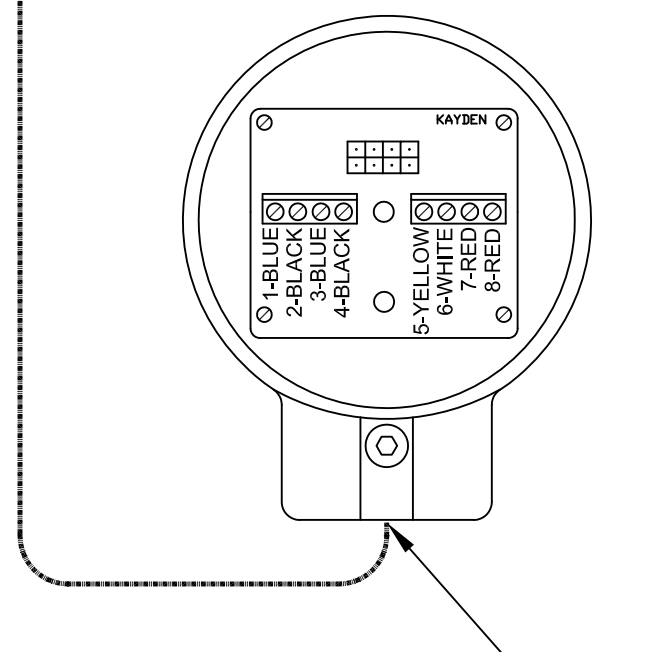
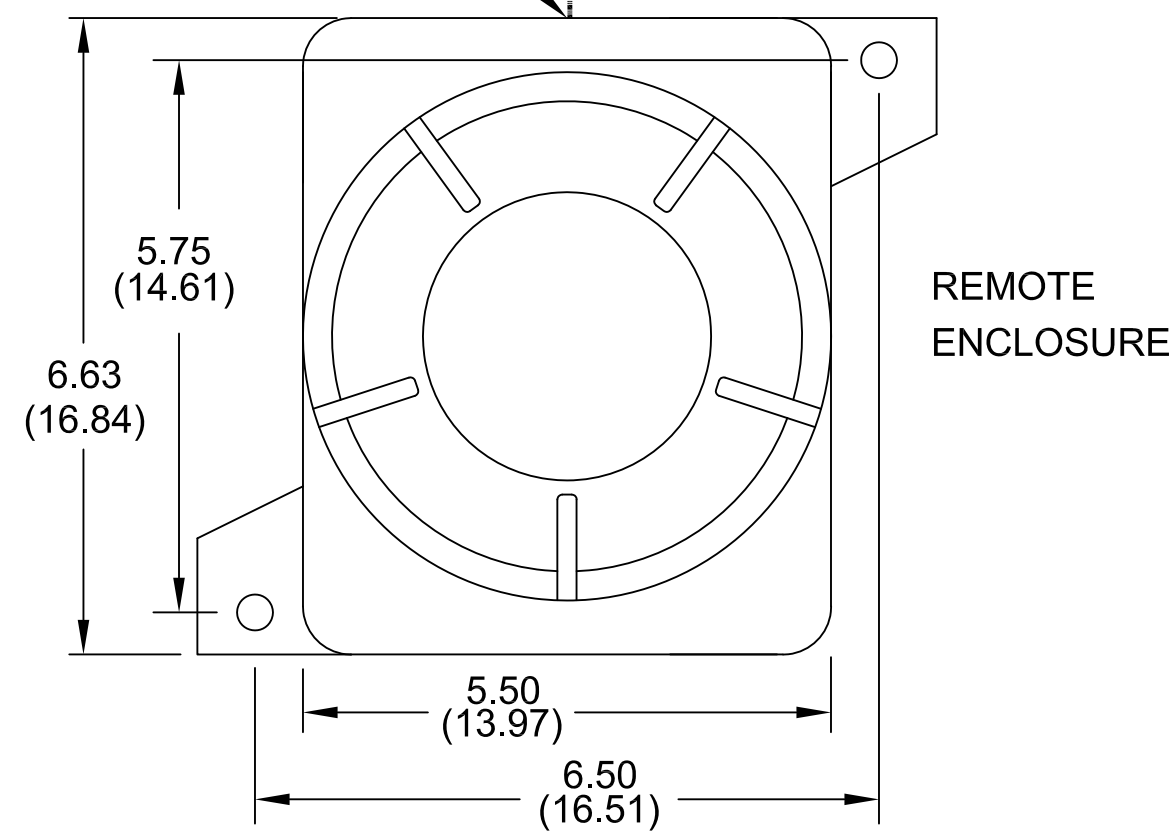
TITLE: **CLASSIC 810 Series**
 1-1/4" MNPT; 1.2", 2", 3", 4", 6", 9", 12" & 18" 'U'
 Remote Electronics
 Mounting Drawing

SIZE	DWG. NO.	REV
B	D15-810-RAF-XXXX-RE	3

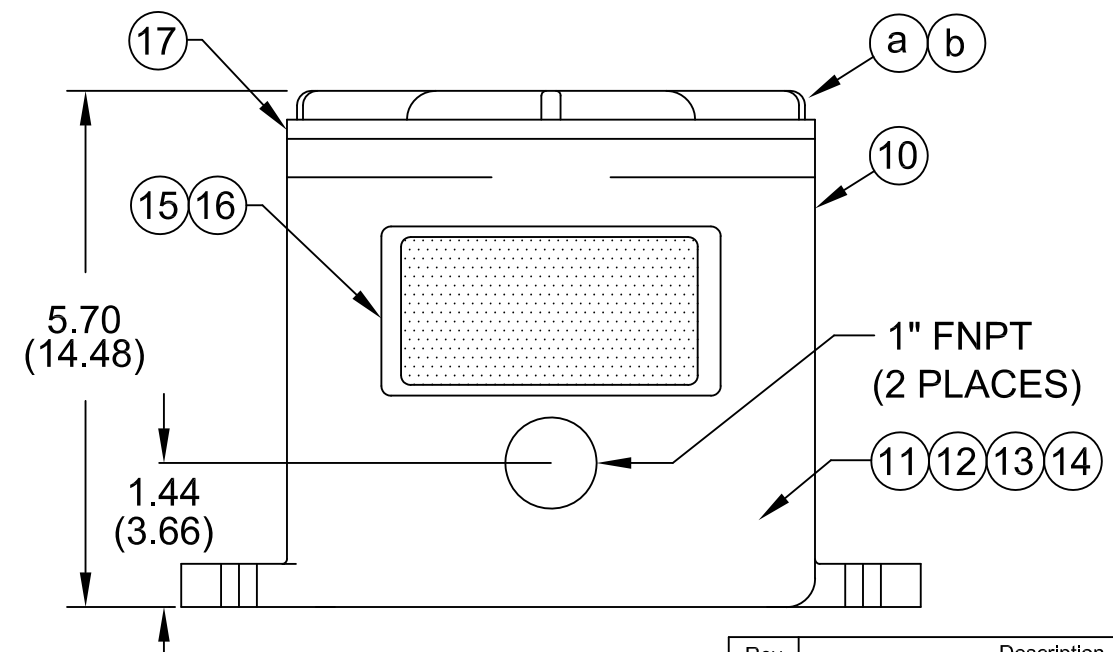
1" FNPT ELECTRONIC CONNECTION

FIELD WIRING

SENSOR ENCLOSURE



1" FNPT ELECTRICAL CONNECTION



Information contained in this document is confidential and proprietary information of Telematic Controls Inc. This document may not be reproduced or distributed for any reason without express written permission of Telematic Controls Inc. All rights of design, invention and copyright are reserved.

APPROVALS		DATE		
DRN	MW	13MAY13		
CHKD	EC	21MAY13		
APP	TDH	03JUN13	TITLE	
All dimensions are shown in inches with cm shown in brackets TOLERANCES ARE: DECIMALS ANGLES .X ± 0.1 ±0.5° .XX ± 0.02 .XXX ± 0.007			CLASSIC Series Remote Electronics Flameproof Enclosure (CSA)	
SIZE	DWG NO.	REV		
A3	7730-0000-1-CSA	0		
SCALE NTS		SHEET 3 OF 4		

Rev	Description	App.	Date
0	Initial release	TDH	03Jun13

NOTES:
1. Wire according to connection diagram.

ITEM	DESCRIPTION	PART NUMBER	QTY
10	Flameproof Remote Enclosure	1409-1201	1
a	<input type="checkbox"/> Glass Lens Cover - Flameproof	1409-1208	1
b	<input type="checkbox"/> Blind Cover - Flameproof	1409-1207	1
11	Terminal Assembly	2511-0012	1
12	Ground Screw	2540-0023	1
13	CLASSIC Electronics Module	L10-800-C-E	1
	(12-24 VDC, 115-230 VAC)		
14	Mounting Screws (316 SS)	2540-0007	2
15	Nameplate, Foil	2400-0007	1
16	Nameplate, Overlay	2401-0001	1
17	Cover Gasket	1499-1301	1

Information contained in this document is confidential and proprietary information of Telematic Controls Inc. This document may not be reproduced or distributed for any reason without express written permission of Telematic Controls Inc. All rights of design, invention and copyright are reserved.

Rev	Description	App.	Date	APPROVALS	DATE	<div style="font-size: 24px; font-weight: bold; color: red; margin-bottom: 5px;">KAYDEN[®]</div> <div style="font-size: 18px; font-weight: normal; color: gray; margin-bottom: 5px;">I N S T R U M E N T S</div> <div style="margin-bottom: 5px;">TITLE</div> <div style="margin-bottom: 5px; text-align: center;">Parts List - CLASSIC Series</div> <div style="margin-bottom: 5px; text-align: center;">Remote Electronics</div> <div style="margin-bottom: 5px; text-align: center;">Flameproof Enclosure (CSA)</div> <div style="display: flex; justify-content: space-between; font-size: 12px;"> <div style="width: 25%;">SIZE A3</div> <div style="width: 50%;">DWG NO. 7730-0000-2-CSA</div> <div style="width: 25%;">REV 0</div> </div>		
	0	Initial release	TDH	03Jun13	DRN MW			
				CHKD EC	21MAY13			
				APP TDH	03JUN13			
All dimensions are shown in inches with cm shown in brackets TOLERANCES ARE: DECIMALS ANGLES .X ± 0.1 ±0.5° .XX ± 0.02 .XXX ± 0.007				SCALE NTS		SHEET 4 OF 4		