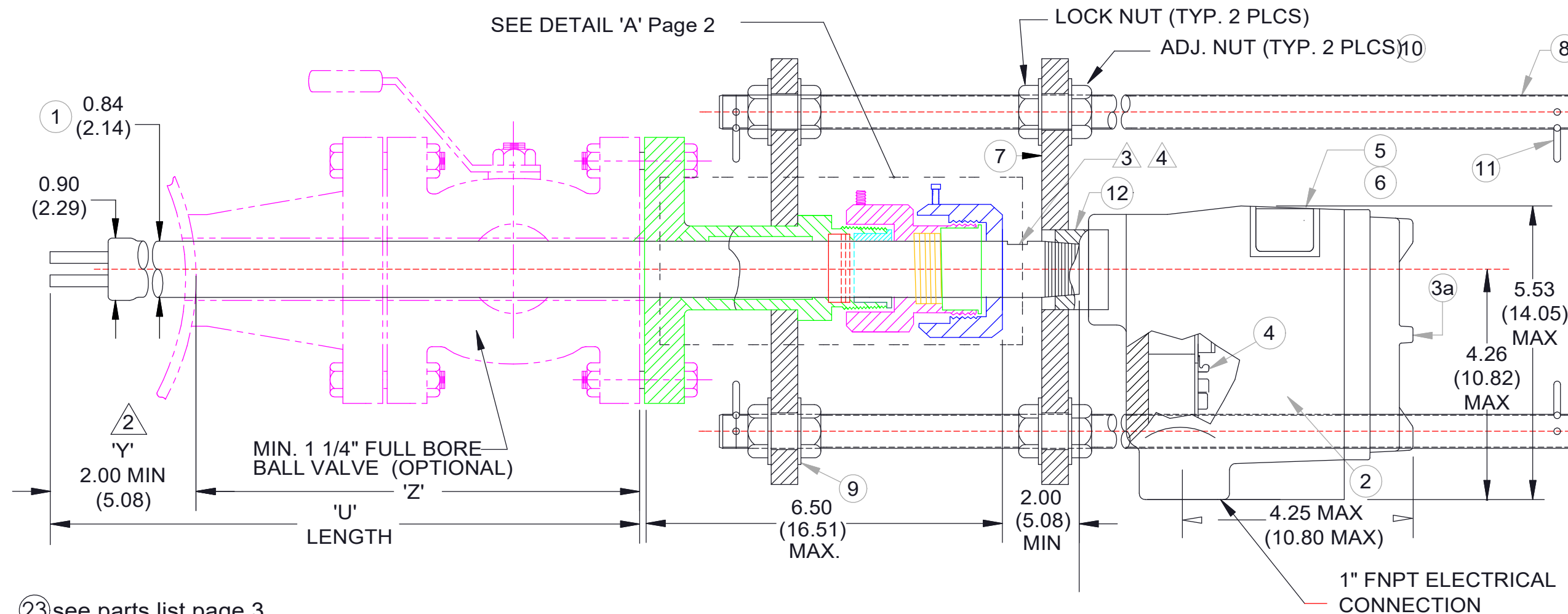


REVISIONS				
ZONE	REV.	DESCRIPTION	DATE	APPROVED
All	0	Initial Release	09May02	Webster
	1	Ball valve dim from 1 1/4" to 1"; Gland dim from 0.94 to 0.90."	17Jun10	
	2	Edited text	26Jan11	
	3	Changed footer note. Added confidential note. Modified title box & rev. table. Modified one dim. Added on item 12. Added "-MI" on note *1.a). Changed P/N Item 7.	03Jun13	TDH



**NOTES:**

- 1. ① to ⑫ see parts list page 3
- ⑬ Customer specified 'U' length.
- ⑭ Install top and bottom mounted units in horizontal pipe with flow arrow  $\longleftrightarrow$  parallel to flow direction.
- 5. Flange: Size: \_\_\_\_\_ Material: \_\_\_\_\_

UNLESS OTHERWISE SPECIFIED:

DIMENSIONS ARE IN INCHES

TOLERANCES:  
 ANGULAR: 0.5°  
 ONE PLACE DECIMAL ±0.1  
 TWO PLACE DECIMAL ±0.02  
 THREE PLACE DECIMAL ±0.007

INTERPRET GEOMETRIC TOLERANCING PER:

MATERIAL

FINISH

DO NOT SCALE DRAWING

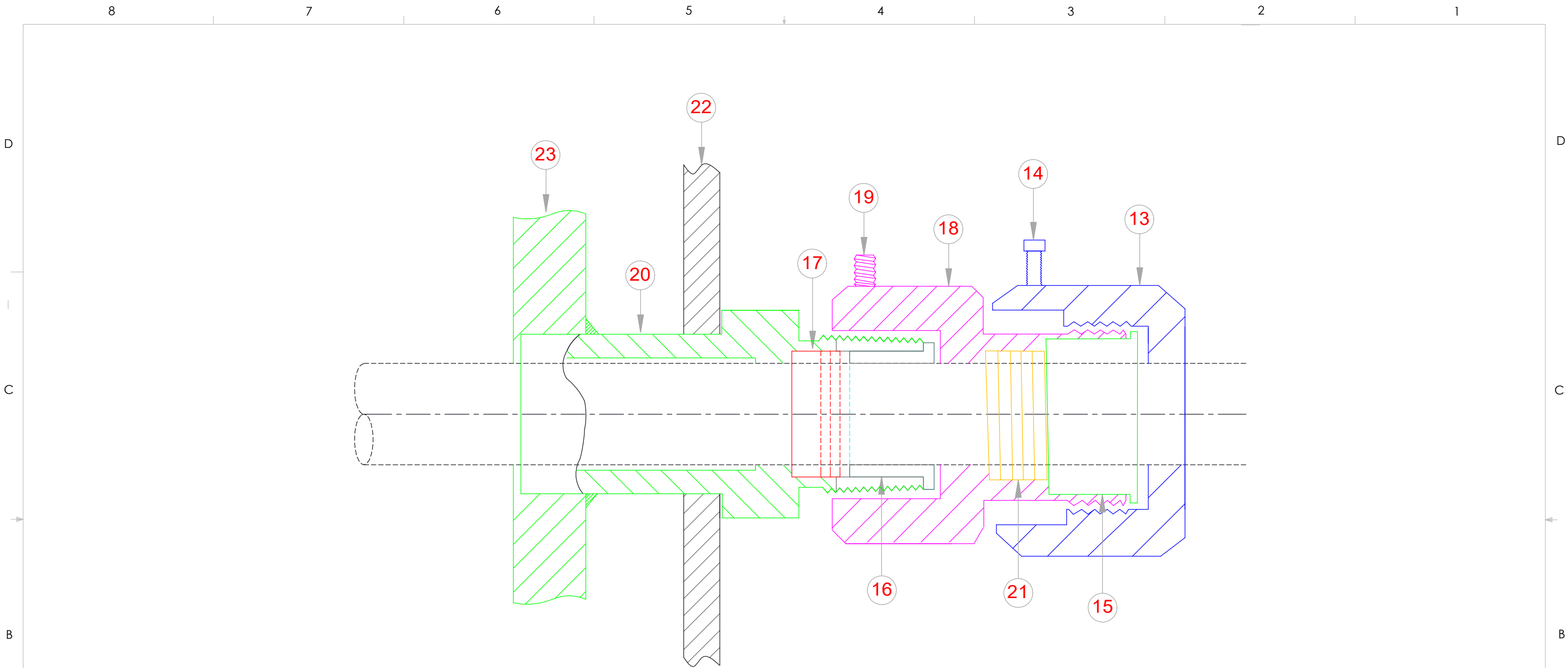
	NAME	DATE
DRAWN	MW	13MAY13
CHECKED	EC	21MAY13
ENG APPR.	TDH	03JUN13

COMMENTS:

**KAYDEN**  
INSTRUMENTS

TITLE:  
**CLASSIC 814 Series**  
 Packing Gland - Flanged - 1" MNPT  
 Medium Pressure (275 PSI)  
 Local Electronics

SIZE	DWG. NO.	REV
<b>B</b>	D15-814-RAAYYYAX-IXXXX-LE	3



**NOTES:**

1. All components - 316 Stainless Steel  
(except packing and front support)

UNLESS OTHERWISE SPECIFIED:		NAME	DATE
DIMENSIONS ARE IN INCHES		DRAWN MW	13MAY13
TOLERANCES:		CHECKED EC	21MAY13
ANGULAR: 0.5°		ENG APPR. TDH	03JUN13
ONE PLACE DECIMAL ±0.1			
TWO PLACE DECIMAL ±0.02			
THREE PLACE DECIMAL ±0.007			
INTERPRET GEOMETRIC TOLERANCING PER:			
MATERIAL		COMMENTS:	
FINISH			
DO NOT SCALE DRAWING			

**KAYDEN**<sup>®</sup>  
I N S T R U M E N T S

TITLE: **CLASSIC 814 Series**  
Packing Gland - Flanged - 1" MNPT  
Medium Pressure (275 PSI)  
Local/Remote Electronics: Detail 'A' Drawing

SIZE	DWG. NO.	REV
<b>B</b>	D15-814-RAAYYYAX-IXXXX-LE	2

## BOM

ITEM	DESCRIPTION	PART NUMBER	QTY
*1	Sensor Assembly; (probe only)	P22-RAAYYYAX-IXXXX	1
2	Flameproof Enclosure (3/4" x 1" FNPT)	N10-100A-D	1
3a	<input checked="" type="checkbox"/> Glass Lens Cover - Flameproof	M10-1G00	1
3b	<input type="checkbox"/> Blind Cover - Flameproof	M10-1B00	1
4	CLASSIC Electronics Module (12-24 VDC, 115-230 VAC)	L10-800-C-E	1
5	Nameplate, Foil	2400-0002	1
6	Nameplate, Overlay	2401-0001	1
7	Rear Support, Medium Pressure	2510-0311-1	1
8	5/8" Threaded Rod - Modified	2510-0414	'U'+7"
9	5/8" Flat Washer	2510-0427	8
10	Hex Nut, 5/8" UNC	2510-0417	8
11	Cotterpin	2510-0415	4
12	Hardware Reducer 3/4" x 1/2" (Optional)	2510-0021	1
***** ITEMS 13 THROUGH 23 REFER TO PAGE 2 (DETAIL 'A') *****			
13	Nut	2510-0305-B	1
14	Hex Cap Screw, 1/4" - 28 x 1/2" SS	2540-0020	4
15	Packing Follower	2510-0307-B	1
16	Seal Follower	2510-0304-B	1
17	Seal (U-Cup)	2510-0440	1
18	Nut w/Coupling	2510-0306-B	1
19	Stainless Steel Set Screw, 10-24 x 3/8" Allen	2540-0021	1
20	Sleeve	2510-0300-B	1
21	1/8" SQ. Teflon	Z2510-0429	A/R
22	Front Support, Medium Pressure	2510-0413-1	1
23	Flange	YYY	1

## NOTES:

## \*1. a) Sensor Assembly Selection Guide:

P22-RAAYYYAX-IXXXX Where XXXX = Desired Probe 'U' Length.


eg. 'U' Length = 3.5" = P22-RAAYYYAX-I0035-MI or 36" = P22-RAAYYYAX-I0360-MI

b) I = Imperial (inches)

M = Metric (cm)

c) P22-RAAYYYAX-IXXXX-M (Where YYY = Code for type of flange)

eg. Flange = 1 1/2". 150# = (P22-RAA131AX-IXXXX) See flange list

UNLESS OTHERWISE SPECIFIED:		NAME	DATE		
DIMENSIONS ARE IN INCHES		DRAWN	MW		16MAY13
TOLERANCES: ANGULAR: 0.5°		CHECKED	EC		22MAY13
ONE PLACE DECIMAL ±0.1 TWO PLACE DECIMAL ±0.02 THREE PLACE DECIMAL ±0.007		ENG APPR.	TDH		03JUN13
INTERPRET GEOMETRIC TOLERANCING PER:				<b>TITLE:</b> <b>CLASSIC 814 Series</b> Packing Gland - Flanged - 1" MNPT Medium Pressure (275 PSI) Local Electronics	
MATERIAL					
FINISH		COMMENTS:			
DO NOT SCALE DRAWING		SIZE	DWG. NO.	REV	
		<b>B</b>	D15-814-RAAYYYAX-IXXXX-LE	3	
		SCALE: NTS	WEIGHT:	SHEET 3 OF 3	