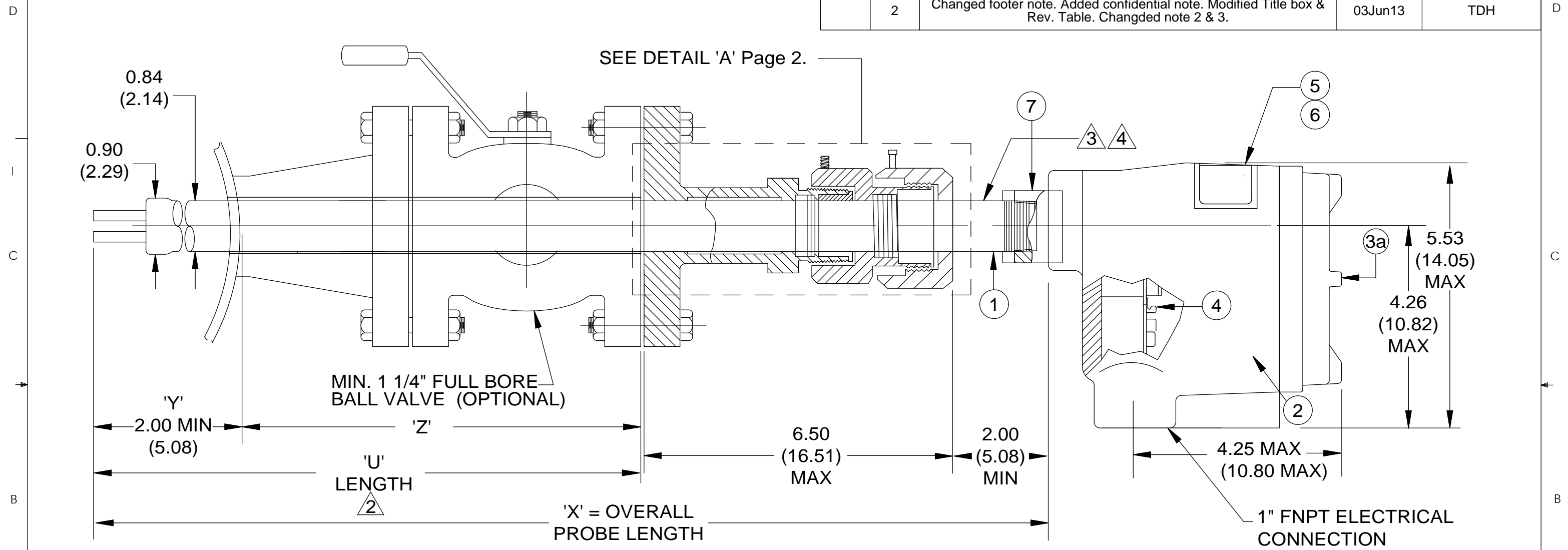


| REVISIONS | | | | |
|-----------|------|--|---------|----------|
| ZONE | REV. | DESCRIPTION | DATE | APPROVED |
| All | 0 | Initial Release | 09May02 | Webster |
| | 1 | Update Gland Dim. | 26Jan11 | |
| | 2 | Changed footer note. Added confidential note. Modified Title box & Rev. Table. Changed note 2 & 3. | 03Jun13 | TDH |



NOTES:

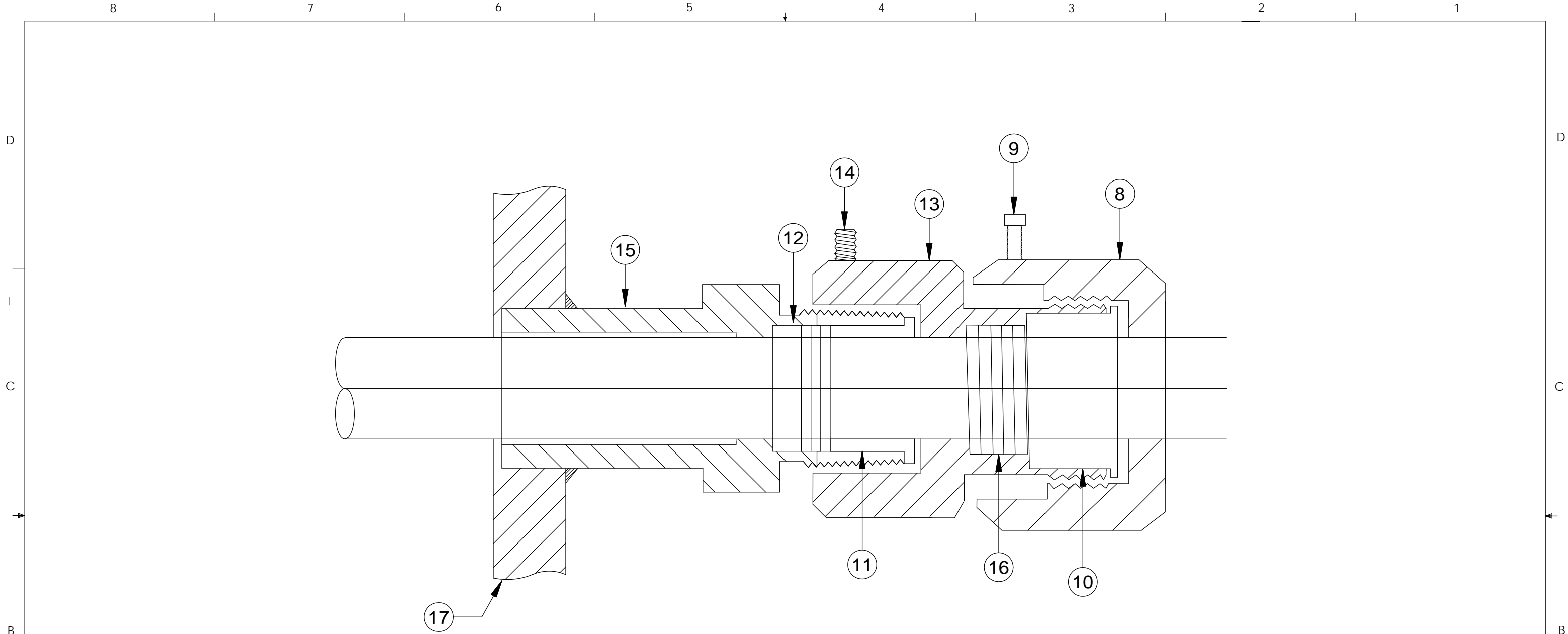
- 1. ① to ⑥ see parts list.
- ②. Customer specified 'U' length. 'U' =
- ③. ④. Install top and bottom mounted units in horizontal pipe with flow arrow \longleftrightarrow parallel to flow direction.
- ⑤. Flange: Size: _____ Material:

| | | | |
|--------------------------------------|-----------|------|---------|
| UNLESS OTHERWISE SPECIFIED: | | NAME | DATE |
| DIMENSIONS ARE IN INCHES | DRAWN | MW | 13MAY13 |
| TOLERANCES: | CHECKED | EC | 21MAY13 |
| ANGULAR: 0.5° | ENG APPR. | TDH | 03JUN13 |
| ONE PLACE DECIMAL ±0.1 | | | |
| TWO PLACE DECIMAL ±0.02 | | | |
| THREE PLACE DECIMAL ±0.007 | | | |
| INTERPRET GEOMETRIC TOLERANCING PER: | | | |
| MATERIAL | COMMENTS: | | |
| FINISH | | | |
| DO NOT SCALE DRAWING | | | |



TITLE: **CLASSIC 814 Series**
Packing Gland - Flanged - 1" MNPT
Low Pressure (50 PSI)
Local Electronics

| | | |
|----------|-----------------------|-----|
| SIZE | DWG. NO. | REV |
| B | 814-RAAYYYAT-IXXXX-LE | 2 |



NOTES:

- 1. All components - 316 Stainless Steel
(except packing)

| | | | |
|---|-----------|------|---------|
| UNLESS OTHERWISE SPECIFIED: | | NAME | DATE |
| DIMENSIONS ARE IN INCHES | DRAWN | MW | 13MAY13 |
| TOLERANCES: ANGULAR: 0.5° | CHECKED | EC | 21MAY13 |
| ONE PLACE DECIMAL ±0.1 | ENG APPR. | TDH | 03JUN13 |
| TWO PLACE DECIMAL ±0.02 | | | |
| THREE PLACE DECIMAL ±0.007 | | | |
| INTERPRET GEOMETRIC TOLERANCING PER: | COMMENTS: | | |
| MATERIAL | | | |
| FINISH | | | |
| DO NOT SCALE DRAWING | | | |

KAYDEN[®]
I N S T R U M E N T S

TITLE: **CLASSIC 814 Series**
Packing Gland - Flanged - 1" MNPT
Low Pressure (50 PSI)
Local/Remote Electronics: Detail 'A' Drawing

| | | |
|----------|-----------------------|-----|
| SIZE | DWG. NO. | REV |
| B | 814-RAAYYYAT-IXXXX-LE | 2 |

| BOM | | | |
|---|---|----------------------|-----|
| ITEM | DESCRIPTION | PART NUMBER | QTY |
| *1 | Sensor 1" MNPT | P22-RAAYYYAT-IXXXX-M | 1 |
| 2 | Flameproof Enclosure (3/4" x 1" FNPT) | N10-100A-D | 1 |
| 3a | <input checked="" type="checkbox"/> Glass Lens Cover - Flameproof | M10-1G00 | 1 |
| 3b | <input type="checkbox"/> Blind Cover - Flameproof | M10-1B00 | 1 |
| 4 | CLASSIC Electronics Module (12-24 VDC, 115-230 VAC) | L10-800-C-E | 1 |
| 5 | Nameplate, Foil | 2400-0002 | 1 |
| 6 | Nameplate, Overlay | 2401-0001 | 1 |
| 7 | Hardware Reducer 3/4" x 1/2" (Optional) | 2510-0021 | 1 |
| ***** ITEMS 8 THROUGH 17 REFER TO PAGE 2 (DETAIL 'A') ***** | | | |
| 8 | Nut | 2510-0413-2 | 1 |
| 9 | Hex Cap Screw, 1/4" - 28 x 1/2" SS | 2540-0020 | 2 |
| 10 | Packing Follower | 2510-0307-B | 2 |
| 11 | Seal Follower | 2510-0304-B | 1 |
| 12 | Seal (U-Cup) | 2510-0440 | 1 |
| 13 | Nut w/Coupling | 2510-0306-B | 17" |
| 14 | Stainless Steel Set Screw, 10-24 x 3/8" Allen | 2540-0021 | 1 |
| 15 | Sleeve | 2510-0300-B | 1 |
| 16 | 1/8" SQ. Teflon | Z2510-0429 | 1 |
| 17 | Flange | YYY | 1 |

NOTES:

***1. a) Sensor Assembly Selection Guide:**

P22-RAAYYYAT-IXXXX-M Where XXXX = Desired Probe 'U' Length.

eg. 'U' Length = 3.5" = P22-RAAYYYAT-I0035-M or 36" = P22-RAAYYYAT-I0360-M

b) I = Imperial (inches)

M = Metric (cm)

c) P22-RAAYYYAT-IXXXX-M (Where YYY = Code for type of flange)

eg. Flange = 1 1/2". 150# = (P22-RAA131AT-IXXXX-M) See flange list

| | | | |
|--------------------------------------|-----------|------|---------|
| UNLESS OTHERWISE SPECIFIED: | | NAME | DATE |
| DIMENSIONS ARE IN INCHES | DRAWN | MW | 16MAY13 |
| TOLERANCES: ANGULAR: 0.5° | CHECKED | EC | 21MAY13 |
| ONE PLACE DECIMAL ±0.1 | ENG APPR. | TDH | 03JUN13 |
| TWO PLACE DECIMAL ±0.02 | | | |
| THREE PLACE DECIMAL ±0.007 | | | |
| INTERPRET GEOMETRIC TOLERANCING PER: | COMMENTS: | | |
| MATERIAL | | | |
| FINISH | | | |
| DO NOT SCALE DRAWING | | | |



TITLE: **Parts List - CLASSIC 814 Series**
Packing Gland - Flanged - 1" MNPT
Low Pressure (50 PSI)
Local Electronics

| | | |
|----------|-----------------------|-----|
| SIZE | DWG. NO. | REV |
| B | 814-RAAYYYAT-IXXXX-LE | 2 |