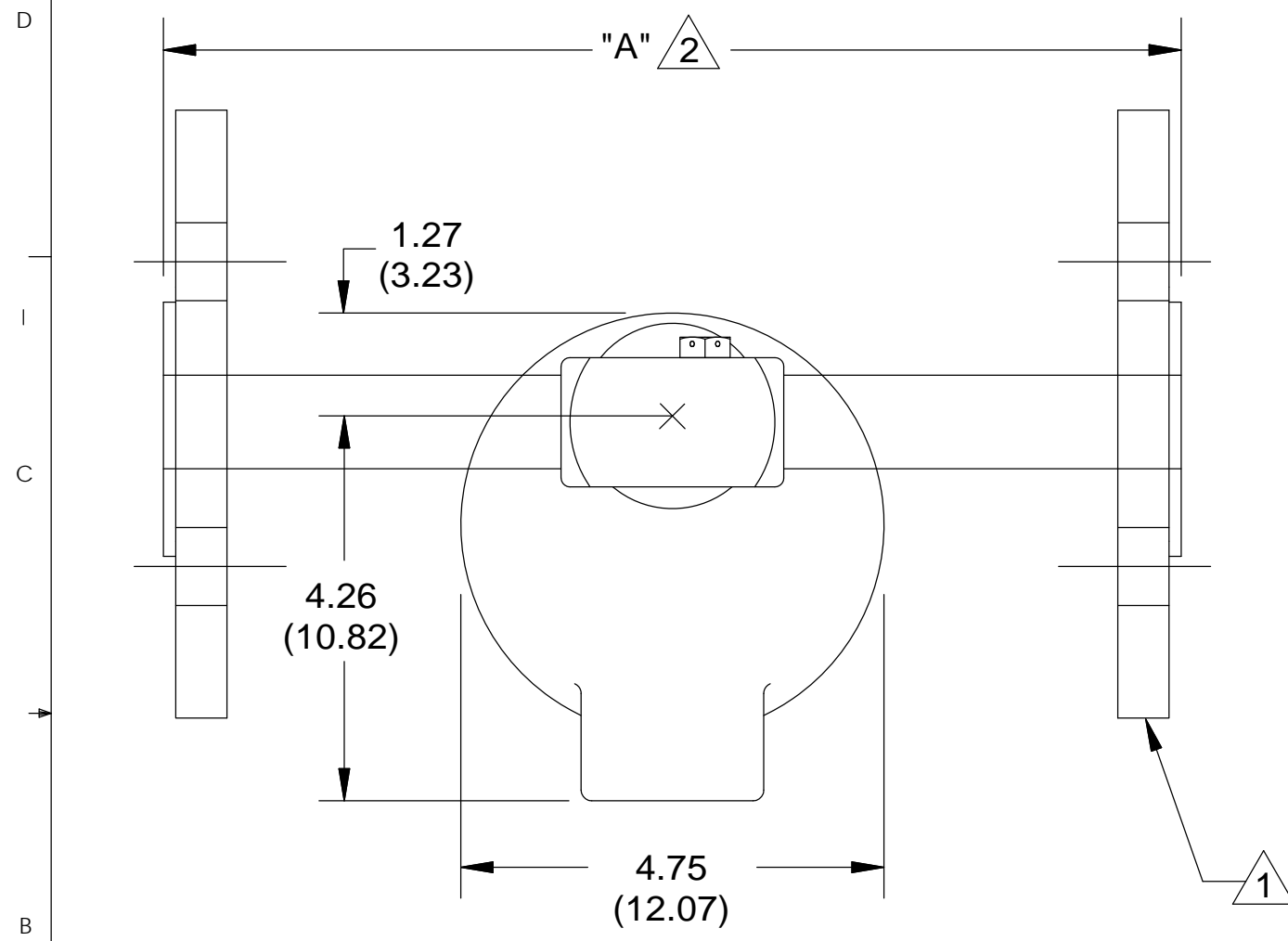
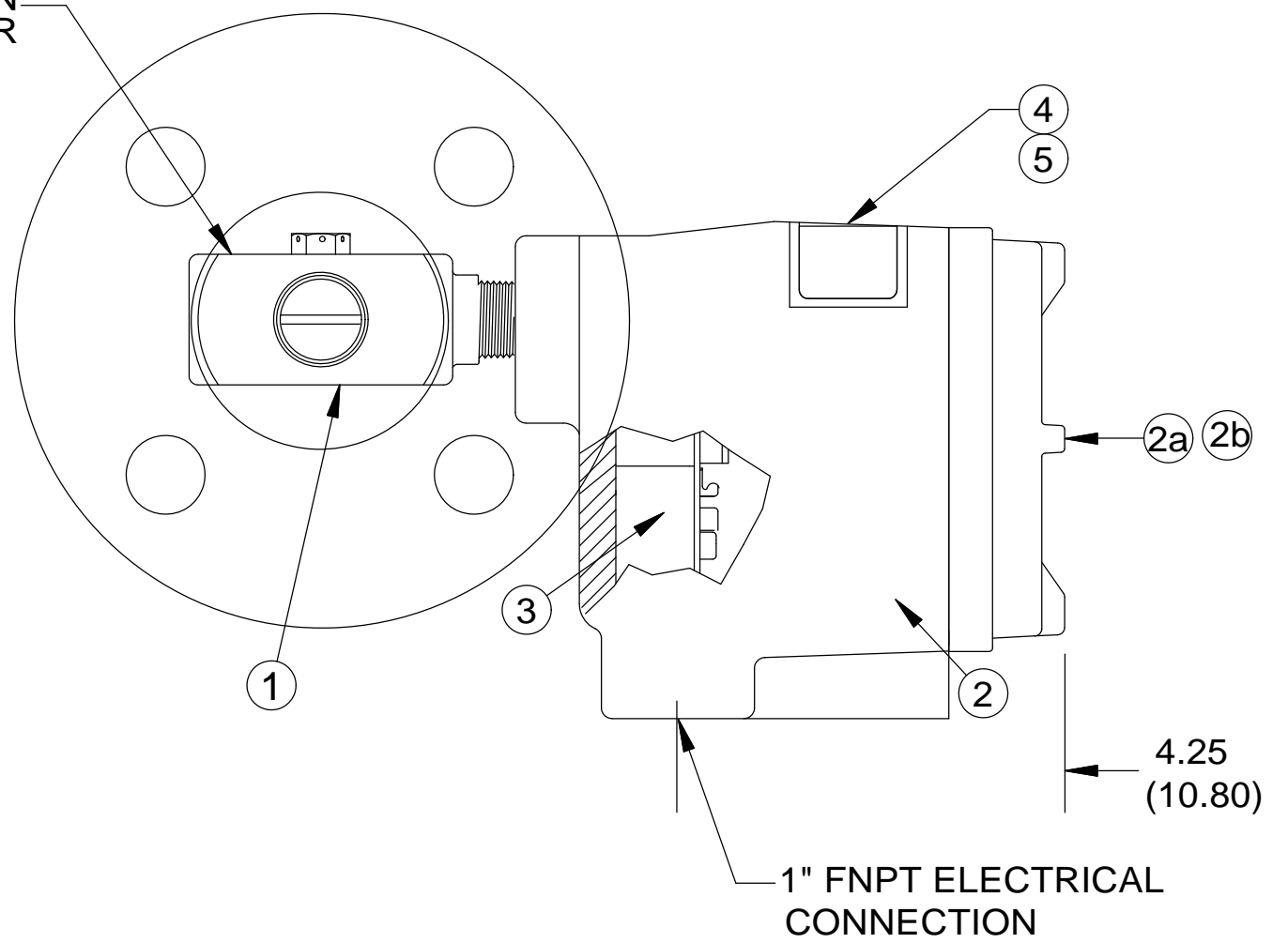


REVISIONS				
ZONE	REV.	DESCRIPTION	DATE	APPROVED
All	0	Initial Release	16June02	Chidley
	1	Edited text	25Jan11	
	2	Changed footer note, added confidential note, modified title, title box and rev table.	04Jun13	TDH



FLOW DIRECTION INDICATOR



1" FNPT ELECTRICAL CONNECTION

NOTES:

- ① Flange
- ② Customer specified 'A' length

UNLESS OTHERWISE SPECIFIED:		NAME	DATE
DIMENSIONS ARE IN INCHES	DRAWN	MW	15MAY13
TOLERANCES: ANGULAR: 0.5°	CHECKED	EC	23MAY13
ONE PLACE DECIMAL ±0.1	ENG APPR.	TDH	04JUN13
TWO PLACE DECIMAL ±0.02			
THREE PLACE DECIMAL ±0.007			
INTERPRET GEOMETRIC TOLERANCING PER:	COMMENTS:		
MATERIAL			
FINISH			
DO NOT SCALE DRAWING			



TITLE:
CLASSIC 832 Series
Flanged InLine
Horizontal with Bleed Port
Local Electronics


SIZE	DWG. NO.	REV
B	D15-832-RA3D-0035AH-LE	2

BOM			
ITEM	DESCRIPTION	PART NUMBER	QTY
*1	Sensor, InLine, Flanged	Custom	1
2	Flameproof Enclosure (1" x 1" FNPT) c/w Terminal Assembly	N10-100A-E	1
2a	<input checked="" type="checkbox"/> Glass Lens Cover - Flameproof	M10-1G00	1
2b	<input type="checkbox"/> Blind Cover - Flameproof	M10-1B00	1
3	CLASSIC Electronics Module (12-24 VDC, 115-230 VAC)	L10-800-C-E	1
4	Nameplate, Foil	2400-0002	1
5	Nameplate, Overlay	2401-0001	1

***1. Flanged Sensor Assembly Selection Guide:**

The CLASSIC - Flanged Series are built to our customer's specific requirements. Please specify the following.

- 1) 'U' length
- 2) Flange size & material
- 3) Sensor material
- 4) No injection tube; 1/8" I.D. injection tube, or 1/4" I.D. injection tube

UNLESS OTHERWISE SPECIFIED:		NAME	DATE					
DIMENSIONS ARE IN INCHES		DRAWN	MW		15MAY13			
TOLERANCES: ANGULAR: 0.5° ONE PLACE DECIMAL ±0.1 TWO PLACE DECIMAL ±0.02 THREE PLACE DECIMAL ±0.007		CHECKED	EC		23MAY13			
INTERPRET GEOMETRIC TOLERANCING PER:		ENG APPR.	TDH		04JUN13			
MATERIAL		COMMENTS:		Parts List - CLASSIC 832 Series Flanged InLine Horizontal with Bleed Port Local Electronics				
FINISH		SIZE	DWG. NO.		REV			
DO NOT SCALE DRAWING		B	D15-832-RA3D-0035AH-LE		2			
KAYDEN INSTRUMENTS		Calgary, Alberta, Canada		Phone: +1.403.253.1423	kayden.com	SCALE: NTS	WEIGHT:	SHEET 2 OF 2