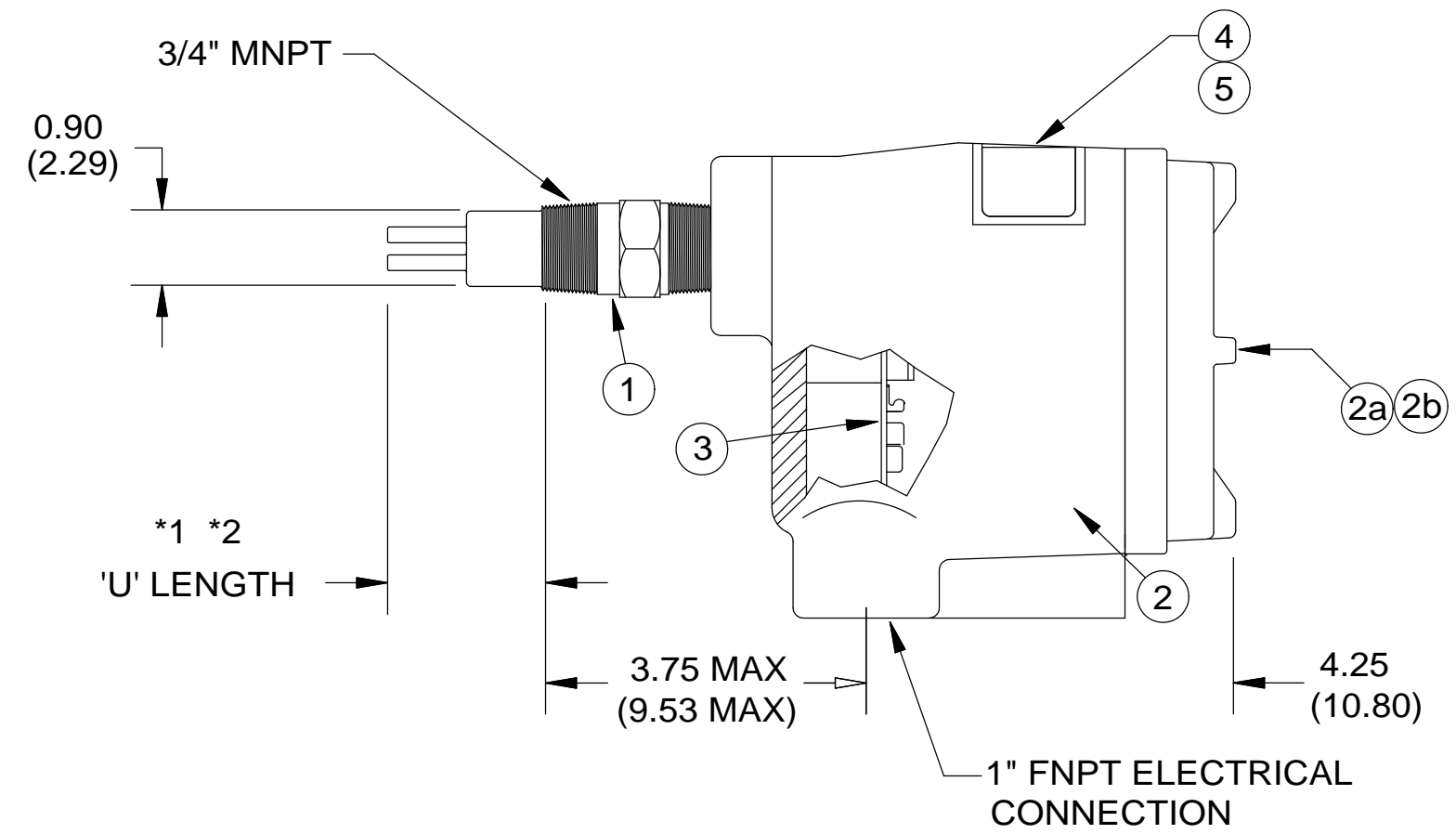
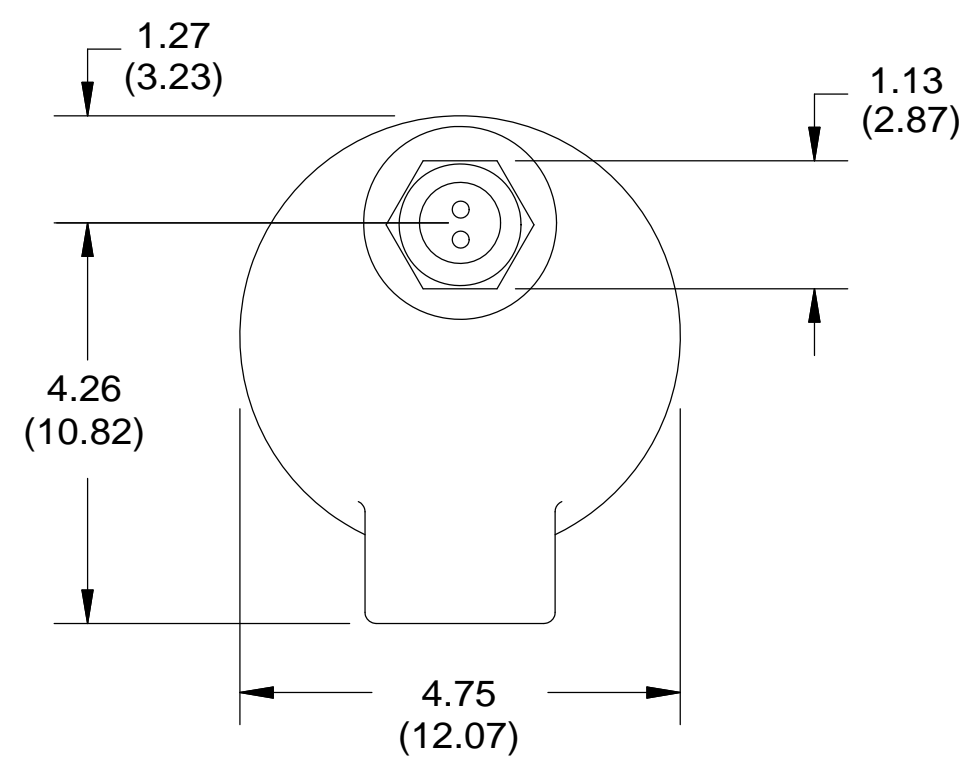


REVISIONS				
ZONE	REV.	DESCRIPTION	DATE	APPROVED
All	0	Initial Release	14MAY98	Chidley
	1	Edited text	08Apr11	
	3	Changed footer note, added confidential note, modified title, title box and rev table.	03JUN13	THD



NOTES:

- *1. Standard 'U' lengths available: 1.2", 2", 3", 4", 6", 9", 12" & 18"
- *2. Custom 'U' length:

UNLESS OTHERWISE SPECIFIED:		NAME	DATE
DIMENSIONS ARE IN INCHES	DRAWN	MW	13MAY13
TOLERANCES: ANGULAR: 0.5°	CHECKED	EC	21MAY13
ONE PLACE DECIMAL ±0.1	ENG APPR.	TDH	03JUN13
TWO PLACE DECIMAL ±0.02			
THREE PLACE DECIMAL ±0.007			
INTERPRET GEOMETRIC TOLERANCING PER:			
MATERIAL	COMMENTS:		
FINISH			
DO NOT SCALE DRAWING			



TITLE:
CLASSIC 810 Series
 3/4" MNPT; 1.2", 2", 3", 4", 6", 9", 12" & 18" 'U'
 Remote Electronics
 Mounting Drawing


SIZE	DWG. NO.	REV
B	D15-810-RADXXXX-RE	2

BOM			
ITEM	DESCRIPTION	PART NUMBER	QTY
*1	Sensor, 3/4" MNPT	P02-RADXXXX	1
2	Flameproof Enclosure (3/4" x 1" FNPT) c/w Terminal Assembly	N10-100A-D	1
2a	<input type="checkbox"/> Glass Lens Cover - Flameproof	M10-1G00	1
2b	<input checked="" type="checkbox"/> Blind Cover - Flameproof	M10-1B00	1
3	Remote Terminal Assembly For Sensor Enclosure	1790-0622-C	1
4	Nameplate, Foil	2400-0002	1
5	Nameplate, Overlay	2401-0001	1

***1. Sensor Assembly Selection Guide:**

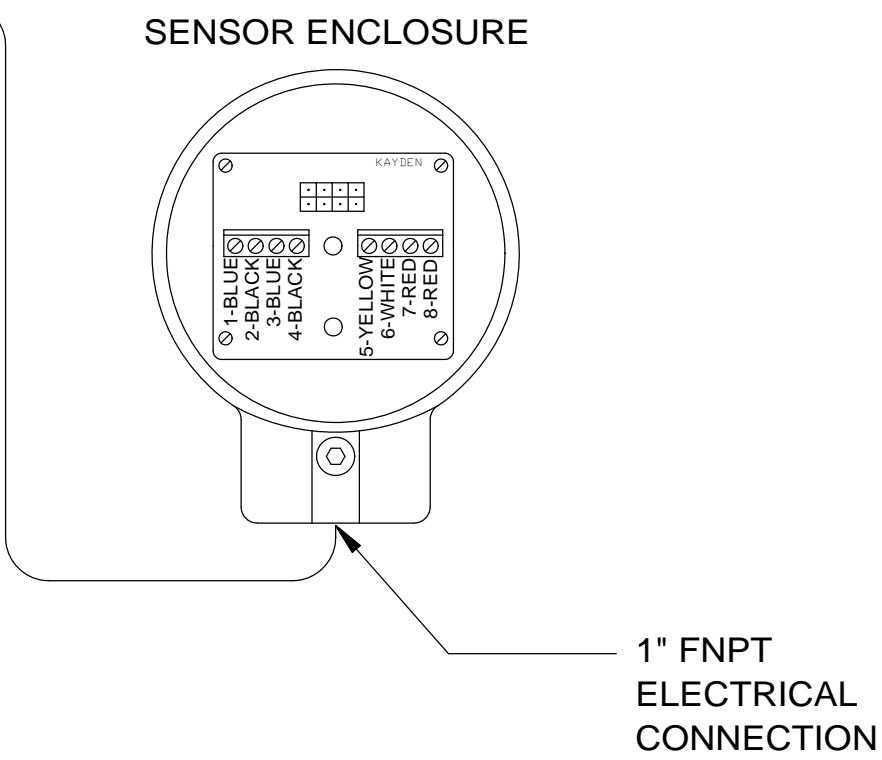
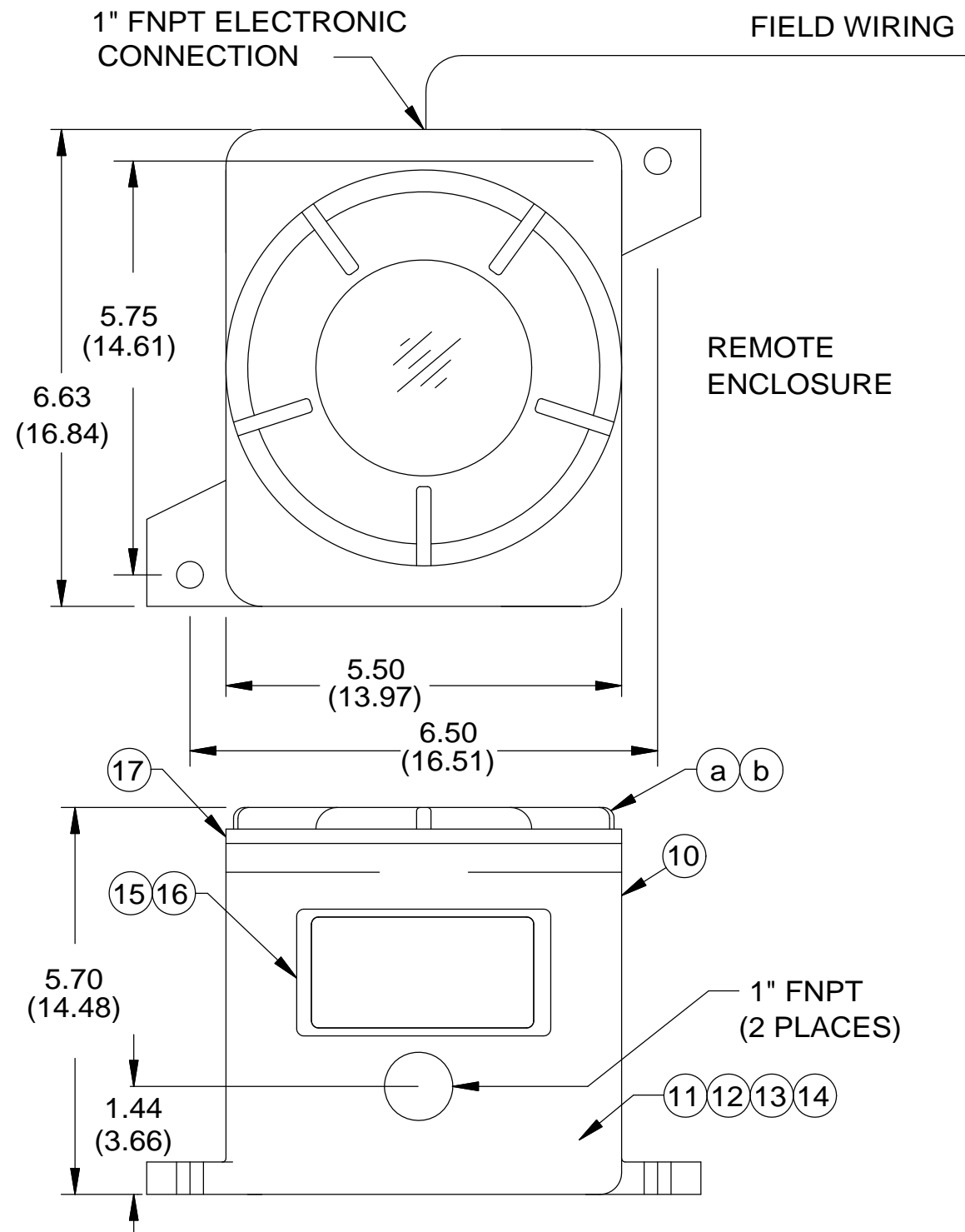
P02-RADXXXX Where XXXX = Desired 'U' Length in Inches.

eg. 1.2"U = P02-RAD0012	6"U = P02-RAD0060
2"U = P02-RAD0020	9"U = P02-RAD0090
3"U = P02-RAD0030	12"U = P02-RAD0120
4"U = P02-RAD0040	18"U = P02-RAD0180

UNLESS OTHERWISE SPECIFIED:		NAME	DATE		
DIMENSIONS ARE IN INCHES		DRAWN	MW		13MAY13
TOLERANCES: ANGULAR: 0.5° ONE PLACE DECIMAL ±0.1 TWO PLACE DECIMAL ±0.02 THREE PLACE DECIMAL ±0.007		CHECKED	EC		21MAY13
INTERPRET GEOMETRIC TOLERANCING PER:		ENG APPR.	TDH		03JUN13
MATERIAL		COMMENTS:		TITLE: Parts List - CLASSIC 810 Series 3/4" MNPT; 1.2", 2", 3", 4", 6", 9", 12" & 18" 'U' Remote Sensor Assembly	
FINISH				SIZE B	
DO NOT SCALE DRAWING				DWG. NO. D15-810-RADXXXX-RE	
				REV 2	
KAYDEN INSTRUMENTS		Calgary, Alberta, Canada		Phone: +1.403.253.1423	
				kayden.com	
		SCALE: NTS		WEIGHT:	
				SHEET 2 OF 2	

REVISIONS				
ZONE	REV.	DESCRIPTION	DATE	APPROVED
All	0	Initial Release	03Jun13	TDH

D
I
C
B
A



NOTES:

- 1. WIRE ACCORDING TO CONNECTION DIAGRAM.

UNLESS OTHERWISE SPECIFIED:		NAME	DATE
DIMENSIONS ARE IN INCHES	DRAWN	MW	13MAY13
TOLERANCES: ANGULAR: 0.5°	CHECKED	EC	21MAY13
ONE PLACE DECIMAL ±0.1	ENG APPR.	TDH	03JUN13
TWO PLACE DECIMAL ±0.02			
THREE PLACE DECIMAL ±0.007			
INTERPRET GEOMETRIC TOLERANCING PER:	COMMENTS:		
MATERIAL			
FINISH			
DO NOT SCALE DRAWING			




TITLE:
CLASSIC Series
Remote Electronics
Flameproof Enclosure (CSA)

SIZE	DWG. NO.	REV
B	7730-0000-CSA	0

SCALE: NTS	WEIGHT:	SHEET 1 OF 2
------------	---------	--------------

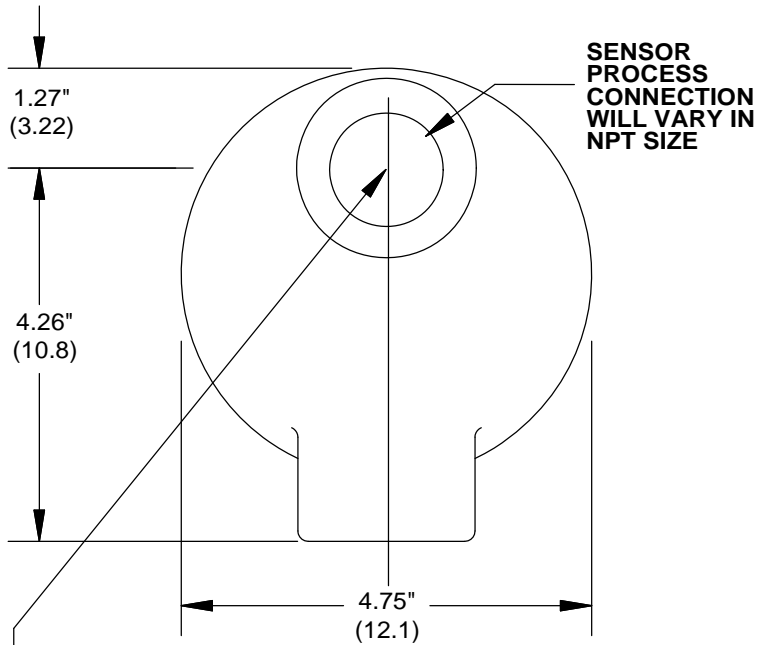
8 7 6 5 4 3 2 1

BOM			
ITEM	DESCRIPTION	PART NUMBER	QTY
10	Flameproof Remote Enclosure	1409-1201	1
a	<input type="checkbox"/> Glass Lens Cover - Flameproof	1409-1208	1
b	<input type="checkbox"/> Blind Cover - Flameproof	1409-1207	1
11	Terminal Assembly	2511-0012	1
12	Ground Screw	2540-0023	1
13	CLASSIC Electronics Module (12-24 VDC, 115-230 VAC)	L10-800-C-E	1
14	Mounting Screws (316 SS)	2540-0007	2
15	Nameplate, Foil	2400-0007	1
16	Nameplate, Overlay	2401-0001	1
17	Cover Gasket	1499-1301	1

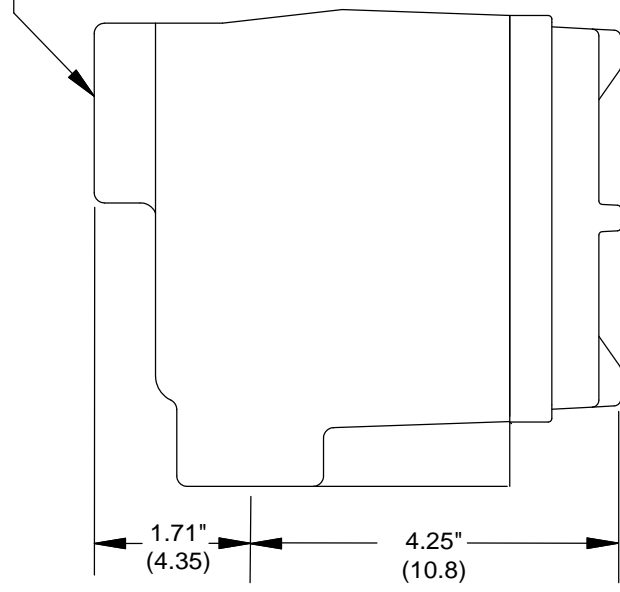
UNLESS OTHERWISE SPECIFIED:		NAME	DATE		
DIMENSIONS ARE IN INCHES		DRAWN	MW		13MAY13
TOLERANCES: ANGULAR: 0.5°		CHECKED	EC		21MAY13
ONE PLACE DECIMAL ±0.1 TWO PLACE DECIMAL ±0.02 THREE PLACE DECIMAL ±0.007		ENG APPR.	TDH		03JUN13
INTERPRET GEOMETRIC TOLERANCING PER:				TITLE:	
MATERIAL		COMMENTS:		Parts List - CLASSIC Series Remote Electronics Flameproof Enclosure (CSA)	
FINISH		SIZE	DWG. NO.	REV	
DO NOT SCALE DRAWING		B	7730-0000-CSA	0	
KAYDEN INSTRUMENTS		SCALE: NTS	WEIGHT:	SHEET 2 OF 2	

REVISIONS				
ZONE	REV.	DESCRIPTION	DATE	APPROVED
All	0	Initial Release	03Jun13	TDH

SENSOR AND REMOTE ENCLOSURE REAR VIEW

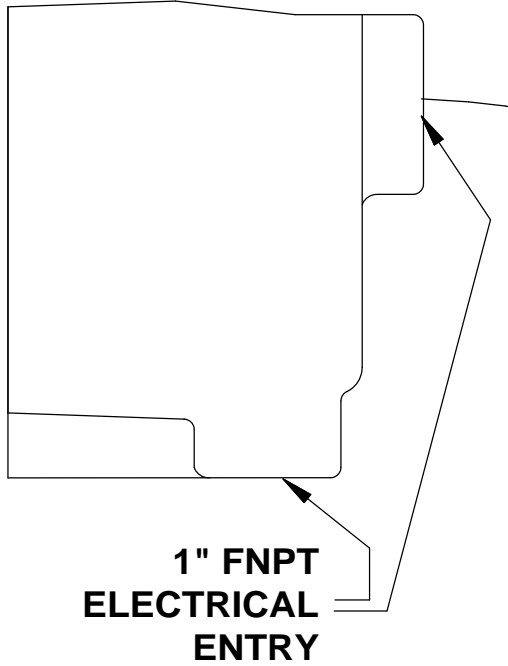


MOUNT SENSOR AND REMOTE ENCLOSURE USING FNPT ENTRY

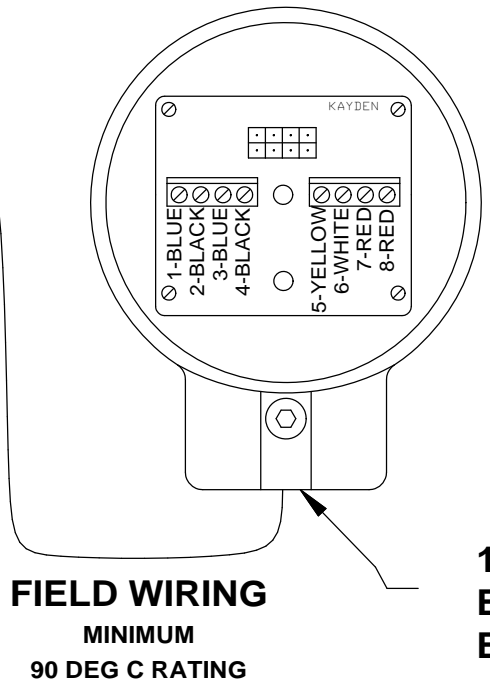


SENSOR AND REMOTE ENCLOSURE SIDE VIEW

REMOTE ENCLOSURE SIDE VIEW



SENSOR ENCLOSURE FRONT VIEW



NOTES:

1. Wire sensor to remote according to connection diagram.

UNLESS OTHERWISE SPECIFIED:		NAME	DATE
DIMENSIONS ARE IN INCHES	DRAWN	MW	13MAY13
TOLERANCES: ANGULAR: 0.5° ONE PLACE DECIMAL ±0.1 TWO PLACE DECIMAL ±0.02 THREE PLACE DECIMAL ±0.007	CHECKED	EC	21MAY13
INTERPRET GEOMETRIC TOLERANCING PER:	ENG APPR.	TDH	03JUN13
MATERIAL	COMMENTS:		
FINISH			
DO NOT SCALE DRAWING			



CLASSIC Series
Remote Electronics
Flameproof Enclosure (FM)

SIZE	DWG. NO.	REV
B	7730-0000-FM	0