

**NOTES:**

- 1. (1) to (23) see parts list (D15-814-RAAYYYAX-IXXXX-4)
- 2. Customer specified 'U' length. 'U' =
- 3. Install top and bottom mounted units in horizontal pipe with flow arrow  $\longleftrightarrow$  parallel to flow direction.
- 4. Flange: Size: \_\_\_\_\_ Material: \_\_\_\_\_

Information contained in this document is confidential and proprietary information of Telematic Controls Inc. This document may not be reproduced or distributed for any reason without express written permission of Telematic Controls Inc. All rights of design, invention and copyright are reserved.

Rev	Description	App.	Date
0	Initial release	Webster	09May02
1	Edited text		13Apr11
2	Changed footer note. Added confidential note. Modified Title box & Rev.&Ref. tables. Modified notes.	TDH	03Jun13

REFERENCE DWGS:	
D15-814-RAAYYYAX-IXXXX-5	
D15-814-RAAYYYAX-IXXXX-4	


APPROVALS		DATE
DRN	MW	13MAY13
CHKD	EC	22MAY13
APP	TDH	03JUN13

All dimensions are shown in inches with cm shown in brackets

TOLERANCES ARE:

DECIMALS	ANGLES
.X ± 0.1	±0.5°
.XX ± 0.02	
.XXX ± 0.007	



**TITLE** CLASSIC 814 Series  
**Packing Gland - Flanged - 1" MNPT**  
 Medium Pressure (500 psi)  
 Remote Electronics

SIZE A3	DWG NO. D15-814-RAAYYYAX-IXXXX-3	REV 2
SCALE NTS		SHEET 1 OF 5

ITEM	DESCRIPTION	PART NUMBER	QTY
*1	Sensor Assembly; (probe only)	P32-RAEXXXX	1
2	Flameproof Enclosure (3/4" x 1" FNPT)	N10-100A-D	1
3a	<input type="checkbox"/> Glass Lens Cover - Flameproof	M10-1G00	1
3b	<input checked="" type="checkbox"/> Blind Cover - Flameproof	M10-1B00	1
4	Remote Terminal Assembly For Sensor Enclosure	1790-0622-C	1
5	Nameplate, Foil	2400-0002	1
6	Nameplate, Overlay	2401-0001	1
7	Rear Support, Medium Pressure	2510-0311-1	1
8	5/8" Threaded Rod - Modified	2510-0414	'U' + 7"
9	5/8" Flat Washer	2510-0427	8
10	Hex Nut, 5/8" UNC	2510-0417	8
11	Cotterpin	2510-0415	4
12	Hardware Reducer 3/4" x 1/2" (Optional)	2510-0021	1
***** FOR ITEMS (12 - 23) REFER TO DWG D15-814-RAAYYYAX-IXXXX-5 (DETAIL 'A') *****			
13	Nut	2510-0305-B	1
14	Hex Cap Screw, 1/4" - 28 x 1/2" SS	2540-0020	4
15	Packing Follower	2510-0307-B	1
16	Seal Follower	2510-0304-B	1
17	Seal (U-Cup)	2510-0440	1
18	Nut w/Coupling	2510-0306-B	1
19	Stainless Set Screw, 10 - 24 x 3/8" Allen	2540-0021	1
20	Sleeve	2510-0300-B	1
21	1/8" SQ. Teflon	Z2510-0429	A/R
22	Front Support, Medium Pressure	2510-0413-1	1
23	Flange	YYY	1

**NOTES:**

\*1. a) **Sensor Assembly Selection Guide:**

P22-RAAYYYAX-IXXXX-M Where XXXX = Desired Probe 'U' Length.

eg. 'U' Length = 3.5" = P22-RAAYYYAX-I0035-M or 36" = P22-RAAYYYAX-I0360-M


b) I = Imperial (inches)

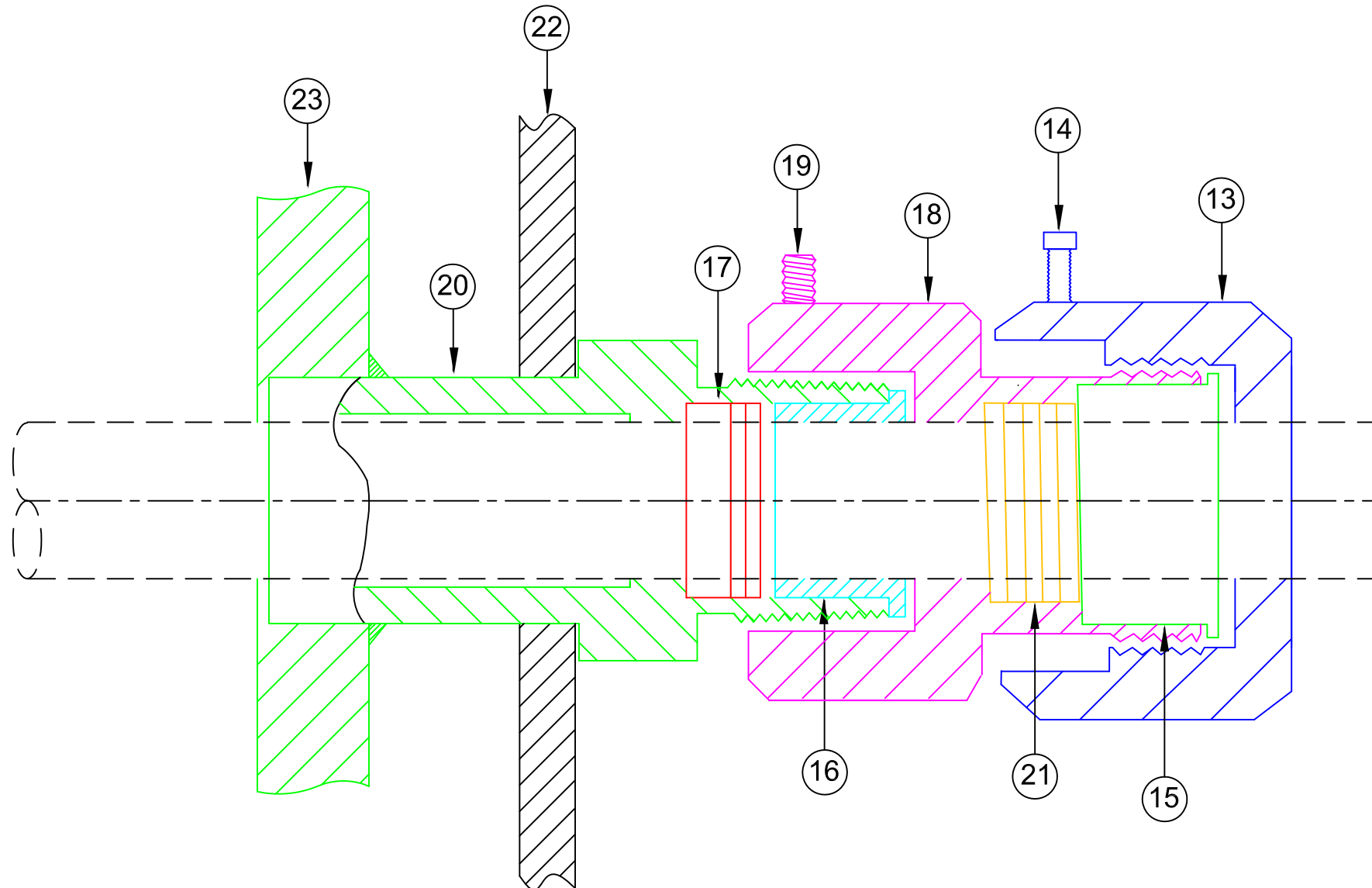
M = Metric (cm)

c) P22-RAAYYYAX-IXXXX-M (Where YYY = Code for type of flange)

eg. Flange = 1 1/2". 150# = (P22-RAA131AX-IXXXX-M) See flange list

Information contained in this document is confidential and proprietary information of Telematic Controls Inc. This document may not be reproduced or distributed for any reason without express written permission of Telematic Controls Inc. All rights of design, invention and copyright are reserved.

Rev	Description	App.	Date	APPROVALS	DATE	
0	Initial release	Garland	17Jan03	DRN MW	16MAY13	
1	Edited text		13Apr11	CHKD EC	22MAY13	
2	Changed footer note. Added confidential note. Modified Title, Title box & Rev. Table. Added to Item 12. Changed P/N Item 7.	TDH	03Jun13	APP TDH	03JUN13	
				All dimensions are shown in inches with cm shown in brackets  TOLERANCES ARE: DECIMALS                      ANGLES .X ± 0.1                              ±0.5° .XX ± 0.02 .XXX ± 0.007		<b>TITLE</b> Parts List - CLASSIC 814 Series <b>Packing Gland - Flanged - 1" MNPT</b> Medium Pressure (500 psi) Remote Electronics
				SIZE A3	DWG NO. D15-814-RAAYYYAX-IXXXX-4	REV 2
				SCALE NTS	SHEET 3 OF 5	



**NOTES:**


- 1. All components - 316 Stainless Steel  
(except packing and front support)

Information contained in this document is confidential and proprietary information of Telematic Controls Inc. This document may not be reproduced or distributed for any reason without express written permission of Telematic Controls Inc. All rights of design, invention and copyright are reserved.

Rev	Description	App.	Date
0	Initial release	Garland	14May98
1	Changed line type on dwg.		
2	Edited text		26Jan11
3	Changed footer note. Added confidential note. Modified, Title, Title box & Rev. & Ref. Tables.	TDH	03Jun13

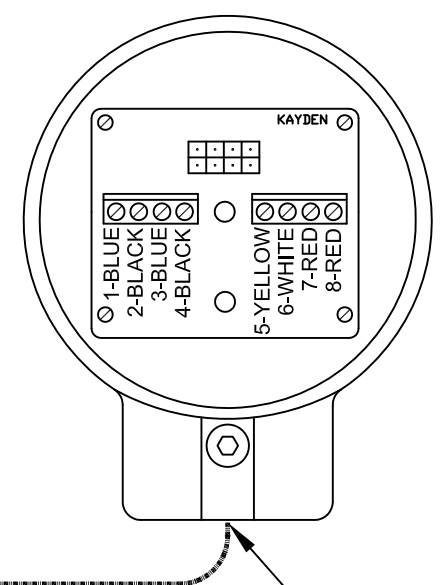
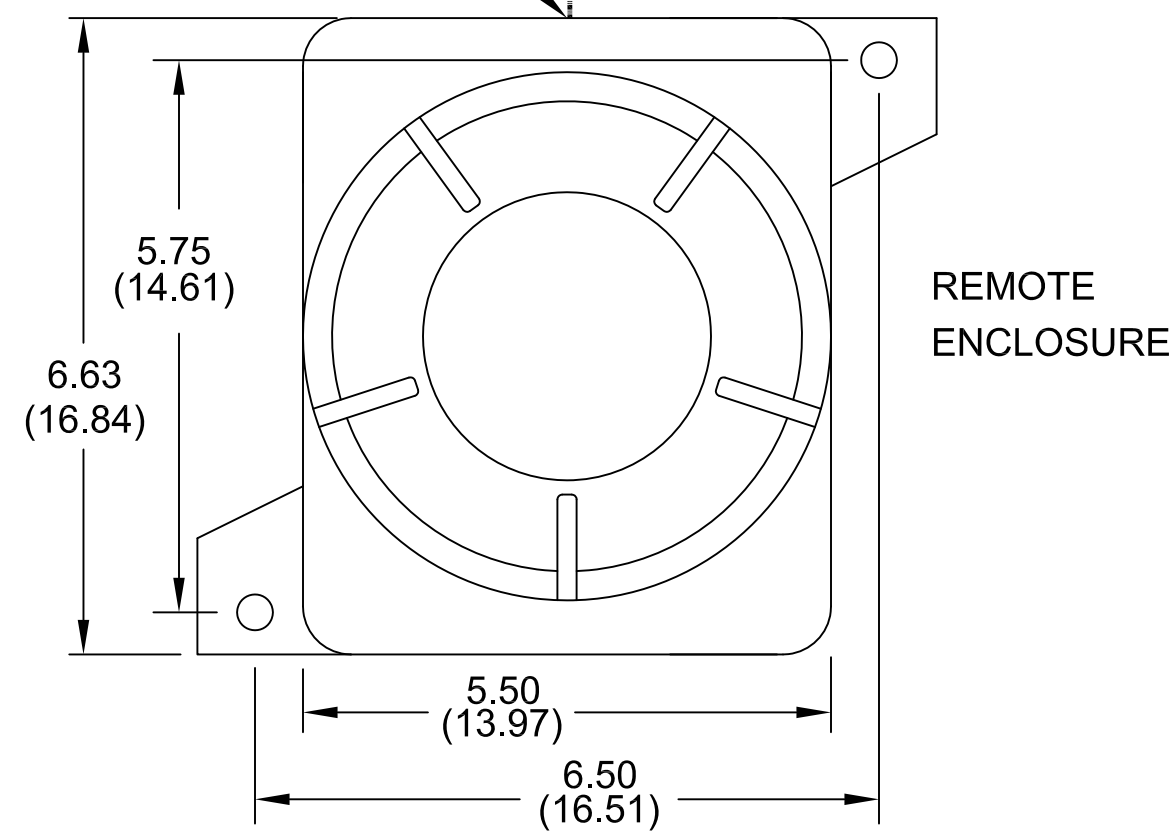
REFERENCE DWGS:	
Local: D15-814-RAAYYAX-XXXX-1	
Local: D15-814-RAAYYAX-XXXX-2	
Remote: D15-814-RAAYYAX-XXXX-3	
Remote: D15-814-RAAYYAX-XXXX-4	

APPROVALS		DATE	
DRN	MW	13MAY13	
CHKD	EC	21MAY13	
APP	TDH	03Jun13	
All dimensions are shown in inches with cm shown in brackets  TOLERANCES ARE: DECIMALS      ANGLES .X ± 0.1            ±0.5° .XX ± 0.02 .XXX ± 0.007			<b>TITLE</b> CLASSIC 814 Series <b>Packing Gland - Flanged - 1" MNPT</b> Medium Pressure (500 psi) Local / Remote Electronics: Detail 'A' Drawing
SIZE A3	DWG NO. D15-814-RAAYYAX-XXXX-5	REV 3	
SCALE NTS		SHEET 2 OF 3 / 5	

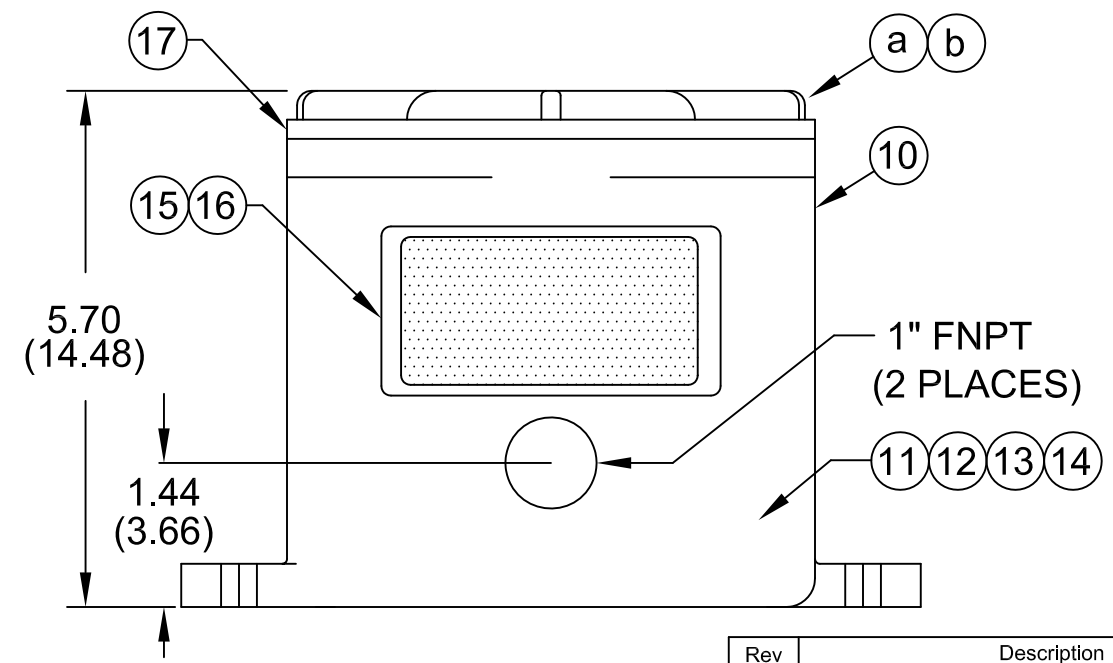
1" FNPT ELECTRONIC CONNECTION

FIELD WIRING

SENSOR ENCLOSURE



1" FNPT ELECTRICAL CONNECTION



Information contained in this document is confidential and proprietary information of Telematic Controls Inc. This document may not be reproduced or distributed for any reason without express written permission of Telematic Controls Inc. All rights of design, invention and copyright are reserved.

APPROVALS	DATE
DRN MW	13MAY13
CHKD EC	21MAY13
APP TDH	03JUN13

**KAYDEN**<sup>®</sup>  
INSTRUMENTS

All dimensions are shown in inches with cm shown in brackets

TOLERANCES ARE:

DECIMALS	ANGLES
.X ± 0.1	±0.5°
.XX ± 0.02	
.XXX ± 0.007	

TITLE: CLASSIC Series Remote Electronics Flameproof Enclosure (CSA)

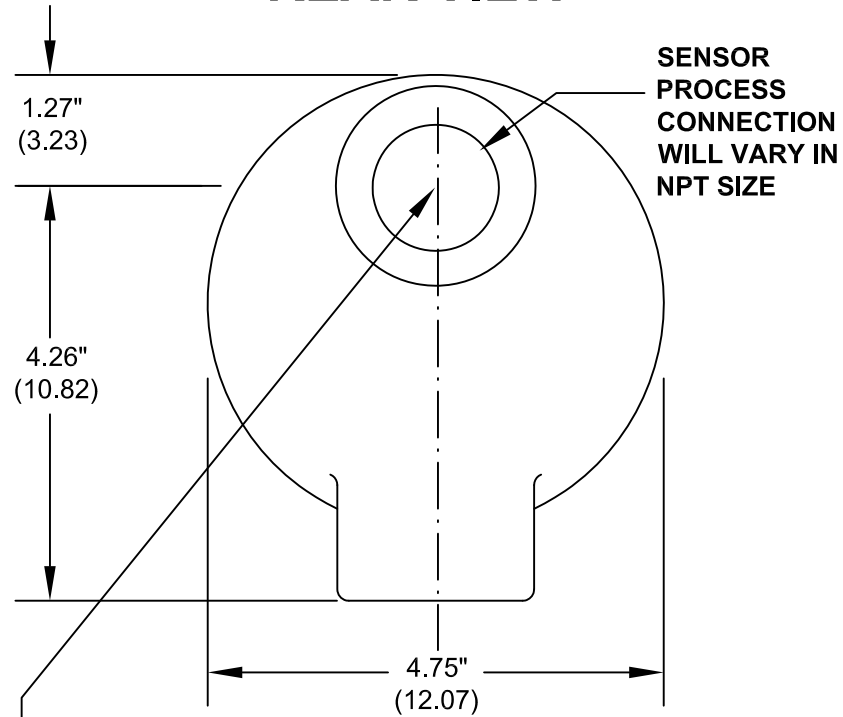
SIZE A3	DWG NO. 7730-0000-1-CSA	REV 0
SCALE NTS		SHEET 3 OF 4 (or 4 OF 5)

Rev	Description	App.	Date
0	Initial release	TDH	03Jun13

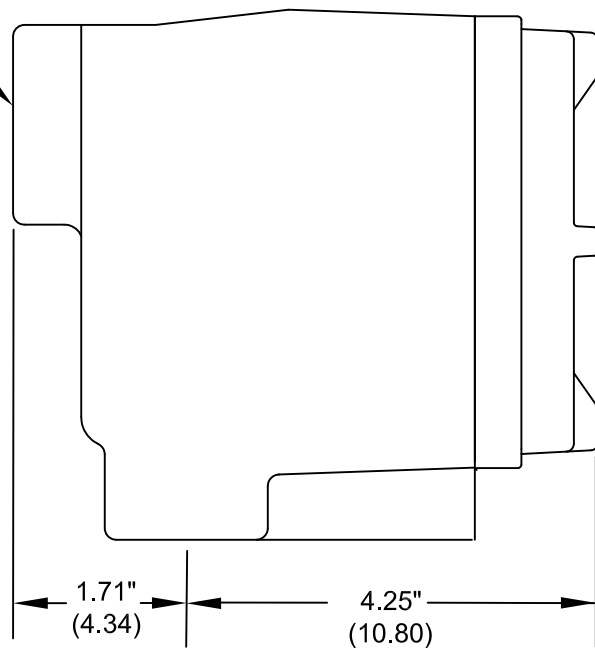
NOTES:  
1. Wire according to connection diagram.



### SENSOR AND REMOTE ENCLOSURE REAR VIEW



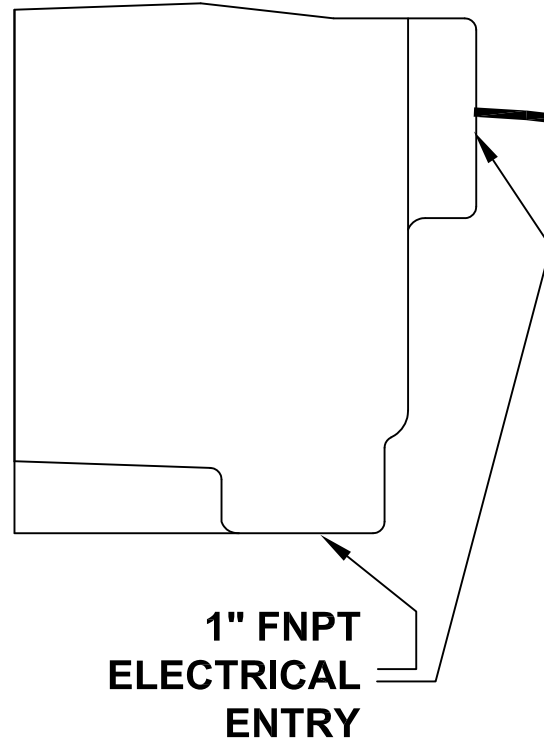
**MOUNT SENSOR AND REMOTE ENCLOSURE USING FNPT ENTRY**



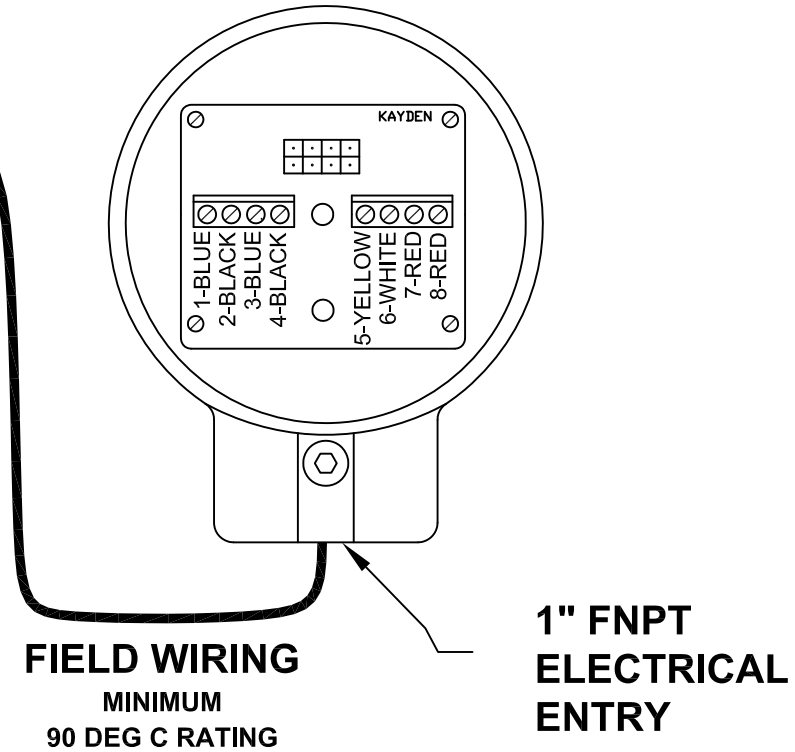
**NOTES:**

1. Wire sensor to remote according to connection diagram.

### REMOTE ENCLOSURE SIDE VIEW




### SENSOR ENCLOSURE FRONT VIEW



### SENSOR AND REMOTE ENCLOSURE SIDE VIEW

Rev	Description	App.	Date
0	Initial release	TDH	03Jun13

Information contained in this document is confidential and proprietary information of Telematic Controls Inc. This document may not be reproduced or distributed for any reason without express written permission of Telematic Controls Inc. All rights of design, invention and copyright are reserved.

APPROVALS		DATE	
DRN	MW	13MAY13	
CHKD	EC	21MAY13	
APP	TDH	03JUN13	
All dimensions are shown in inches with cm shown in brackets  TOLERANCES ARE: DECIMALS      ANGLES .X ± 0.1            ±0.5° .XX ± 0.02 .XXX ± 0.007			<b>TITLE</b> CLASSIC Series Sensor and Remote Flameproof Enclosure (FM)
SIZE A3	DWG NO. 7730-0000-1-FM	REV 0	
SCALE NTS		SHEET 1 OF 1	