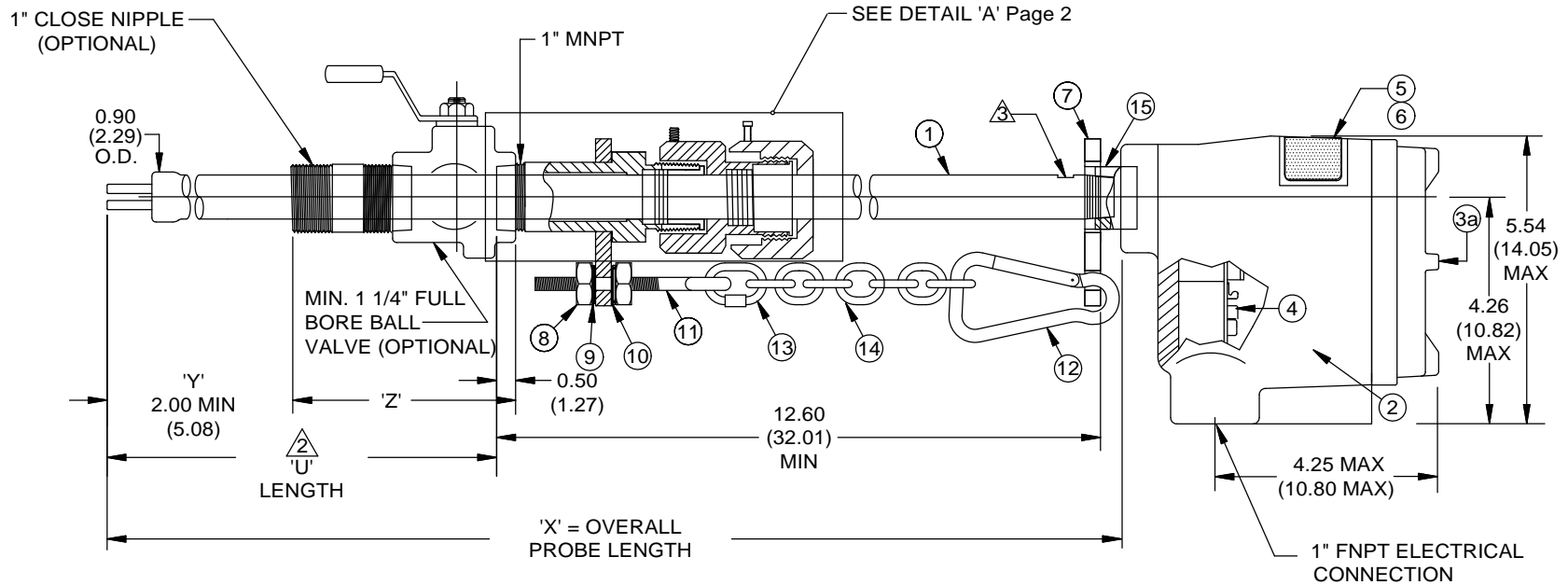


REVISIONS				
ZONE	REV.	DESCRIPTION	DATE	APPROVED
All	0	Initial Release	14May98	Webster
	1	Edited text	26Jun11	
	2	Changed footer note. Added confidential note. Modified title box & rev. table. Deleted 'U' formula. Modified notes. Deleted 4 triangle detail. Changed P/N Item 7, 16. Added to item 15.	03Jun13	TDH



**NOTES:**

- 1. (1) to (25) see parts list Page 3.
- 2. Customer specified 'U' length. 'U' =
- 3. Install top and bottom mounted units in horizontal pipe with flow arrow  $\longleftrightarrow$  parallel to flow direction.

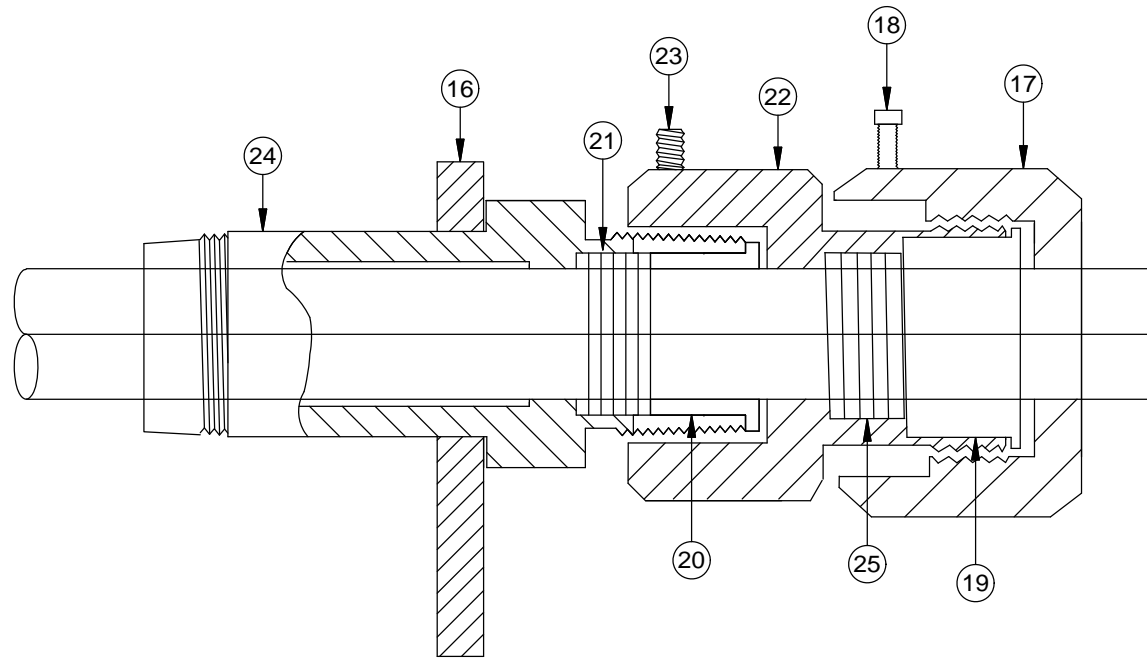
UNLESS OTHERWISE SPECIFIED:	NAME	DATE
DIMENSIONS ARE IN INCHES	DRAWN MW	13MAY13
TOLERANCES: ANGULAR: 0.5°	CHECKED EC	23MAY13
ONE PLACE DECIMAL ±0.1	ENG APPR. TDH	03JUN13
TWO PLACE DECIMAL ±0.02		
THREE PLACE DECIMAL ±0.007		
INTERPRET GEOMETRIC TOLERANCING PER:	COMMENTS:	
MATERIAL		
FINISH		
DO NOT SCALE DRAWING		

**KAYDEN**  
INSTRUMENTS

TITLE:  
**CLASSIC 816 Series**  
Packing Gland - Threaded - 1" MNPT  
Low Pressure (125 PSI) w/Safety Chain  
Local Electronics

SIZE <b>B</b>	DWG. NO. D15-816-RAEJ-XXXX-LE	REV 2
------------------	----------------------------------	----------

SCALE: NTS      WEIGHT:      SHEET 1 OF 3



**NOTES:**

- 1. All components - 316 Stainless Steel  
(except packing)

UNLESS OTHERWISE SPECIFIED:		NAME	DATE
DIMENSIONS ARE IN INCHES	DRAWN	MW	13MAY13
TOLERANCES: ANGULAR: 0.5°	CHECKED	EC	23MAY13
ONE PLACE DECIMAL ±0.1	ENG APPR.	TDH	03JUN13
TWO PLACE DECIMAL ±0.02			
THREE PLACE DECIMAL ±0.007			
INTERPRET GEOMETRIC TOLERANCING PER:	COMMENTS:		
MATERIAL			
FINISH			
DO NOT SCALE DRAWING			

**KAYDEN**<sup>®</sup>  
INSTRUMENTS

TITLE:  
**CLASSIC 816 Series**  
Packing Gland - Threaded - 1" MNPT  
Low Pressure (125 PSI) w/Safety Chain  
Local/Remote Electronics: Detail 'A' Drawing

SIZE	DWG. NO.	REV
<b>B</b>	D15-816-RAEJ-XXXX-LE	2

SCALE: NTS      WEIGHT:      SHEET 2 OF 3

BOM			
ITEM	DESCRIPTION	PART NUMBER	QTY
*1	Sensor Assembly, (probe only)	P32-RAEJXXXX	1
2	Flameproof Enclosure (3/4" x 1" FNPT)	M10-100A-D	1
3a	☒ Glass Lens Cover - Flameproof	M10-1G00	1
3b	☐ Blind Cover - Flameproof	M10-1B00	1
4	CLASSIC Electronics Module (12-24 VDC, 115-230 VAC)	L10-800-C-E	1
5	Nameplate, Foil	2400-0002	1
6	Nameplate, Overlay	2401-0001	1
7	Rear Support, Low Pressure w/Chain	2510-0311	1
8	5/16" Nut, SS	2510-0418	2
9	5/16" Lock Washer, SS	2510-0424	2
10	5/16" Flat Washer, SS	2510-0425	2
11	5/16" x 4 1/4" Eyebolt-Galv. CS	2510-0433	1
12	Snap Spring, 1/2" SS	2510-0435	1
13	3/16" Quick Link, SS	2510-0436	1
14	3/16" Zinc Plated Chain	2510-0437	4
15	Hardware Reducer 3/4" x 1/2" (Optional)	2510-0021	1
***** ITEMS 16 THROUGH 25 REFER TO PAGE 2 (DETAIL 'A') *****			
16	Front Support, Low Pressure w/Chain	2510-0313	1
17	Nut	2510-0305-B	1
18	Hex Cap Screw, 1/4" - 28 x 1/2" SS	2540-0020	1
19	Packing Follower	2510-0307-B	1
20	Seal Follower	2510-0304-B	1
21	Seal (U-Cup)	2510-0440	1
22	Nut w/Coupling	2510-0306-B	1
23	Stainless Steel Set Screw, 10-24 x 3/8" Allen	2540-0021	1
24	Sleeve	2510-0300-B	1
25	1/8" SQ. Teflon	Z2510-0429	A/R

**NOTES:**

**\*1. Sensor Assembly Selection Guide:**

P32-RAEJXXXX where XXXX = desired probe 'U' length.

eg. 6" = P32-RAEJ0060      36" = P32-RAEJ0360

12" = P32-RAEJ0120      48" = P32-RAEJ0480

18" = P32-RAEJ0180      60" = P32-RAEJ0600

24" = P32-RAEJ0240

UNLESS OTHERWISE SPECIFIED:		NAME	DATE
DIMENSIONS ARE IN INCHES		MW	13MAY13
TOLERANCES:		CHECKED	EC
ANGULAR: 0.5°		ENG APPR.	TDH
ONE PLACE DECIMAL ±0.1			
TWO PLACE DECIMAL ±0.02			
THREE PLACE DECIMAL ±0.007			
INTERPRET GEOMETRIC TOLERANCING PER:			
MATERIAL			
FINISH		COMMENTS:	
DO NOT SCALE DRAWING			
KAYDEN INSTRUMENTS    Calgary, Alberta, Canada    Phone: +1.403.253.1423    kayden.com			



**CLASSIC 816 Series**  
Packing Gland - Threaded - 1" MNPT  
Low Pressure (125 PSI) w/Safety Chain  
Local Electronics

SIZE	DWG. NO.	REV
<b>B</b>	D15-816-RAEJ-XXXX-LE	<b>2</b>
SCALE: NTS	WEIGHT:	SHEET 3 OF 3