

8 7 6 5 4 3 2 1

REVISIONS				
ZONE	REV.	DESCRIPTION	DATE	APPROVED
All	0	Initial Release	14MAY98	Chidley
	1	Edited text	08APR11	
	2	Changed footer note, added confidential note, modified title, title box and rev table. Deleted 24"U'.	03JUN13	TDH
ALL	3	Updated probe dimensions.	25OCT18	BT

D

D

C

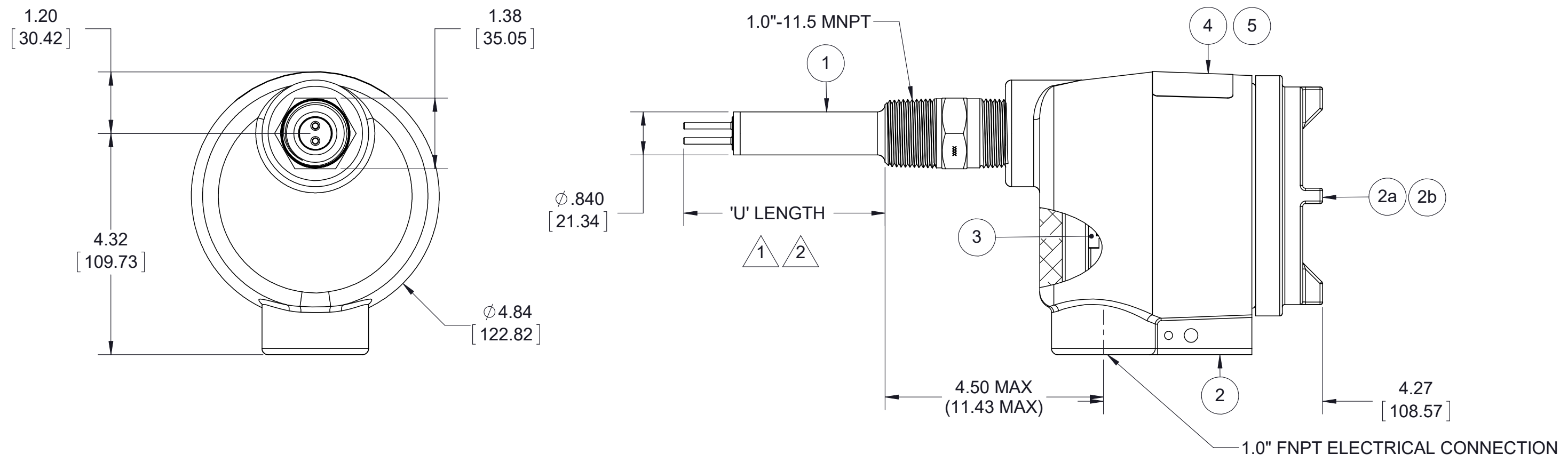
C

B

B

A

A



**NOTES:**

- 1 Standard 'U' lengths available: 1.2", 2", 3", 4", 6", 9", 12" & 18"
- 2 Custom 'U' length:

UNLESS OTHERWISE SPECIFIED:		NAME	DATE
DIMENSIONS ARE IN INCHES	DRAWN	MW	14MAY13
TOLERANCES: ANGULAR: 0.5° ONE PLACE DECIMAL ±0.1 TWO PLACE DECIMAL ±0.02 THREE PLACE DECIMAL ±0.007	CHECKED	EC	17MAY13
INTERPRET GEOMETRIC TOLERANCING PER:	ENG APPR.	TDH	03JUN13
MATERIAL	COMMENTS:		
FINISH			
DO NOT SCALE DRAWING			



TITLE:  
**CLASSIC 810 Series**  
 1" MNPT; 1.2", 2", 3", 4", 6", 9", 12" & 18" 'U'  
 Remote Electronics  
 Mounting Drawing

SIZE	DWG. NO.	REV
<b>B</b>	D15-810-RAE-XXXX-RE	3

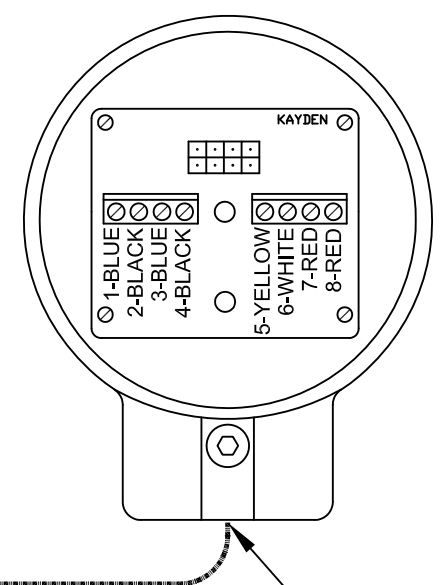
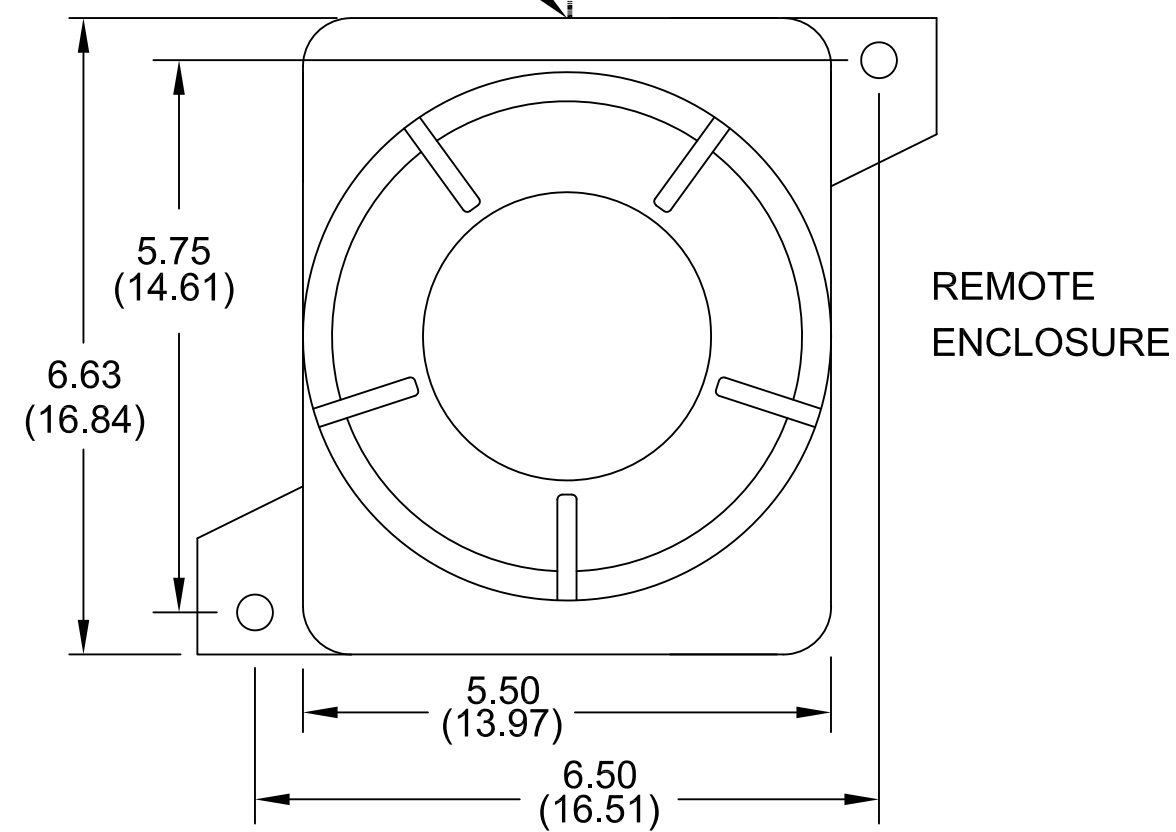
8 7 6 5 4 3 2 1



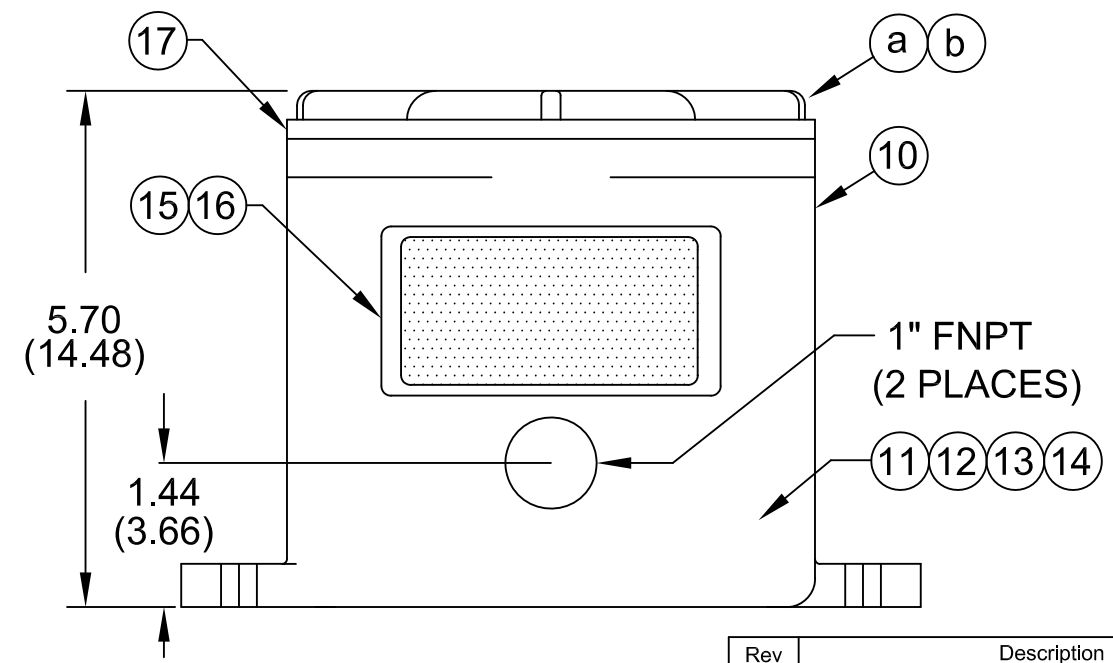
1" FNPT ELECTRONIC CONNECTION

FIELD WIRING

SENSOR ENCLOSURE

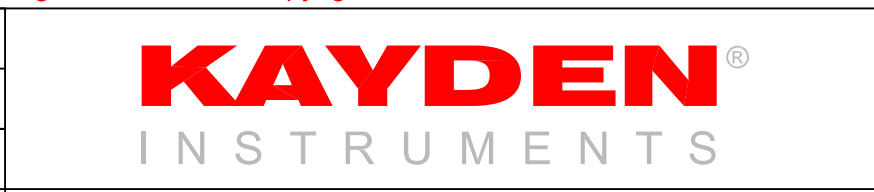


1" FNPT ELECTRICAL CONNECTION



Information contained in this document is confidential and proprietary information of Telematic Controls Inc. This document may not be reproduced or distributed for any reason without express written permission of Telematic Controls Inc. All rights of design, invention and copyright are reserved.

APPROVALS	DATE
DRN MW	13MAY13
CHKD EC	21MAY13
APP TDH	03JUN13



All dimensions are shown in inches with cm shown in brackets

TOLERANCES ARE:

DECIMALS	ANGLES
.X ± 0.1	±0.5°
.XX ± 0.02	
.XXX ± 0.007	

TITLE CLASSIC Series Remote Electronics Flameproof Enclosure (CSA)

SIZE A3 DWG NO. 7730-0000-1-CSA REV 0

SCALE NTS SHEET 3 OF 4

Rev	Description	App.	Date
0	Initial release	TDH	03Jun13

NOTES:  
1. Wire according to connection diagram.

