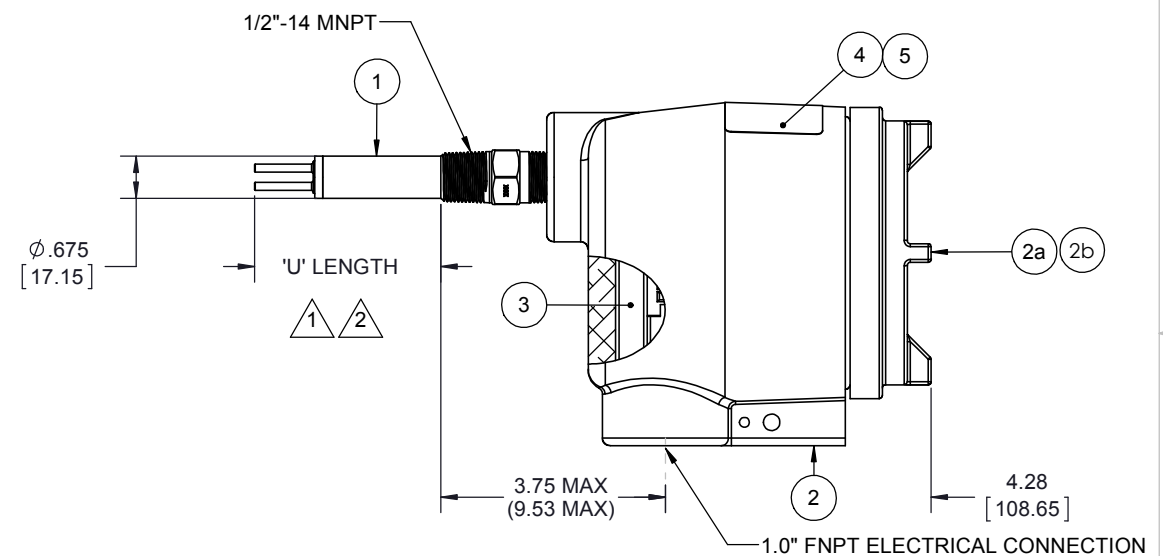
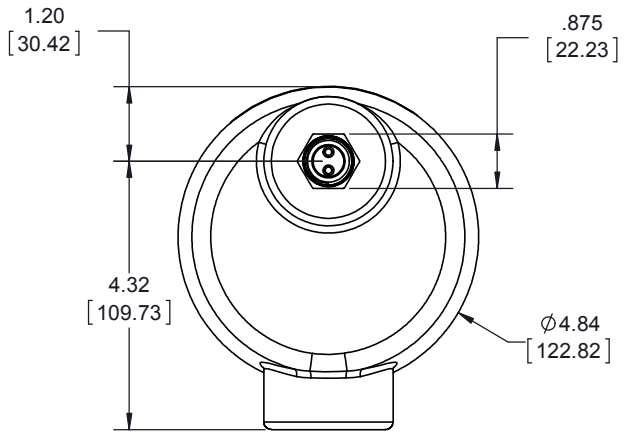


8 7 6 5 4 3 2 1

REVISIONS				
ZONE	REV.	DESCRIPTION	DATE	APPROVED
All	0	Initial Release	14MAY98	Chidley
	1	Edited text	26JAN11	
	2	Edited dimensions	31MAR11	
	3	Changed footer note, added confidential note, modified title box and rev table. Fixed probe diam. Deleted 24"U'. Added rows on dwg. Fixed Item 2	03JUN13	THD
ALL	4	UPDATED TO NEWEST VERSION PROBE.	22OCT18	



NOTES:

- 1 Standard 'U' lengths available: 1.2", 2", 3", 4", 6", 9", 12" & 18"
- 2 Custom 'U' length:

UNLESS OTHERWISE SPECIFIED:	NAME	DATE
DIMENSIONS ARE IN INCHES	DRAWN MW	14MAY13
TOLERANCES: ANGULAR: 0.5°	CHECKED EC	16MAY13
ONE PLACE DECIMAL ±0.1	ENG APPR. TDH	03JUN13
TWO PLACE DECIMAL ±0.02		
THREE PLACE DECIMAL ±0.007		
INTERPRET GEOMETRIC TOLERANCING PER:	COMMENTS:	
MATERIAL		
FINISH		
DO NOT SCALE DRAWING		



TITLE: **CLASSIC 810 Series**
 1/2" MNPT; 1.2", 2", 3", 4", 6", 9", 12" & 18" 'U'
 Local Electronics
 Mounting Drawing

SIZE	DWG. NO.	REV
B	D15-810-RAC-XXXX-LE	4


8 7 6 5 4 3 2 1

BOM			
ITEM	DESCRIPTION	PART NUMBER	QTY
*1	Sensor, 1/2" MNPT	P02-RAC-XXXX-X	1
2	Flameproof Enclosure (1/2" x 1" FNPT) c/w Terminal Assembly	N10-100A-C	1
2a	<input checked="" type="checkbox"/> Glass Lens Cover - Flameproof	M10-1G00	1
2b	<input type="checkbox"/> Blind Cover - Flameproof	M10-1B00	1
3	CLASSIC Electronics Module (12-24 VDC, 115-230 VAC)	L10-800-C-E	1
4	Nameplate, Foil	2400-0002	1
5	Nameplate, Overlay	2401-0001	1

***1. Sensor Assembly Selection Guide:**

P02-RAC-XXXX Where XXXX = Desired 'U' Length in Inches.

- | | |
|--------------------------|---------------------|
| eg. 1.2"U = P02-RAC-0012 | 6"U = P02-RAC-0060 |
| 2"U = P02-RAC-0020 | 9"U = P02-RAC-0090 |
| 3"U = P02-RAC-0030 | 12"U = P02-RAC-0120 |
| 4"U = P02-RAC-0040 | 18"U = P02-RAC-0180 |

UNLESS OTHERWISE SPECIFIED: DIMENSIONS ARE IN INCHES TOLERANCES: ANGULAR: 0.5° ONE PLACE DECIMAL ±0.1 TWO PLACE DECIMAL ±0.02 THREE PLACE DECIMAL ±0.007 INTERPRET GEOMETRIC TOLERANCING PER: MATERIAL FINISH DO NOT SCALE DRAWING		NAME	DATE
	DRAWN	MW	14MAY13
	CHECKED	EC	16MAY13
	ENG APPR.	TDH	03JUN13
	COMMENTS:		
			
TITLE: Parts List - CLASSIC 810 Series 1/2" MNPT; 1.2", 2", 3", 4", 6", 9", 12" & 18" 'U' Local Electronics			
SIZE	DWG. NO.	REV	
B	D15-810-RAC-XXXX-LE	4	
SCALE: NTS	WEIGHT:	SHEET 2 OF 2	