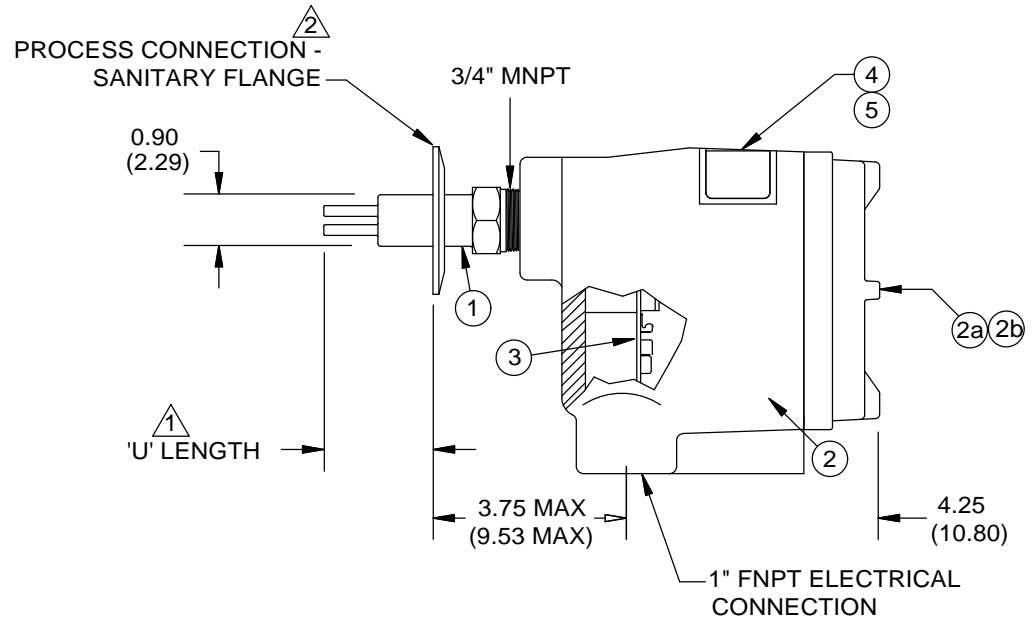
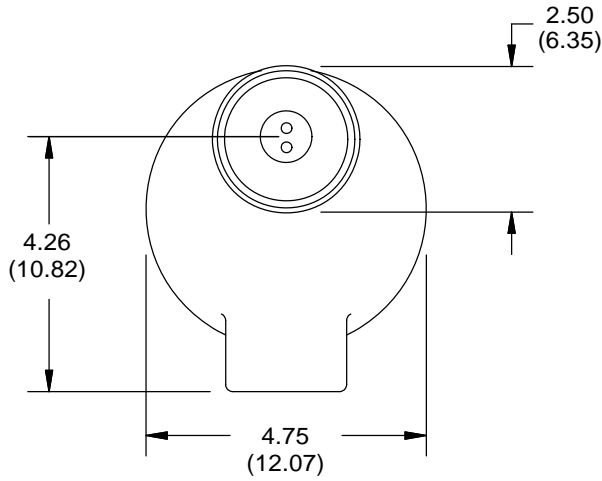


8 7 6 5 4 3 2 1

REVISIONS				
ZONE	REV.	DESCRIPTION	DATE	APPROVED
All	0	Initial Release	04Jun13	TDH



**NOTES:**

- ① Custom 'U' length:
- ② Process connection - sanitary flanges available:  
1", 1.5", 2", 2.5", 3" & 3.5"

UNLESS OTHERWISE SPECIFIED:		NAME	DATE
DIMENSIONS ARE IN INCHES	DRAWN	MW	13MAY13
TOLERANCES:	CHECKED	EC	23MAY13
ANGULAR: 0.5°	ENG APPR.	TDH	04JUN13
ONE PLACE DECIMAL ±0.1			
TWO PLACE DECIMAL ±0.02			
THREE PLACE DECIMAL ±0.007			
INTERPRET GEOMETRIC TOLERANCING PER:	COMMENTS:		
MATERIAL			
FINISH			
DO NOT SCALE DRAWING			



TITLE:  
**CLASSIC 828 Sanitary Flanged Series**  
Remote Electronics  
Mounting Drawing

SIZE	DWG. NO.	REV
<b>B</b>	D15-828-RA6X-XXXX-RE	0


8 7 6 5 4 3 2 1

BOM			
ITEM	DESCRIPTION	PART NUMBER	QTY
*1	Sensor, Flanged	Custom	1
2	Flameproof Enclosure (3/4" x 1" FNPT) c/w Terminal Assembly	N10-100A-D	1
2a	<input checked="" type="checkbox"/> Glass Lens Cover - Flameproof	M10-1G00	1
2b	<input type="checkbox"/> Blind Cover - Flameproof	M10-1B00	1
3	Remote Terminal Assembly For Sensor Enclosure	1790-0622-C	1
4	Nameplate, Foil	2400-0002	1
5	Nameplate, Overlay	2401-0001	1

**\*1. Flanged Sensor Assembly Selection Guide:**

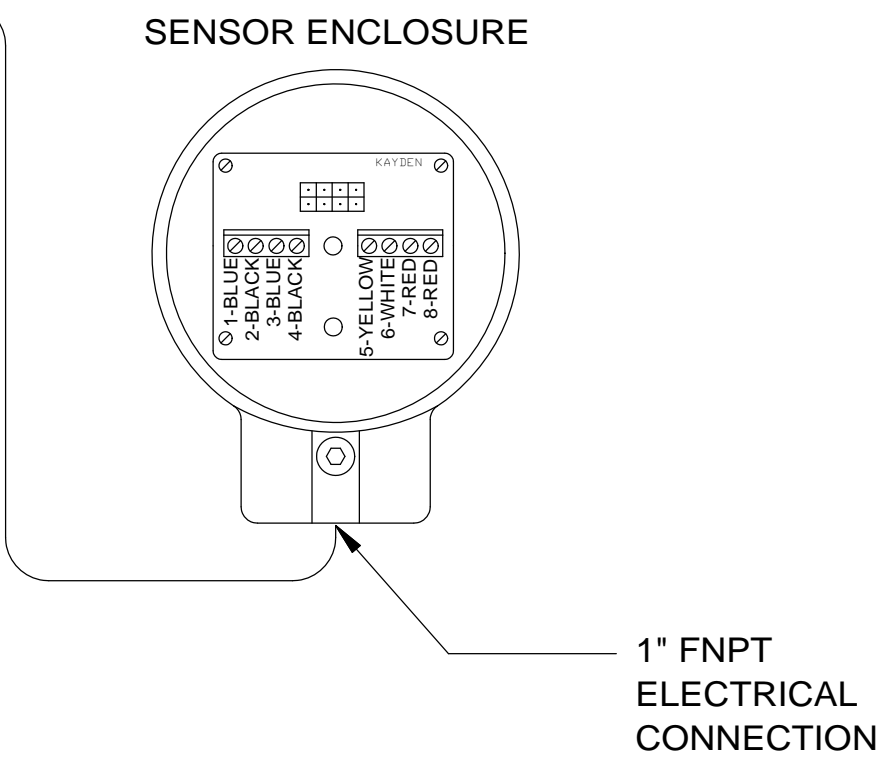
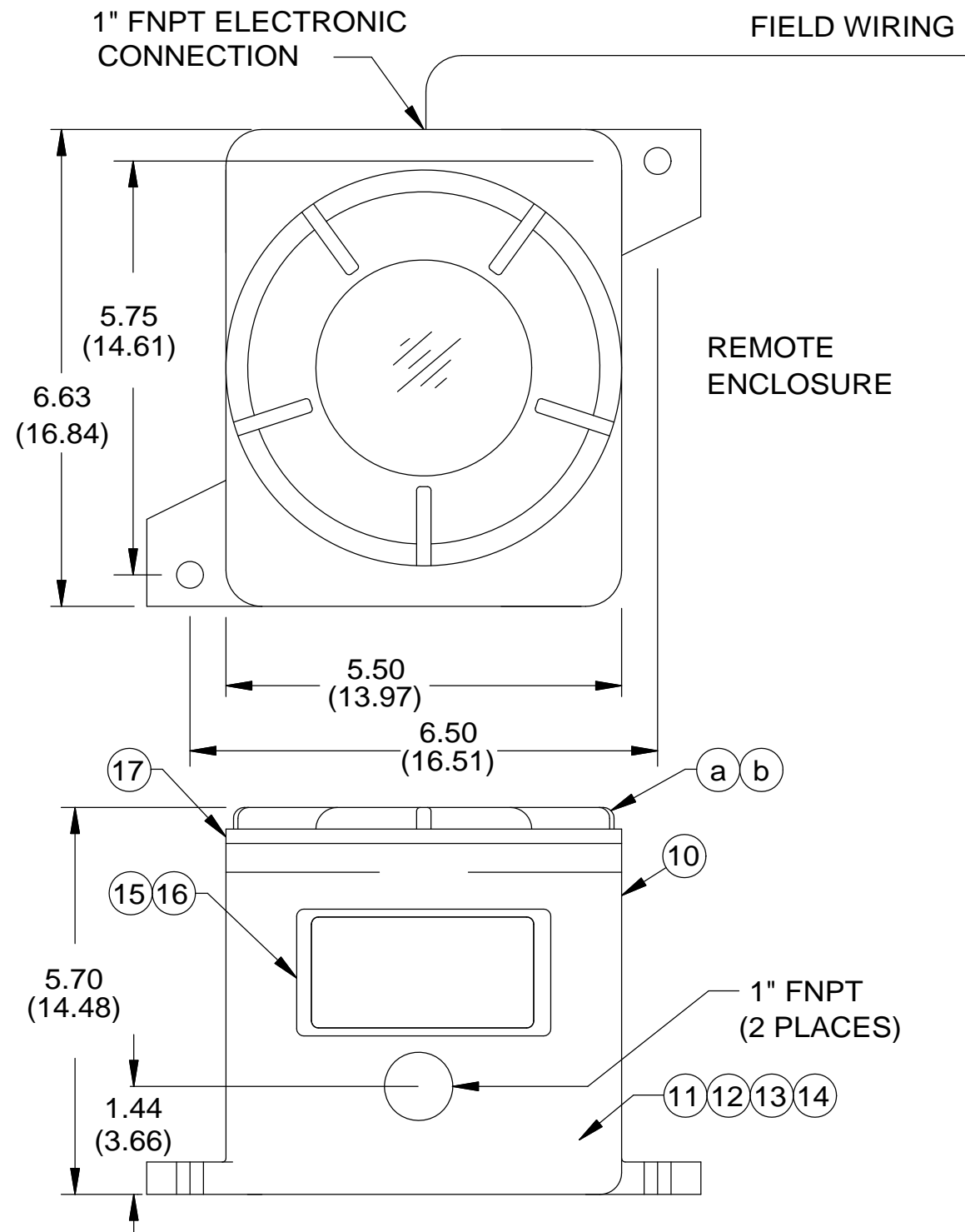
The CLASSIC - Flanged Series are built to our customer's specific requirements. Please specify the following.

- 1) 'U' length
- 2) Flange size & material
- 3) Sensor material

UNLESS OTHERWISE SPECIFIED:		NAME	DATE	
DIMENSIONS ARE IN INCHES	DRAWN	MW	13MAY13	
TOLERANCES: ANGULAR: 0.5°	CHECKED	EC	23MAY13	
ONE PLACE DECIMAL ±0.1 TWO PLACE DECIMAL ±0.02 THREE PLACE DECIMAL ±0.007	ENG APPR.	TDH	04JUN13	
INTERPRET GEOMETRIC TOLERANCING PER:				TITLE:
MATERIAL	COMMENTS:			<b>Parts List - CLASSIC 828</b> Sanitary Flanged Series Remote Electronics
FINISH				SIZE
DO NOT SCALE DRAWING				DWG. NO.
				REV
				<b>B</b> <b>D15-828-RA6X-XXXX-RE</b> <b>0</b>
				SCALE: NTS      WEIGHT:      SHEET 2 OF 2

REVISIONS				
ZONE	REV.	DESCRIPTION	DATE	APPROVED
All	0	Initial Release	03Jun13	TDH

D  
I  
C  
B  
A



**NOTES:**

- 1. WIRE ACCORDING TO CONNECTION DIAGRAM.

UNLESS OTHERWISE SPECIFIED:		NAME	DATE
DIMENSIONS ARE IN INCHES	DRAWN	MW	13MAY13
TOLERANCES: ANGULAR: 0.5°	CHECKED	EC	21MAY13
ONE PLACE DECIMAL ±0.1	ENG APPR.	TDH	03JUN13
TWO PLACE DECIMAL ±0.02			
THREE PLACE DECIMAL ±0.007			
INTERPRET GEOMETRIC TOLERANCING PER:	COMMENTS:		
MATERIAL			
FINISH			
DO NOT SCALE DRAWING			




TITLE:  
**CLASSIC Series**  
Remote Electronics  
Flameproof Enclosure (CSA)

SIZE	DWG. NO.	REV
<b>B</b>	7730-0000-CSA	0

8 7 6 5 4 3 2 1

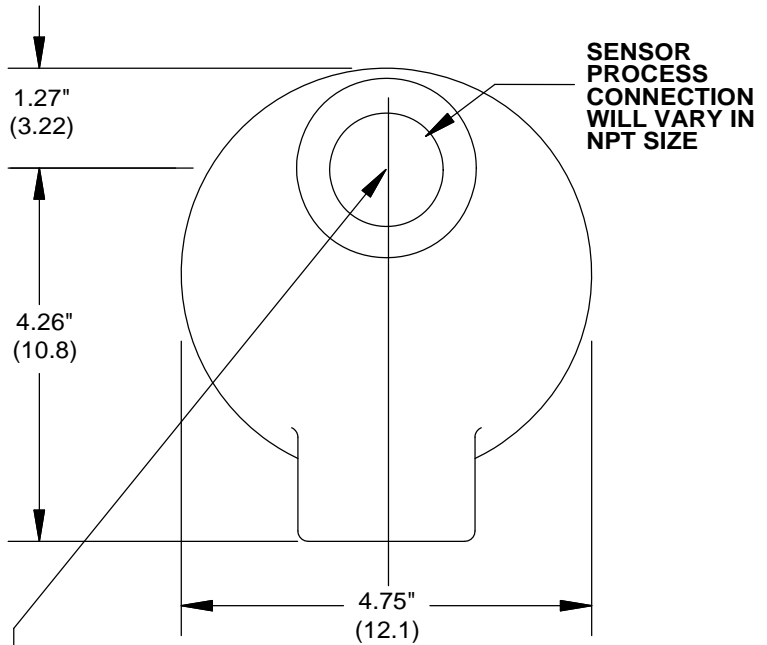
8 7 6 5 4 3 2 1

BOM			
ITEM	DESCRIPTION	PART NUMBER	QTY
10	Flameproof Remote Enclosure	1409-1201	1
a	<input type="checkbox"/> Glass Lens Cover - Flameproof	1409-1208	1
b	<input type="checkbox"/> Blind Cover - Flameproof	1409-1207	1
11	Terminal Assembly	2511-0012	1
12	Ground Screw	2540-0023	1
13	CLASSIC Electronics Module (12-24 VDC, 115-230 VAC)	L10-800-C-E	1
14	Mounting Screws (316 SS)	2540-0007	2
15	Nameplate, Foil	2400-0007	1
16	Nameplate, Overlay	2401-0001	1
17	Cover Gasket	1499-1301	1

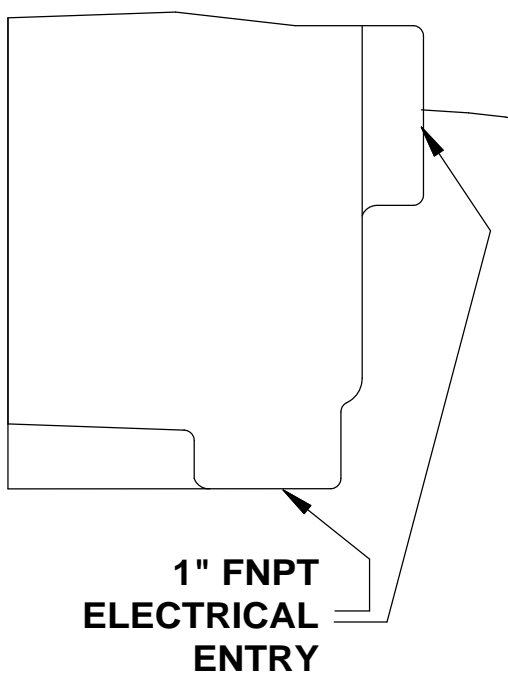
UNLESS OTHERWISE SPECIFIED:		NAME	DATE		
DIMENSIONS ARE IN INCHES		DRAWN	MW		13MAY13
TOLERANCES: ANGULAR: 0.5°		CHECKED	EC		21MAY13
ONE PLACE DECIMAL ±0.1 TWO PLACE DECIMAL ±0.02 THREE PLACE DECIMAL ±0.007		ENG APPR.	TDH		03JUN13
INTERPRET GEOMETRIC TOLERANCING PER:				TITLE:	
MATERIAL		COMMENTS:		<b>Parts List - CLASSIC Series</b> Remote Electronics Flameproof Enclosure (CSA)	
FINISH		SIZE	DWG. NO.	REV	
DO NOT SCALE DRAWING		<b>B</b>	7730-0000-CSA	0	
KAYDEN INSTRUMENTS		SCALE: NTS	WEIGHT:	SHEET 2 OF 2	

REVISIONS				
ZONE	REV.	DESCRIPTION	DATE	APPROVED
All	0	Initial Release	03Jun13	TDH

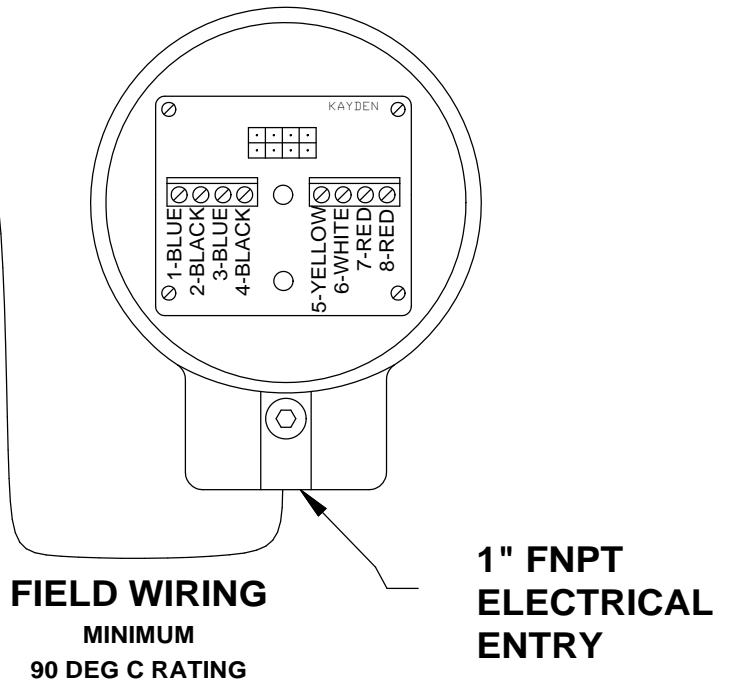
### SENSOR AND REMOTE ENCLOSURE REAR VIEW



### REMOTE ENCLOSURE SIDE VIEW

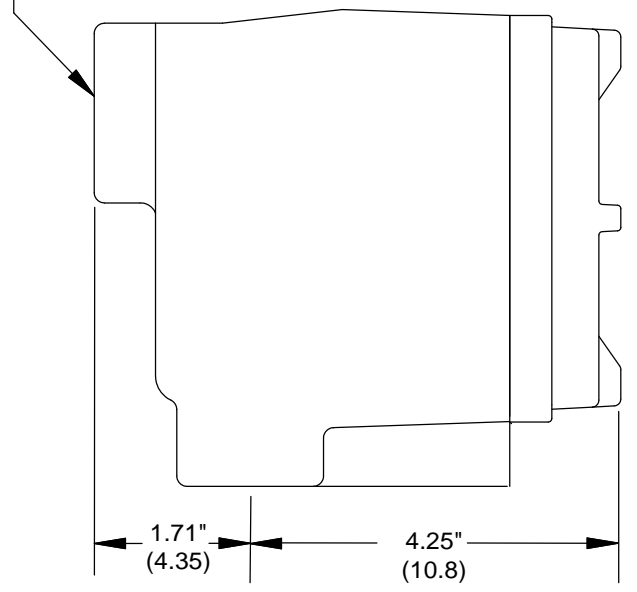


### SENSOR ENCLOSURE FRONT VIEW



**MOUNT SENSOR AND REMOTE ENCLOSURE USING FNPT ENTRY**

### SENSOR AND REMOTE ENCLOSURE SIDE VIEW



#### NOTES:

1. Wire sensor to remote according to connection diagram.

UNLESS OTHERWISE SPECIFIED:		NAME	DATE
DIMENSIONS ARE IN INCHES	DRAWN	MW	13MAY13
TOLERANCES: ANGULAR: 0.5° ONE PLACE DECIMAL ±0.1 TWO PLACE DECIMAL ±0.02 THREE PLACE DECIMAL ±0.007	CHECKED	EC	21MAY13
INTERPRET GEOMETRIC TOLERANCING PER:	ENG APPR.	TDH	03JUN13
MATERIAL	COMMENTS:		
FINISH			
DO NOT SCALE DRAWING			



**CLASSIC Series**  
Remote Electronics  
Flameproof Enclosure (FM)

SIZE	DWG. NO.	REV
<b>B</b>	7730-0000-FM	0