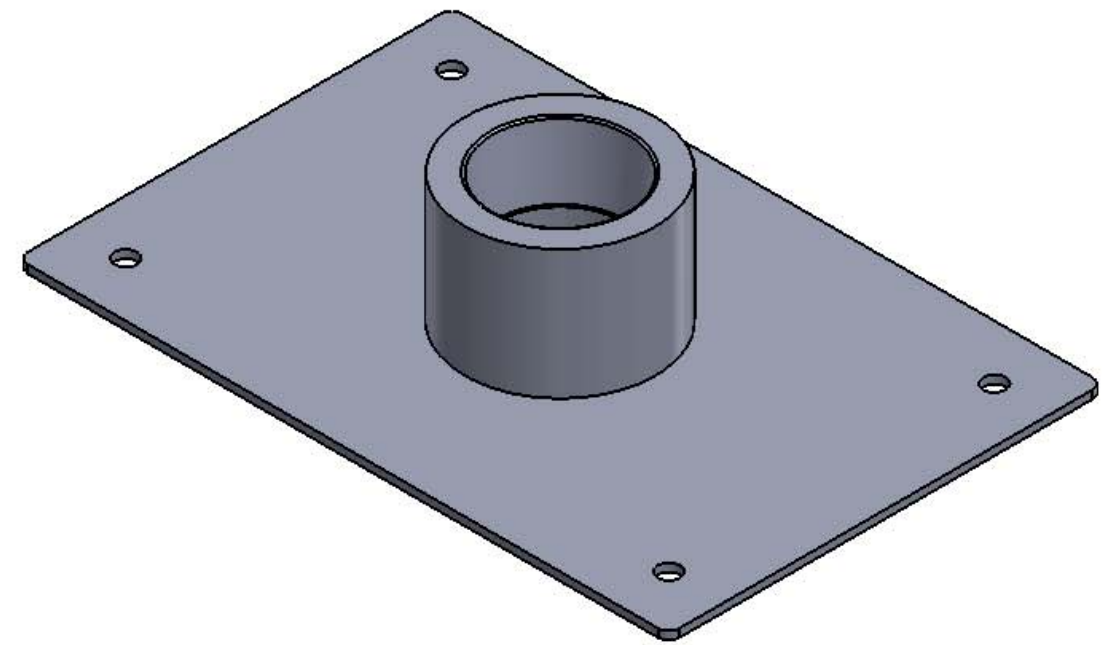


- NOTES:**
- EPOXY POWDER COAT BLACK.
 - HALF-COUPLING IS STANDARD AS PER ASME B16.11

REVISIONS				
ZONE	REV.	DESCRIPTION	DATE	APPROVED
All	0	INITIAL RELEASE	07APR15	MR

BOM				
ITEM	QTY	PN - MATLIST	MATERIAL SPECIFICATION	DESCRIPTION
1	1	2551-0100-2	CARBON STEEL	SHEET SIZE 4.0 X 6.0, 14 GA OR 0.075" WITH A 1 - 1 1/2 NPT BUSHING 1 NPS CLASS 3000 HALF-COUPLING



UNLESS OTHERWISE SPECIFIED:		NAME	DATE
DIMENSIONS ARE IN INCHES	DRAWN	ERC	09APR15
TOLERANCES: ANGULAR: 0.5°	MFG. APPR.	BT	09APR16
ONE PLACE DECIMAL ±0.030	Q.A. APPR.	MR	09APR16
TWO PLACE DECIMAL ±0.015			
THREE PLACE DECIMAL ±0.005			
INTERPRET GEOMETRIC TOLERANCING PER:	COMMENTS:		
MATERIAL			
FINISH			
DO NOT SCALE DRAWING			



TITLE:
1.0 FNPT DUCT MOUNTING PLATE

SIZE	DWG. NO.	REV
B	2551-0100-WEB	0