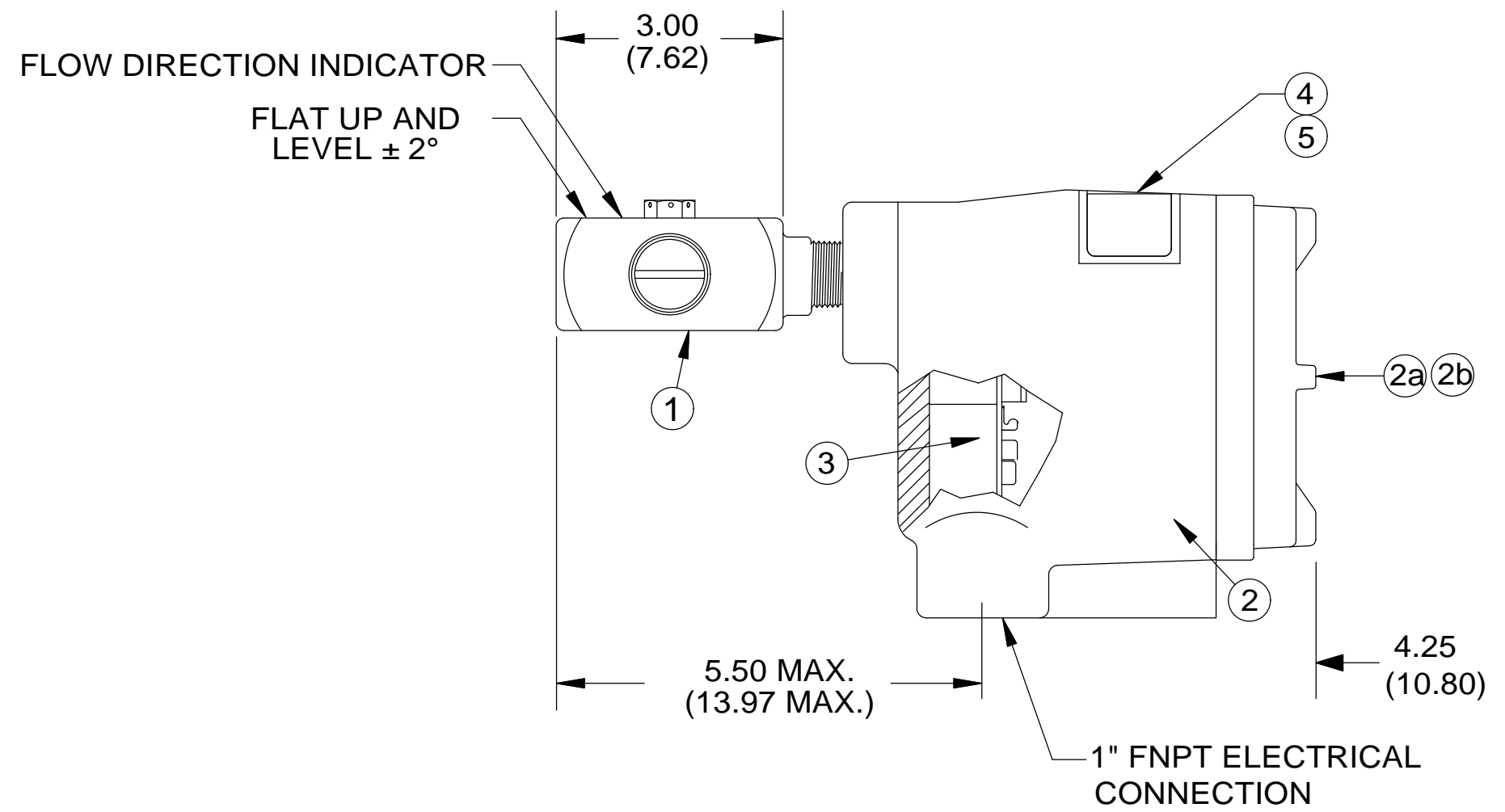
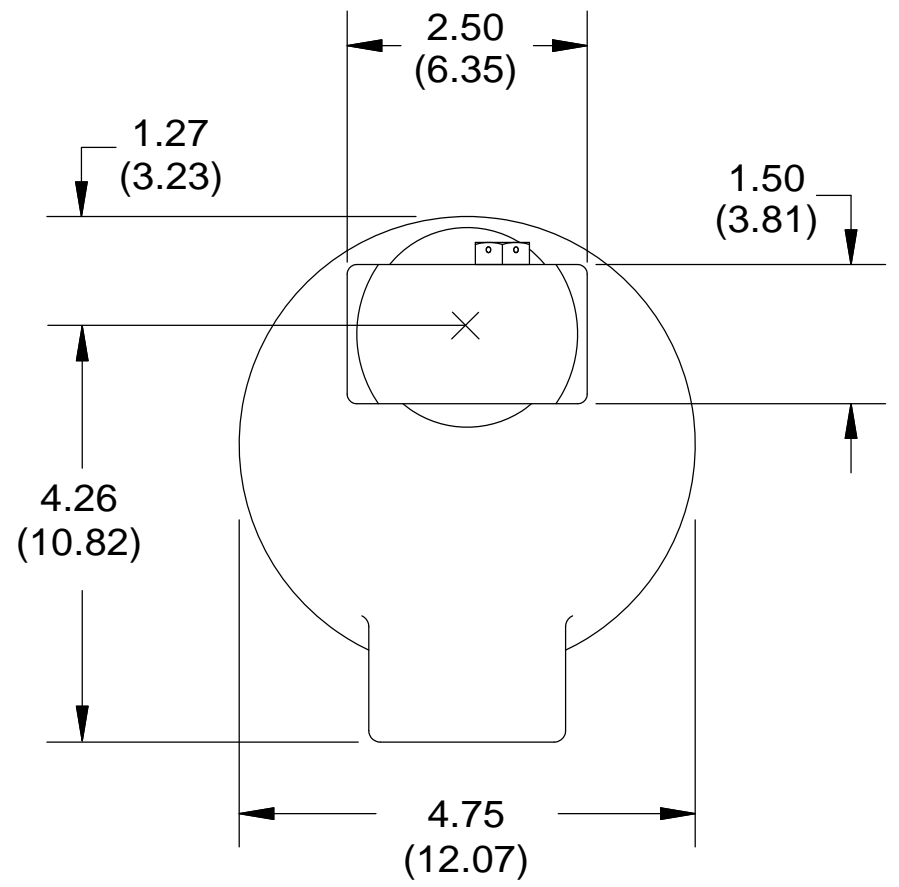


REVISIONS				
ZONE	REV.	DESCRIPTION	DATE	APPROVED
All	0	Initial Release	16Jul02	Chidley
	1	Edited text	13Apr11	
	2	Changed footer note, added confidential note, modified title, title box and rev table. Modified small table.	04Jun13	TDH



UNLESS OTHERWISE SPECIFIED:		NAME	DATE
DIMENSIONS ARE IN INCHES	DRAWN	MW	14MAY13
TOLERANCES: ANGULAR: 0.5°	CHECKED	EC	16MAY13
ONE PLACE DECIMAL ±0.1	ENG APPR.	TDH	04JUN13
TWO PLACE DECIMAL ±0.02			
THREE PLACE DECIMAL ±0.007			
INTERPRET GEOMETRIC TOLERANCING PER:	COMMENTS:		
MATERIAL			
FINISH			
DO NOT SCALE DRAWING			



TITLE:
CLASSIC 830 Series
 Threaded InLine
 Horizontal with Bleed Port
 Remote Electronics

SIZE	DWG. NO.	REV
B	D15-830-RA3D-0035AH-RE	2

BOM			
ITEM	DESCRIPTION	PART NUMBER	QTY
*1	Sensor, InLine, Threaded	P42-RA3D-0035-XXXXM	1
2	Flameproof Enclosure (1" x 1" FNPT) c/w Terminal Assembly	N10-100A-E	1
2a	<input type="checkbox"/> Glass Lens Cover - Flameproof	M10-1G00	1
2b	<input checked="" type="checkbox"/> Blind Cover - Flameproof	M10-1B00	1
3	Remote Terminal Assembly For Sensor Enclosure (12-24 VDC, 115-230 VAC)	1790-0622-C	1
4	Nameplate, Foil	2400-0002	1
5	Nameplate, Overlay	2401-0001	1

***1. Sensor Assembly Selection Guide:**

P42-RA3D-0035-XXXXM, Where XXXXM = the following:

w/Bleed Port = AxxxM
Horizontal Orientation = xHxxM
Vertical Orientation = xVxxM
No Injection Tube = xx0xM
1/4" I.D. Injection Tube = xx1xM
1/8" I.D. Injection Tube = xx2xM
No Mounting Bracket Kit = xxxAx
Mounting Bracket Kit = xxxBx
Molex Sensor Connection = xxxxM

UNLESS OTHERWISE SPECIFIED:		NAME	DATE
DIMENSIONS ARE IN INCHES	DRAWN	MW	14MAY13
TOLERANCES: ANGULAR: 0.5°	CHECKED	EC	16MAY13
ONE PLACE DECIMAL ±0.1	ENG APPR.	TDH	04JUN13
TWO PLACE DECIMAL ±0.02			
THREE PLACE DECIMAL ±0.007			
INTERPRET GEOMETRIC TOLERANCING PER:			
MATERIAL	COMMENTS:		
FINISH			
DO NOT SCALE DRAWING			

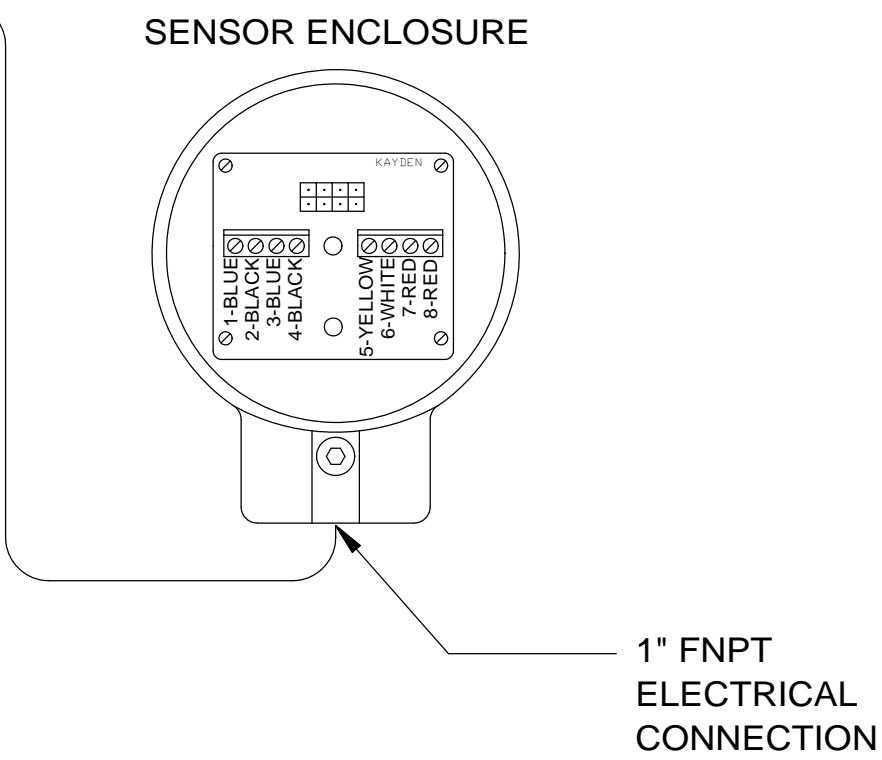
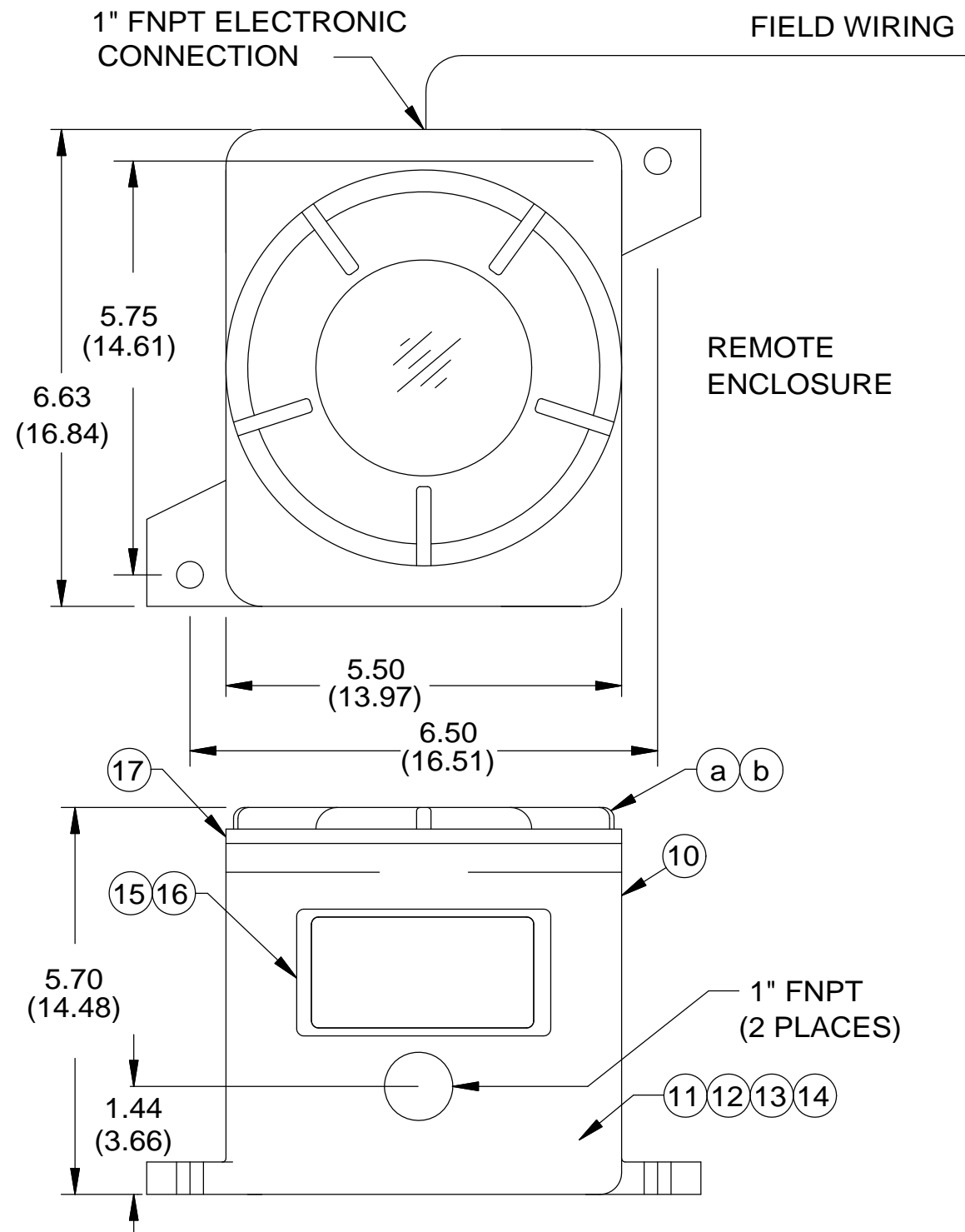


TITLE:
Parts List - CLASSIC 830 Series
 Threaded InLine
 Horizontal with Bleed Port
 Remote Electronics

SIZE	DWG. NO.	REV
B	D15-830-RA3D-0035AH-RE	2

REVISIONS				
ZONE	REV.	DESCRIPTION	DATE	APPROVED
All	0	Initial Release	03Jun13	TDH

D
I
C
B
A



NOTES:
1. WIRE ACCORDING TO CONNECTION DIAGRAM.

UNLESS OTHERWISE SPECIFIED:		NAME	DATE
DIMENSIONS ARE IN INCHES	DRAWN	MW	13MAY13
TOLERANCES: ANGULAR: 0.5°	CHECKED	EC	21MAY13
ONE PLACE DECIMAL ±0.1	ENG APPR.	TDH	03JUN13
TWO PLACE DECIMAL ±0.02			
THREE PLACE DECIMAL ±0.007			
INTERPRET GEOMETRIC TOLERANCING PER:	COMMENTS:		
MATERIAL			
FINISH			
DO NOT SCALE DRAWING			




TITLE:
CLASSIC Series
Remote Electronics
Flameproof Enclosure (CSA)

SIZE	DWG. NO.	REV
B	7730-0000-CSA	0

SCALE: NTS	WEIGHT:	SHEET 1 OF 2
------------	---------	--------------

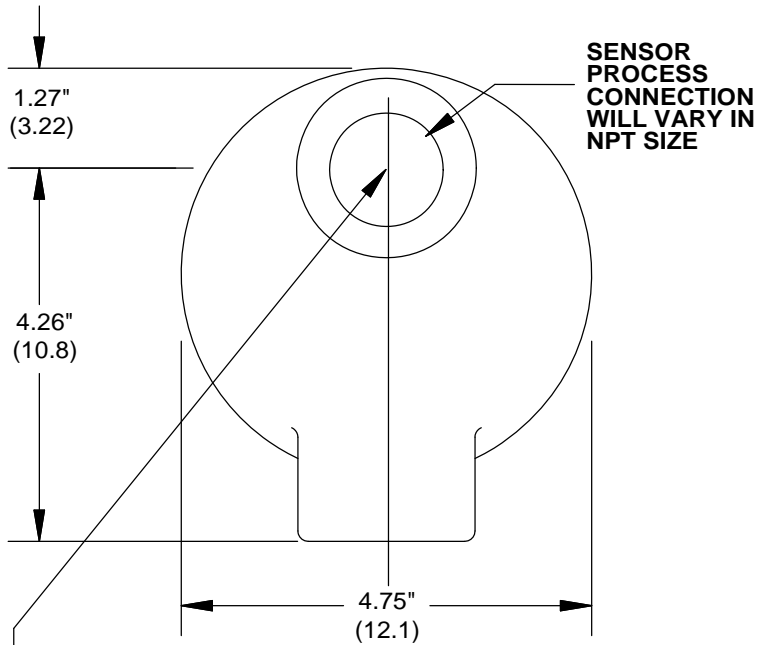
8 7 6 5 4 3 2 1

BOM			
ITEM	DESCRIPTION	PART NUMBER	QTY
10	Flameproof Remote Enclosure	1409-1201	1
a	<input type="checkbox"/> Glass Lens Cover - Flameproof	1409-1208	1
b	<input type="checkbox"/> Blind Cover - Flameproof	1409-1207	1
11	Terminal Assembly	2511-0012	1
12	Ground Screw	2540-0023	1
13	CLASSIC Electronics Module (12-24 VDC, 115-230 VAC)	L10-800-C-E	1
14	Mounting Screws (316 SS)	2540-0007	2
15	Nameplate, Foil	2400-0007	1
16	Nameplate, Overlay	2401-0001	1
17	Cover Gasket	1499-1301	1

UNLESS OTHERWISE SPECIFIED:		NAME	DATE		
DIMENSIONS ARE IN INCHES		DRAWN	MW		13MAY13
TOLERANCES: ANGULAR: 0.5°		CHECKED	EC		21MAY13
ONE PLACE DECIMAL ±0.1 TWO PLACE DECIMAL ±0.02 THREE PLACE DECIMAL ±0.007		ENG APPR.	TDH		03JUN13
INTERPRET GEOMETRIC TOLERANCING PER:				TITLE:	
MATERIAL		COMMENTS:		Parts List - CLASSIC Series Remote Electronics Flameproof Enclosure (CSA)	
FINISH		SIZE	DWG. NO.	REV	
DO NOT SCALE DRAWING		B	7730-0000-CSA	0	
KAYDEN INSTRUMENTS		SCALE: NTS	WEIGHT:	SHEET 2 OF 2	

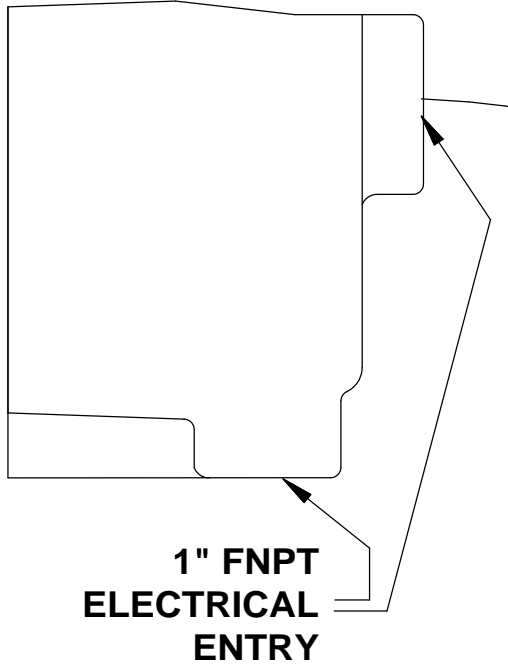
REVISIONS				
ZONE	REV.	DESCRIPTION	DATE	APPROVED
All	0	Initial Release	03Jun13	TDH

SENSOR AND REMOTE ENCLOSURE REAR VIEW



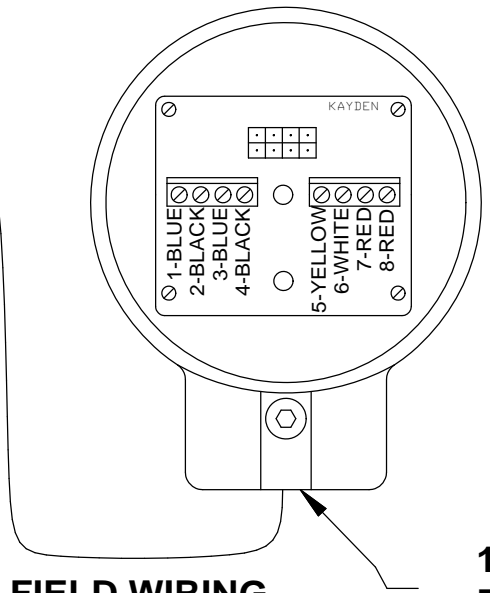
MOUNT SENSOR AND REMOTE ENCLOSURE USING FNPT ENTRY

REMOTE ENCLOSURE SIDE VIEW



1" FNPT ELECTRICAL ENTRY

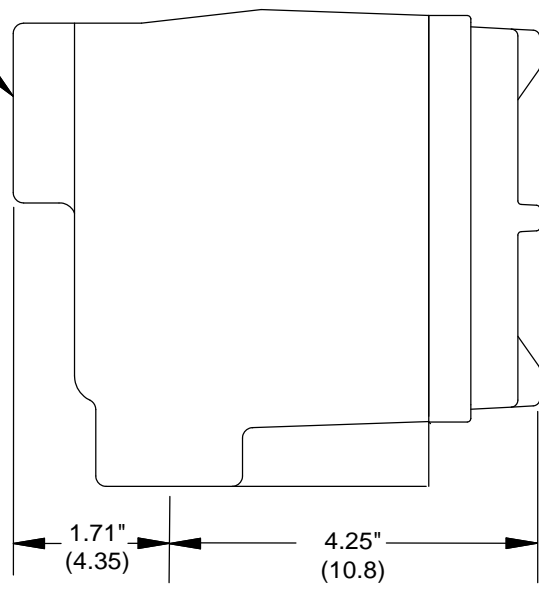
SENSOR ENCLOSURE FRONT VIEW



FIELD WIRING
MINIMUM
90 DEG C RATING

1" FNPT ELECTRICAL ENTRY

SENSOR AND REMOTE ENCLOSURE SIDE VIEW



NOTES:

- Wire sensor to remote according to connection diagram.

UNLESS OTHERWISE SPECIFIED:		NAME	DATE
DIMENSIONS ARE IN INCHES	DRAWN	MW	13MAY13
TOLERANCES: ANGULAR: 0.5° ONE PLACE DECIMAL ±0.1 TWO PLACE DECIMAL ±0.02 THREE PLACE DECIMAL ±0.007	CHECKED	EC	21MAY13
INTERPRET GEOMETRIC TOLERANCING PER:	ENG APPR.	TDH	03JUN13
MATERIAL	COMMENTS:		
FINISH			
DO NOT SCALE DRAWING			



TITLE:
CLASSIC Series
Remote Electronics
Flameproof Enclosure (FM)

SIZE	DWG. NO.	REV
B	7730-0000-FM	0