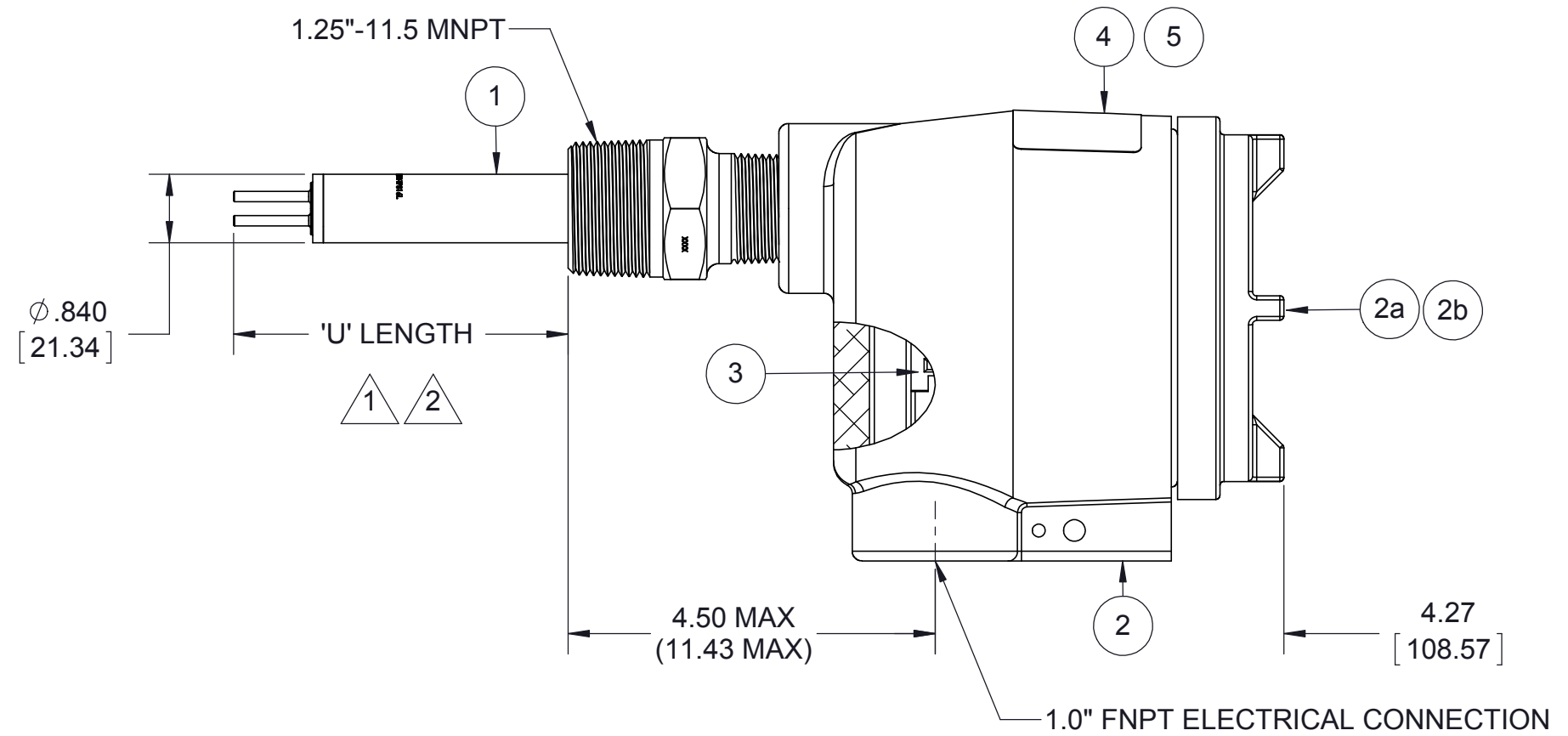
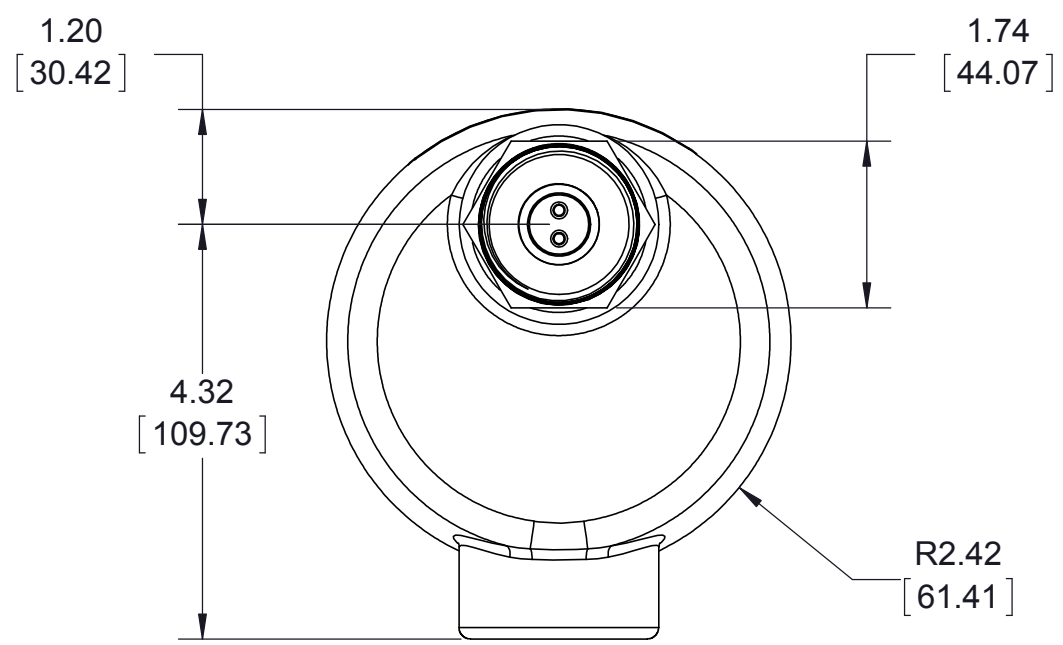


REVISIONS				
ZONE	REV.	DESCRIPTION	DATE	APPROVED
All	0	Initial Release	14MAY98	Chidley
	1	Edited text	26JAN11	
	2	Edited dimensions	31MAR11	
	3	Changed footer note, added confidential note, modified title, title box and rev table. Deleted 24"U'.	03JUN13	THD
ALL	4	UPDATED TO NEWEST VERSION PROBE.	26OCT18	



NOTES:

- 1 Standard 'U' lengths available: 1.2", 2", 3", 4", 6", 9", 12" & 18"
- 2 Custom 'U' length:

UNLESS OTHERWISE SPECIFIED:	NAME	DATE
DIMENSIONS ARE IN INCHES	DRAWN MW	13MAY13
TOLERANCES: ANGULAR: 0.5°	CHECKED EC	17MAY13
ONE PLACE DECIMAL ±0.1	ENG APPR. TDH	03JUN13
TWO PLACE DECIMAL ±0.02		
THREE PLACE DECIMAL ±0.007		
INTERPRET GEOMETRIC TOLERANCING PER:		
MATERIAL	COMMENTS:	
FINISH		
DO NOT SCALE DRAWING		



TITLE:
CLASSIC 810 Series
 1 1/4" MNPT; 1.2", 2", 3", 4", 6", 9", 12" & 18" 'U'
 Local Electronics
 Mounting Drawing

SIZE	DWG. NO.	REV
B	D15-810-RAF-XXXX-LE	4

BOM			
ITEM	DESCRIPTION	PART NUMBER	QTY
*1	Sensor, 1 1/4" MNPT	P02-RAF-XXXX-X	1
2	Flameproof Enclosure (1" x 1" FNPT) c/w Terminal Assembly	N10-100-A-E	1
2a	<input checked="" type="checkbox"/> Glass Lens Cover - Flameproof	M10-1G00	1
2b	<input type="checkbox"/> Blind Cover - Flameproof	M10-1B00	1
3	CLASSIC Electronics Module (12-24 VDC, 115-230 VAC)	L10-800-C-E	1
4	Nameplate, Foil	2400-0002	1
5	Nameplate, Overlay	2401-0001	1

***1. Sensor Assembly Selection Guide:**

P02-RAF-XXXX Where XXXX = Desired 'U' Length in Inches.

- | | |
|--------------------------|---------------------|
| eg. 1.2"U = P02-RAF-0012 | 6"U = P02-RAF-0060 |
| 2"U = P02-RAF-0020 | 9"U = P02-RAF-0090 |
| 3"U = P02-RAF-0030 | 12"U = P02-RAF-0120 |
| 4"U = P02-RAF-0040 | 18"U = P02-RAF-0180 |

UNLESS OTHERWISE SPECIFIED:		NAME	DATE
DIMENSIONS ARE IN INCHES	DRAWN	MW	13MAY13
TOLERANCES: ANGULAR: 0.5°	CHECKED	EC	17MAY13
ONE PLACE DECIMAL ±0.1	ENG APPR.	TDH	03JUN13
TWO PLACE DECIMAL ±0.02			
THREE PLACE DECIMAL ±0.007			
INTERPRET GEOMETRIC TOLERANCING PER:	COMMENTS:		
MATERIAL			
FINISH			
DO NOT SCALE DRAWING			



TITLE:
Parts List - CLASSIC 810 Series
 1 1/4" MNPT; 1.2", 2", 3", 4", 6", 9", 12" & 18" 'U'
 Local Electronics

SIZE	DWG. NO.	REV
B	D15-810-RAF-XXXX-LE	4