

NOTES:

- 1. ① to ⑫ see parts list (D15-816-RAEX-XXXX-4).
- ② Customer specified 'U' length. 'U' = _____
- ③ Install top and bottom mounted units in horizontal pipe with flow arrow \longleftrightarrow parallel to flow direction.

Information contained in this document is confidential and proprietary information of Telematic Controls Inc. This document may not be reproduced or distributed for any reason without express written permission of Telematic Controls Inc. All rights of design, invention and copyright are reserved.

Rev	Description	App.	Date
0	Initial release	Chidley	14May98
1	Edited text		13Apr11
2	Changed footer note. Added confidential note Modified Title box & Rev. Table. Deleted 4 triangle. Modified notes. Deleted dim.	TDH	04Jun13

REFERENCE DWGS:
D15-816-RAEX-XXXX-5
D15-816-RAEX-XXXX-4

APPROVALS	DATE
DRN MW	13MAY13
CHKD EC	23MAY13
APP TDH	04Jun13

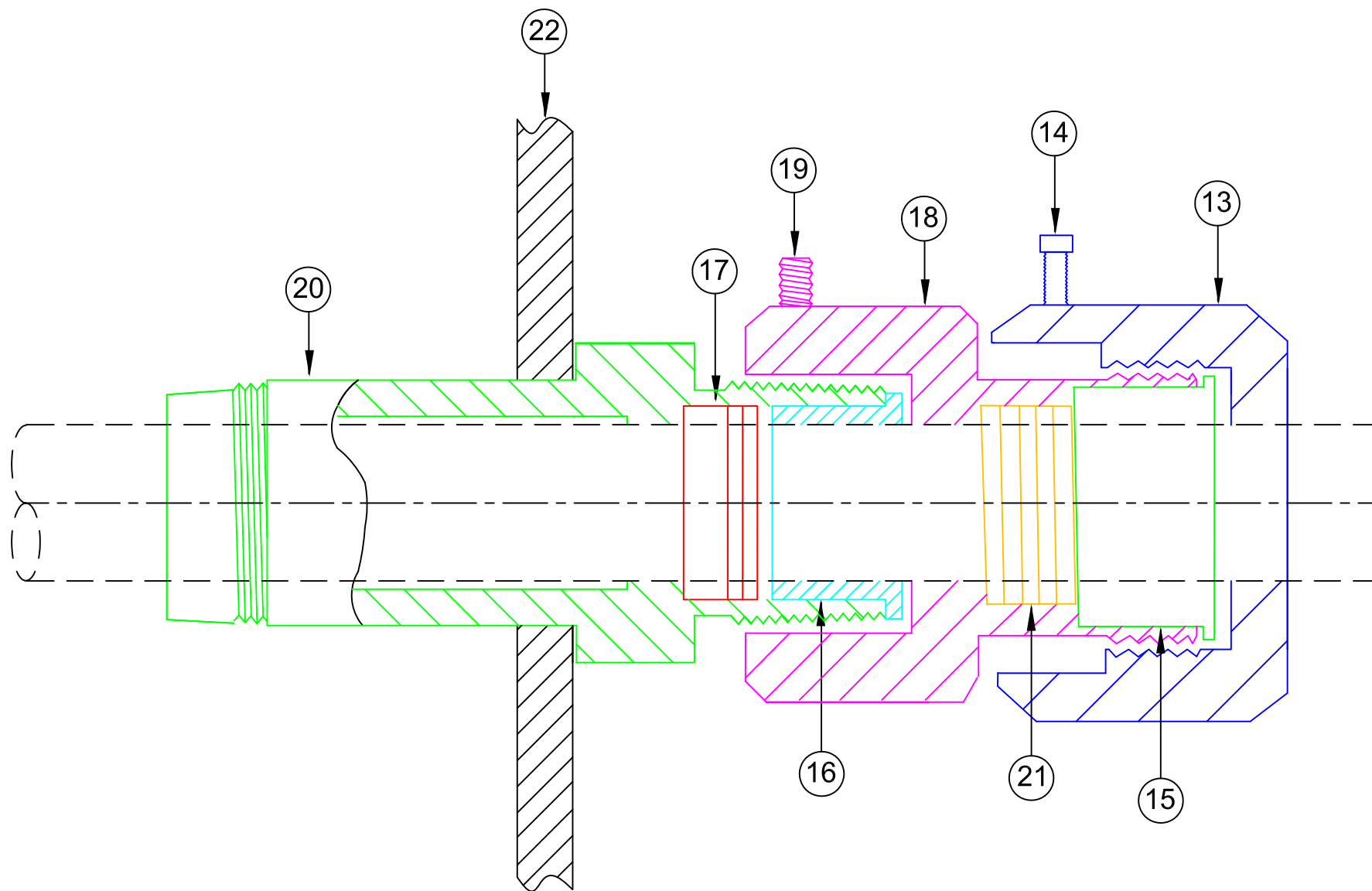
All dimensions are shown in inches with cm shown in brackets

TOLERANCES ARE:

DECIMALS	ANGLES
.X ± 0.1	±0.5°
.XX ± 0.02	
.XXX ± 0.007	

CLASSIC 816 Series
Packing Gland - Threaded - 1" MNPT
 Medium Pressure (500 psi)
 Remote Electronics

SIZE A3	DWG NO. D15-816-RAEX-XXXX-3	REV 2
SCALE NTS		SHEET 1 OF 5




NOTES:

1. All components - 316 Stainless Steel
(except packing and front support)

Information contained in this document is confidential and proprietary information of Telematic Controls Inc. This document may not be reproduced or distributed for any reason without express written permission of Telematic Controls Inc. All rights of design, invention and copyright are reserved.

Rev	Description	App.	Date
0	Initial release	Garland	14May98
1	Edited text		26Jan11
2	Changed footer note. Added confidential note. Modified Title, Title box, Ref. & Rev. Table	TDH	03Jun13

REFERENCE DWGS:	
Local: D15-816-RAEX-XXXX-1	
Local: D15-816-RAEX-XXXX-2	
Remote: D15-816-RAEX-XXXX-3	
Remote: D15-816-RAEX-XXXX-4	

APPROVALS		DATE			
DRN	MW	17MAY13			
CHKD	EC	23May13			
APP	TDH	03Jun13	TITLE CLASSIC 816 Series Packing Gland - Threaded - 1" MNPT Medium Pressure (500 psi) Local / Remote Electronics: Detail 'A' Drawing		
All dimensions are shown in inches with cm shown in brackets TOLERANCES ARE: DECIMALS ANGLES .X ± 0.1 ±0.5° .XX ± 0.02 .XXX ± 0.007			SIZE A3	DWG NO. D15-816-RAEX-XXXX-5	REV 2
SCALE NTS			SHEET 2 OF 3/5		

ITEM	DESCRIPTION	PART NUMBER	QTY
*1	Sensor Assembly; (probe only)	P32-RAEXXXXX	1
2	Flameproof Enclosure (3/4" x 1" FNPT)	N10-100A-D	1
3a	<input type="checkbox"/> Glass Lens Cover - Flameproof	M10-1G00	1
3b	<input checked="" type="checkbox"/> Blind Cover - Flameproof	M10-1B00	1
4	Remote Terminal Assembly For Sensor Enclosure	1790-0622-D	1
5	Nameplate, Foil	2400-0002	1
6	Nameplate, Overlay	2401-0001	1
7	Rear Support, Medium Pressure	2510-0311-1	1
8	5/8" Threaded Rod - Modified	2510-0414	'U' + 7"
9	5/8" Flat Washer	2510-0427	8
10	Hex Nut, 5/8" UNC	2510-0417	8
11	Cotterpin	2510-0415	4
12	Hardware Reducer 3/4" x 1/2" (Optional)	2510-0021	1
***** FOR ITEMS (12 - 22) REFER TO DWG D15-816-RAEX-XXXX-5 (DETAIL 'A') *****			
13	Nut	2510-0305-B	1
14	Hex Cap Screw, 1/4" - 28 x 1/2" SS	2540-0020	4
15	Packing Follower	2510-0307-B	1
16	Seal Follower	2510-0304-B	1
17	Seal (U-Cup)	2510-0440	1
18	Nut w/Coupling	2510-0306-B	1
19	Stainless Set Screw, 10 - 24 x 3/8" Allen	2540-0021	1
20	Sleeve	2510-0300-B	1
21	1/8" SQ. Teflon	Z2510-0429	A/R
22	Front Support, Medium Pressure	2510-0313-1	1

NOTES:

***1. Sensor Assembly Selection Guide:**

P32-RAEXXXXX where XXXX = desired probe 'U' length.


eg. 6" = P32-RAEX0060 36" = P32-RAEX0360

12" = P32-RAEX0120 48" = P32-RAEX0480

18" = P32-RAEX0180 60" = P32-RAEX0600

24" = P32-RAEX0240

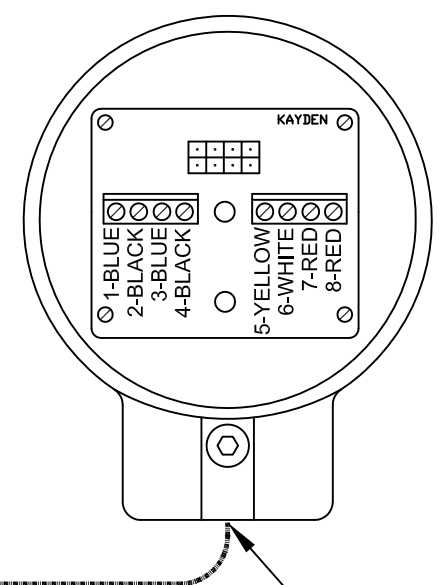
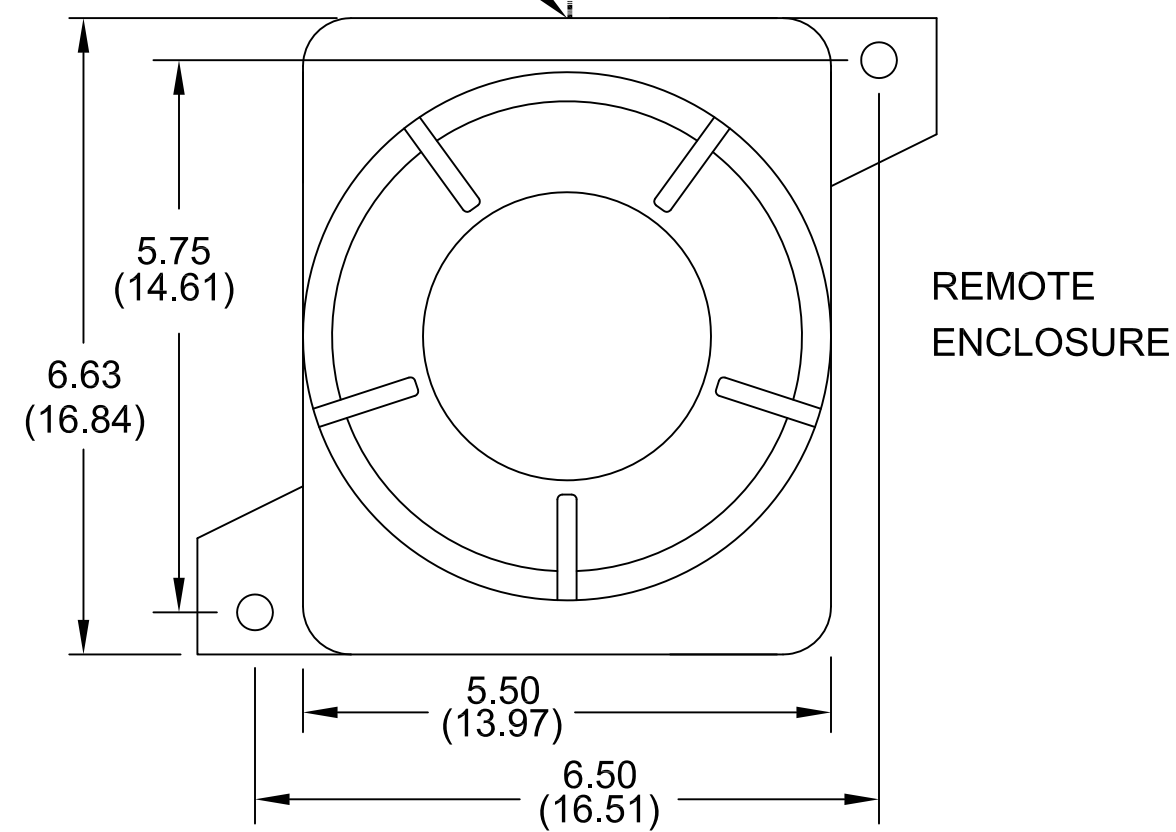
Information contained in this document is confidential and proprietary information of Telematic Controls Inc. This document may not be reproduced or distributed for any reason without express written permission of Telematic Controls Inc. All rights of design, invention and copyright are reserved.

Rev	Description	App.	Date	APPROVALS		DATE		TITLE		REV	
0	Initial release	Garland	17Jan03	DRN	MW	17MAY13		Parts List - CLASSIC 816 Series Packing Gland - Threaded - 1" MNPT Medium Pressure (500 psi) Remote Electronics	SIZE A3		DWG NO. D15-816-RAEX-XXXX-4
1	Edited text		13Apr11	CHKD	EC	23MAY13					
2	Changed footer note. Added confidential note Modified Title box & Rev. Table. Added to item 12. Changed P/N Item 22,7	TDH	03Jun13	APP	TDH	03JUN13		SCALE	NTS	SHEET 3 OF 5	
				All dimensions are shown in inches with cm shown in brackets TOLERANCES ARE: DECIMALS ANGLES .X ± 0.1 ±0.5° .XX ± 0.02 .XXX ± 0.007							

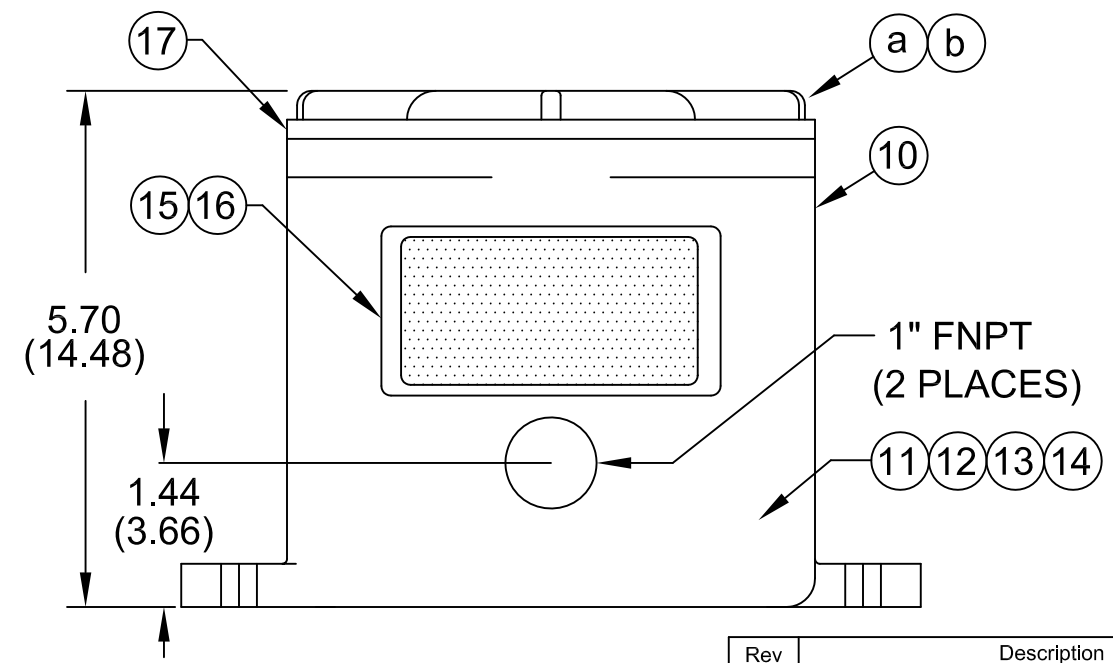
1" FNPT ELECTRONIC CONNECTION

FIELD WIRING

SENSOR ENCLOSURE



1" FNPT ELECTRICAL CONNECTION



Information contained in this document is confidential and proprietary information of Telematic Controls Inc. This document may not be reproduced or distributed for any reason without express written permission of Telematic Controls Inc. All rights of design, invention and copyright are reserved.

APPROVALS	DATE
DRN MW	13MAY13
CHKD EC	21MAY13
APP TDH	03JUN13

KAYDEN[®]
INSTRUMENTS

All dimensions are shown in inches with cm shown in brackets

TOLERANCES ARE:

DECIMALS	ANGLES
.X ± 0.1	±0.5°
.XX ± 0.02	
.XXX ± 0.007	

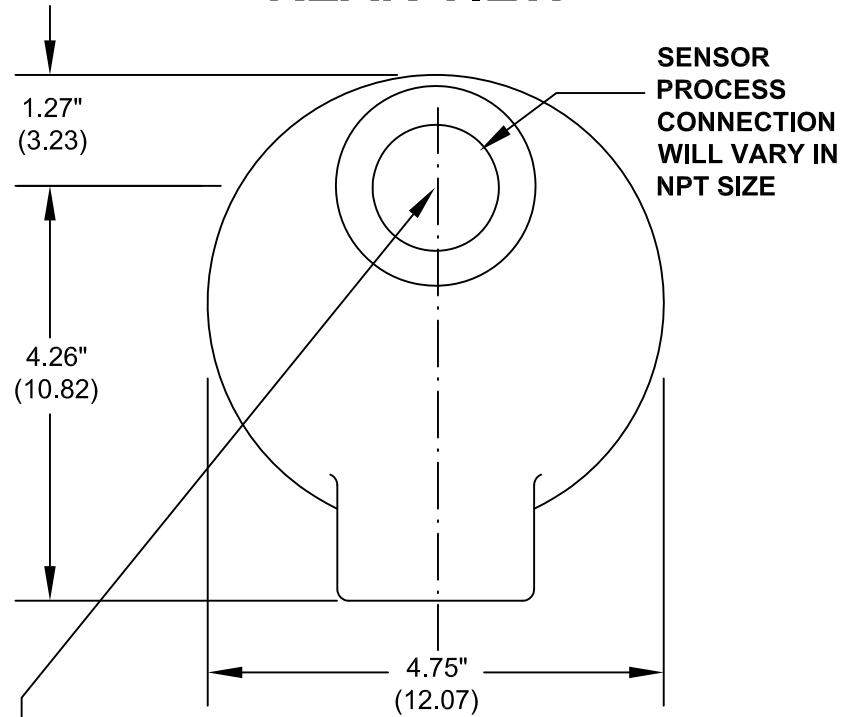
TITLE: CLASSIC Series Remote Electronics Flameproof Enclosure (CSA)

SIZE A3	DWG NO. 7730-0000-1-CSA	REV 0
SCALE NTS		SHEET 3 OF 4 (or 4 OF 5)

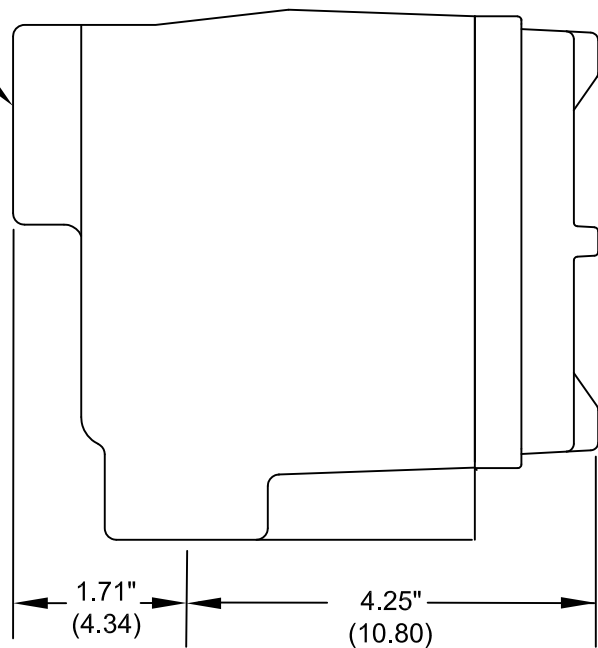
Rev	Description	App.	Date
0	Initial release	TDH	03Jun13

NOTES:
1. Wire according to connection diagram.

SENSOR AND REMOTE ENCLOSURE REAR VIEW



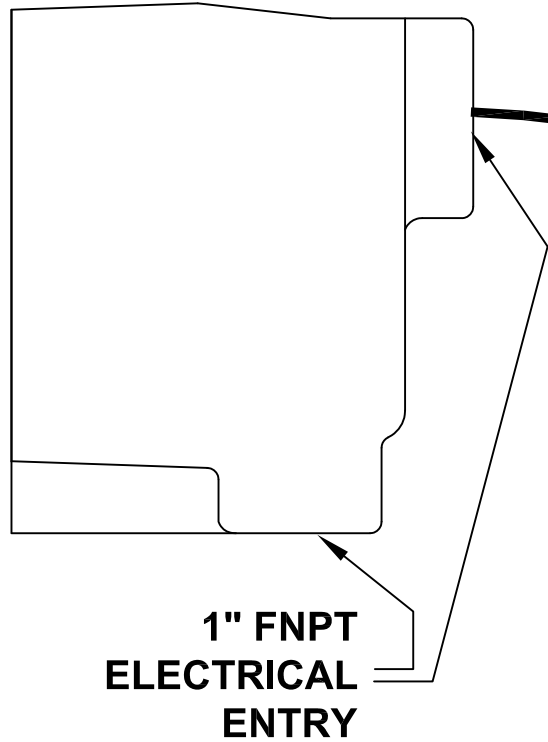
MOUNT SENSOR AND REMOTE ENCLOSURE USING FNPT ENTRY



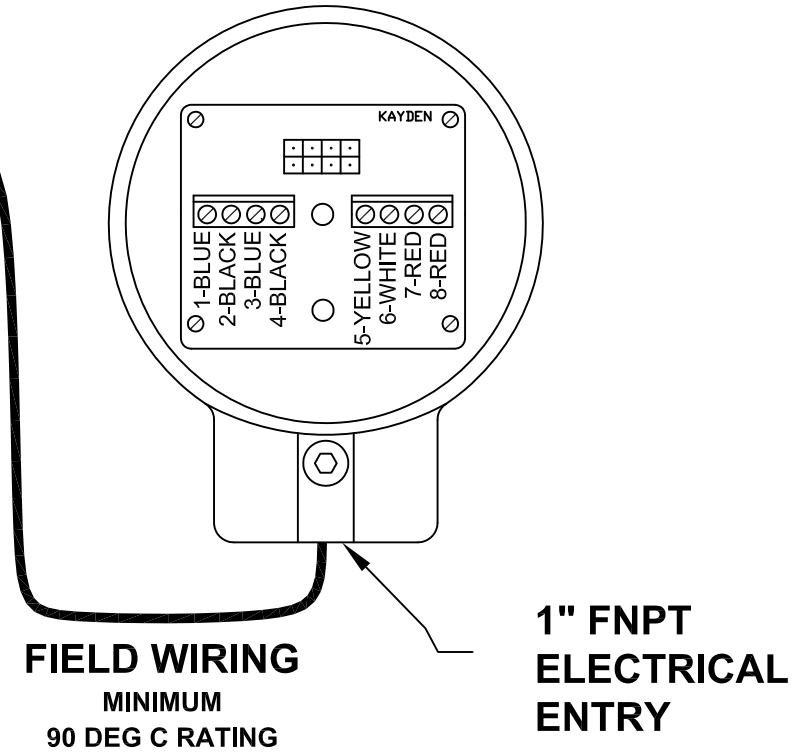
NOTES:

1. Wire sensor to remote according to connection diagram.

REMOTE ENCLOSURE SIDE VIEW



SENSOR ENCLOSURE FRONT VIEW



SENSOR AND REMOTE ENCLOSURE SIDE VIEW

Rev	Description	App.	Date
0	Initial release	TDH	03Jun13

Information contained in this document is confidential and proprietary information of Telematic Controls Inc. This document may not be reproduced or distributed for any reason without express written permission of Telematic Controls Inc. All rights of design, invention and copyright are reserved.

APPROVALS		DATE		
DRN	MW	13MAY13		
CHKD	EC	21MAY13		
APP	TDH	03JUN13		
All dimensions are shown in inches with cm shown in brackets TOLERANCES ARE: DECIMALS ANGLES .X ± 0.1 ±0.5° .XX ± 0.02 .XXX ± 0.007			TITLE CLASSIC Series Sensor and Remote Flameproof Enclosure (FM)	
SIZE A3	DWG NO. 7730-0000-1-FM	REV 0	SCALE NTS	SHEET 1 OF 1