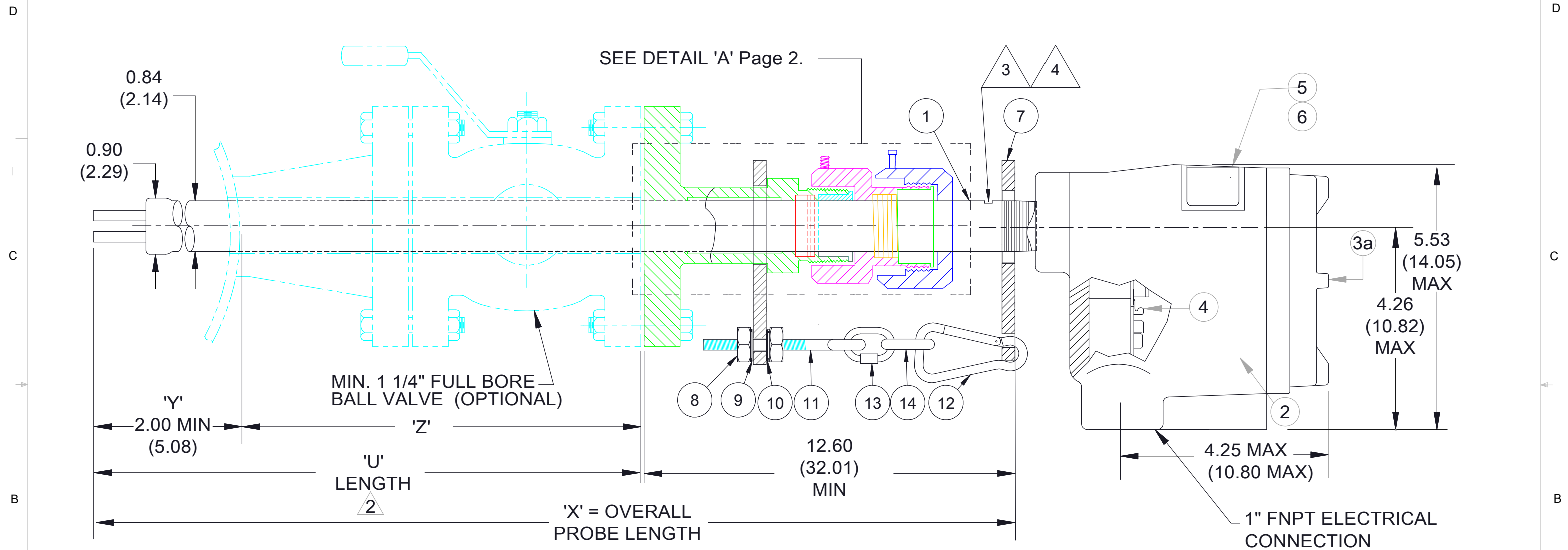


REVISIONS				
ZONE	REV.	DESCRIPTION	DATE	APPROVED
All	1	Initial Release	19MAR23	



NOTES:

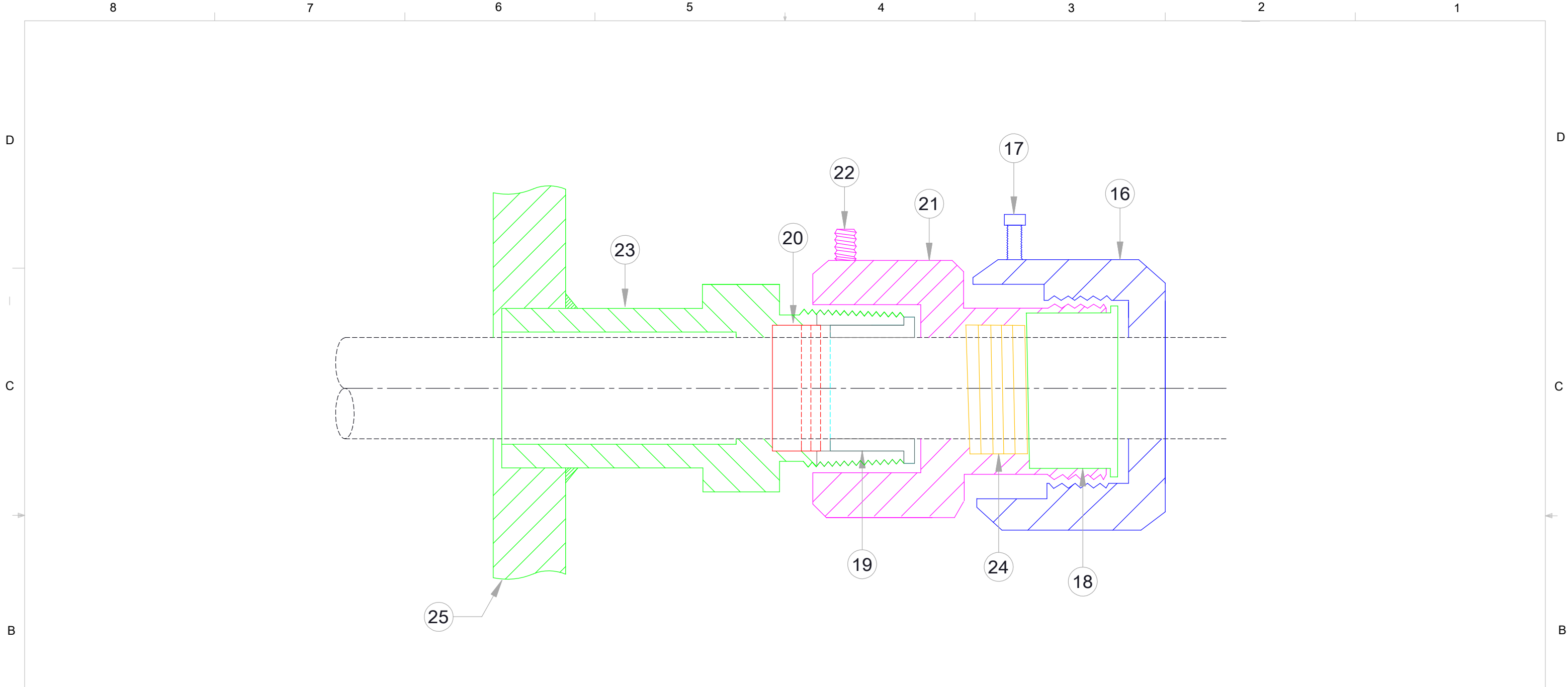
- 1. ① to ⑥ see parts list.
- ②. Customer specified 'U' length. 'U' =
- ③. ④. Install top and bottom mounted units in horizontal pipe with flow arrow \longleftrightarrow parallel to flow direction.
- ⑤. Flange: Size: _____ Material: _____

UNLESS OTHERWISE SPECIFIED:	NAME	DATE
DIMENSIONS ARE IN INCHES	DRAWN NSP	19MAR23
TOLERANCES: ANGULAR: 0.5° ONE PLACE DECIMAL ±0.1 TWO PLACE DECIMAL ±0.02 THREE PLACE DECIMAL ±0.007	CHECKED	
INTERPRET GEOMETRIC TOLERANCING PER:	ENG APPR.	
MATERIAL	COMMENTS:	
FINISH		
DO NOT SCALE DRAWING		



TITLE:
CLASSIC 814 Series
 Packing Gland - Flanged - 1" MNPT
 Low Pressure (125 PSI) w/Safety Chain
 Remote Electronics

SIZE	DWG. NO.	REV
B	814-RAAYYYAJ-IXXXX-RE	1



NOTES:

- 1. All components - 316 Stainless Steel
(except packing)

UNLESS OTHERWISE SPECIFIED:		NAME	DATE
DIMENSIONS ARE IN INCHES	DRAWN	NSP	19MAR23
TOLERANCES: ANGULAR: 0.5° ONE PLACE DECIMAL ±0.1 TWO PLACE DECIMAL ±0.02 THREE PLACE DECIMAL ±0.007	CHECKED		
INTERPRET GEOMETRIC TOLERANCING PER:	ENG APPR.		
MATERIAL	COMMENTS:		
FINISH			
DO NOT SCALE DRAWING			

KAYDEN[®]
I N S T R U M E N T S

TITLE: CLASSIC 814 Series
Packing Gland - Flanged - 1" MNPT
Low Pressure (125 PSI) w/Safety Chain
Local/Remote Electronics: Detail 'A' Drawing

SIZE	DWG. NO.	REV
B	814-RAAYYYAJ-IXXXX-RE	1

BOM

ITEM	DESCRIPTION	PART NUMBER	QTY
*1	Sensor Assembly, (probe only)	P32-RAEJXXXX	1
2	Flameproof Enclosure (3/4" x 1" FNPT)	N10-100A-D	1
3a	<input checked="" type="checkbox"/> Glass Lens Cover - Flameproof	M10-1G00	1
3b	<input type="checkbox"/> Blind Cover - Flameproof	M10-1B00	1
4	Remote Terminal Assembly for Sensor Enclosure	1790-0622-C	1
5	Nameplate, Foil	2400-0002	1
6	Nameplate, Overlay	2401-0001	1
7	Rear Support, Low Pressure w/Chain	2510-0311	1
8	5/16" Nut, SS	2510-0418	2
9	5/16" Lock Washer, SS	2510-0424	2
10	5/16" Flat Washer, SS	2510-0425	2
11	5/16" x 4 1/4" Eyebolt-Galv. CS	2510-0433	1
12	Snap Spring, 1/2" SS	2510-0435	1
13	3/16" Quick Link, SS	2510-0436	1
14	3/16" Zinc Plated Chain	2510-0437	4
15	Hardware Reducer 3/4" x 1/2" (Optional)	2510-0021	1
***** ITEMS 16 THROUGH 25 REFER TO PAGE 2 (DETAIL 'A') *****			
16	Nut	2510-0413-2	1
17	Hex Cap Screw, 1/4" - 28 x 1/2" SS	2540-0020	2
18	Packing Follower	2510-0307-B	2
19	Seal Follower	2510-0304-B	1
20	Seal (U-Cup)	2510-0440	1
21	Nut w/Coupling	2510-0306-B	17"
22	Stainless Steel Set Screw, 10-24 x 3/8" Allen	2540-0021	1
23	Sleeve	2510-0300-B	1
24	1/8" SQ. Teflon	Z2510-0429	1
25	Flange	YYY	1

NOTES:

*1. a) Sensor Assembly Selection Guide:

P22-RAAYYYAJ-IXXXX-M Where XXXX = Desired Probe 'U' Length.


eg. 'U' Length = 3.5" = P22-RAAYYYAT-I0035-M or 36" = P22-RAAYYYAJ-I0360-M

b) I = Imperial (inches)

M = Metric (cm)

c) P22-RAAYYYAJ-IXXXX-M (Where YYY = Code for type of flange)

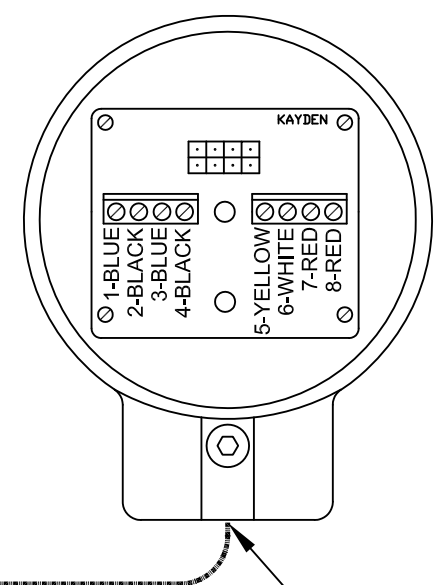
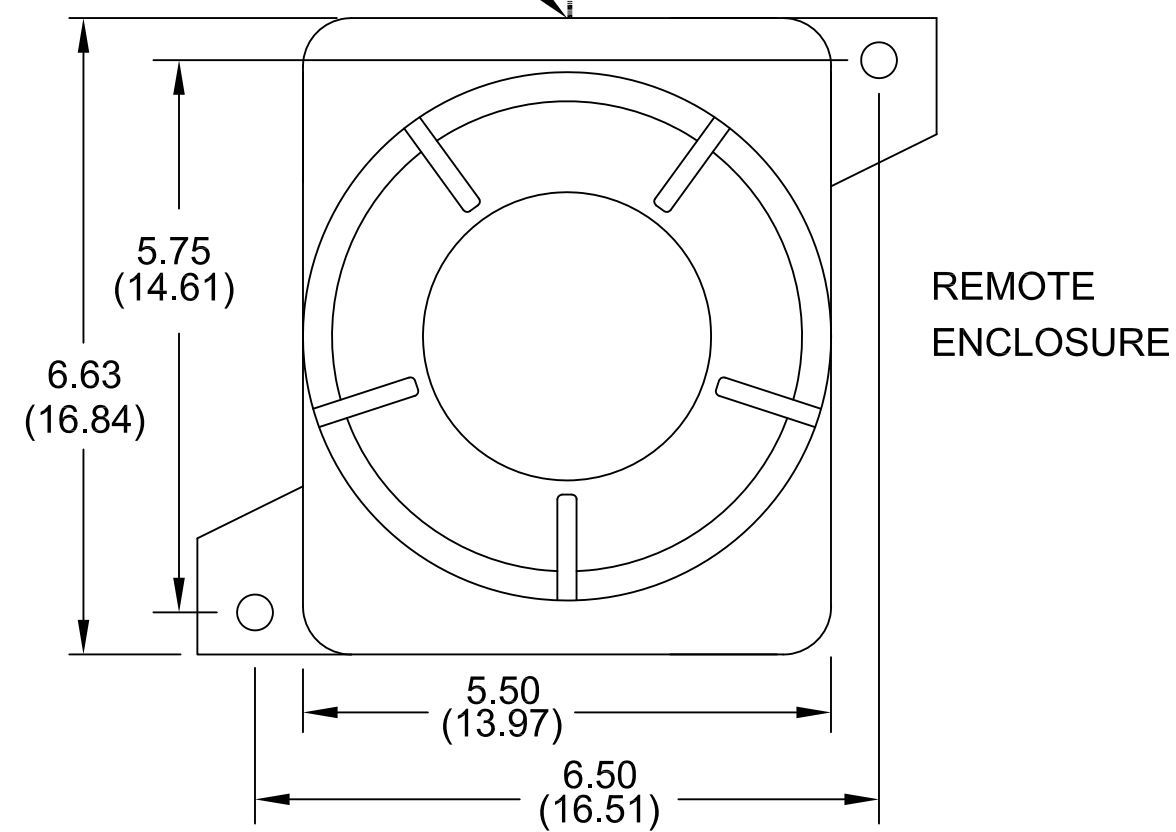
eg. Flange = 1 1/2". 150# = (P22-RAA131AJ-IXXXX-M) See flange list

UNLESS OTHERWISE SPECIFIED:		NAME	DATE	
DIMENSIONS ARE IN INCHES	DRAWN	NSP	19MAR23	
TOLERANCES: ANGULAR: 0.5° ONE PLACE DECIMAL ±0.1 TWO PLACE DECIMAL ±0.02 THREE PLACE DECIMAL ±0.007	CHECKED			
	ENG APPR.			
INTERPRET GEOMETRIC TOLERANCING PER:				TITLE:
MATERIAL				Parts List - CLASSIC 814 Series Packing Gland - Flanged - 1" MNPT Low Pressure (125 PSI) w/Safety Chain Remote Electronics
FINISH	COMMENTS:	SIZE	DWG. NO.	REV
DO NOT SCALE DRAWING		B	814-RAAYYYAJ-IXXXX-RE	1
		SCALE: NTS	WEIGHT:	SHEET 3 OF 3

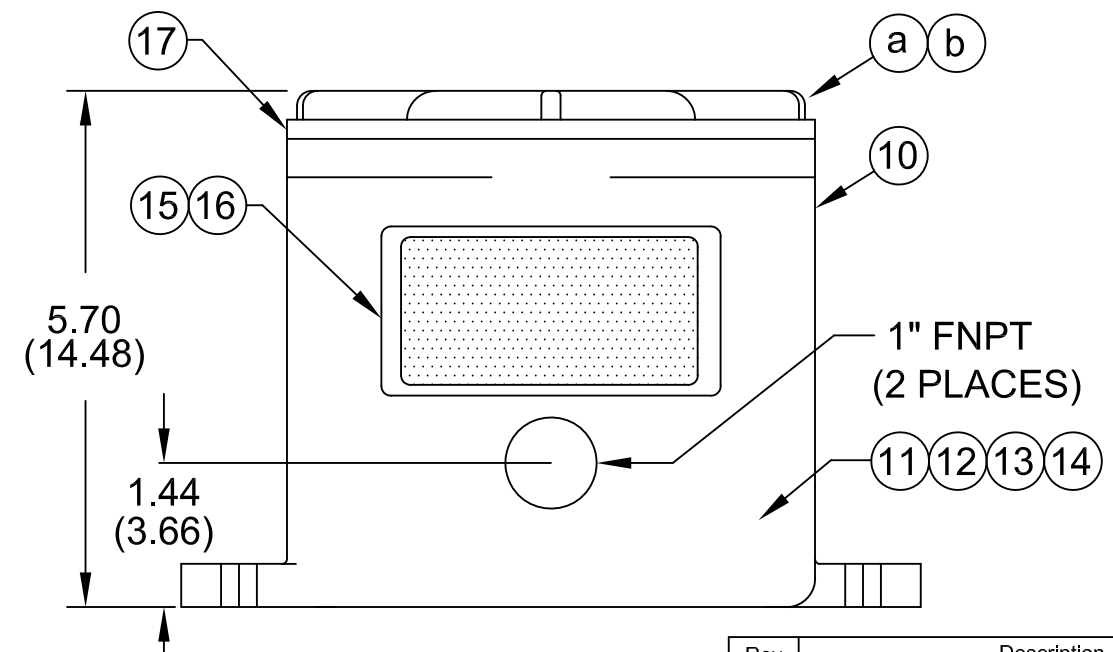
1" FNPT ELECTRONIC CONNECTION

FIELD WIRING

SENSOR ENCLOSURE



1" FNPT ELECTRICAL CONNECTION



Information contained in this document is confidential and proprietary information of Telematic Controls Inc. This document may not be reproduced or distributed for any reason without express written permission of Telematic Controls Inc. All rights of design, invention and copyright are reserved.

APPROVALS	DATE
DRN MW	13MAY13
CHKD EC	21MAY13
APP TDH	03JUN13

KAYDEN[®]
INSTRUMENTS

All dimensions are shown in inches with cm shown in brackets

TOLERANCES ARE:

DECIMALS	ANGLES
.X ± 0.1	±0.5°
.XX ± 0.02	
.XXX ± 0.007	

TITLE: CLASSIC Series Remote Electronics Flameproof Enclosure (CSA)

SIZE A3	DWG NO. 7730-0000-1-CSA	REV 0
SCALE NTS		SHEET 1 OF 2

Rev	Description	App.	Date
0	Initial release	TDH	03Jun13

NOTES:
1. Wire according to connection diagram.

ITEM	DESCRIPTION	PART NUMBER	QTY
10	Flameproof Remote Enclosure	1409-1201	1
a	<input type="checkbox"/> Glass Lens Cover - Flameproof	1409-1208	1
b	<input type="checkbox"/> Blind Cover - Flameproof	1409-1207	1
11	Terminal Assembly	2511-0012	1
12	Ground Screw	2540-0023	1
13	CLASSIC Electronics Module	L10-800-C-E	1
	(12-24 VDC, 115-230 VAC)		
14	Mounting Screws (316 SS)	2540-0007	2
15	Nameplate, Foil	2400-0007	1
16	Nameplate, Overlay	2401-0001	1
17	Cover Gasket	1499-1301	1

Information contained in this document is confidential and proprietary information of Telematic Controls Inc. This document may not be reproduced or distributed for any reason without express written permission of Telematic Controls Inc. All rights of design, invention and copyright are reserved.

APPROVALS		DATE
DRN	MW	13MAY13
CHKD	EC	21MAY13
APP	TDH	03JUN13

All dimensions are shown in inches with cm shown in brackets

TOLERANCES ARE:

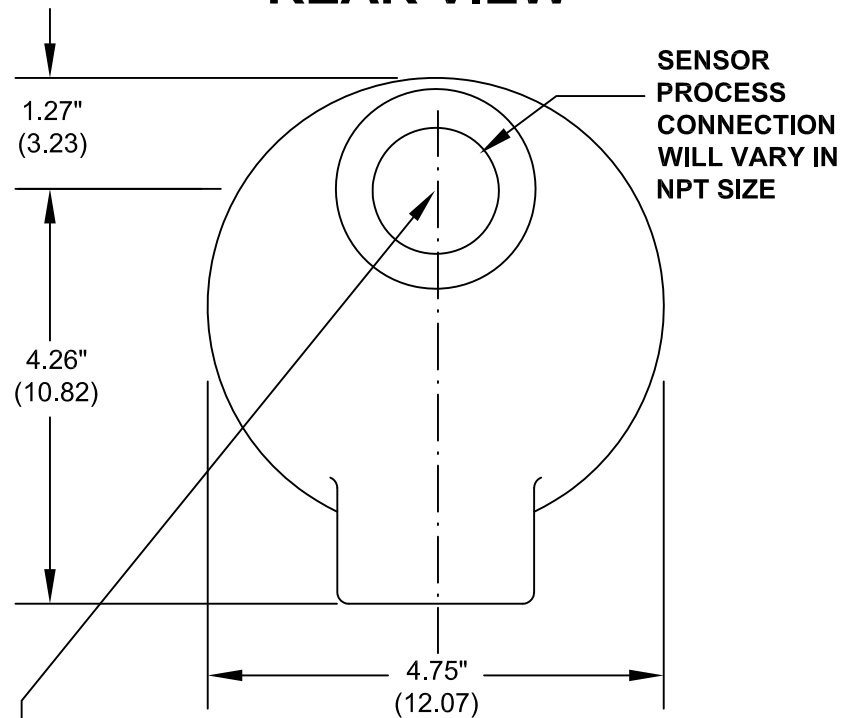
DECIMALS	ANGLES
.X ± 0.1	±0.5°
.XX ± 0.02	
.XXX ± 0.007	



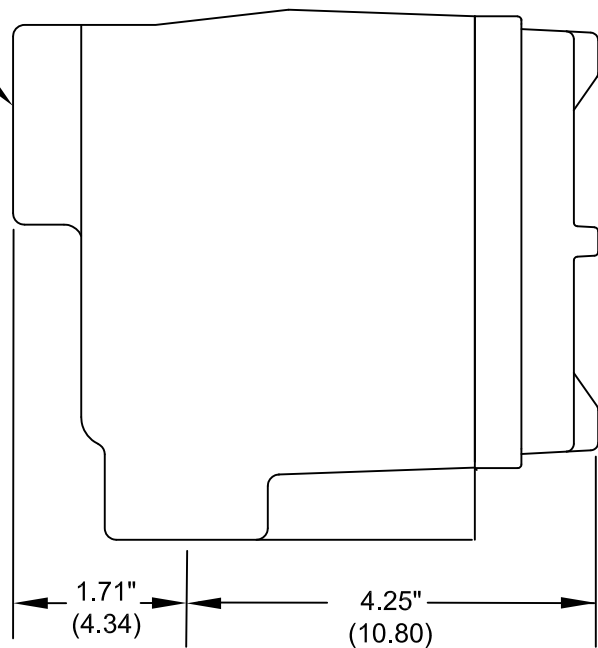
TITLE Parts List - CLASSIC Series Remote Electronics Flameproof Enclosure (CSA)		
SIZE A3	DWG NO. 7730-0000-2-CSA	REV 0
SCALE NTS		SHEET 2 OF 2

Rev	Description	App.	Date
0	Initial release	TDH	03Jun13

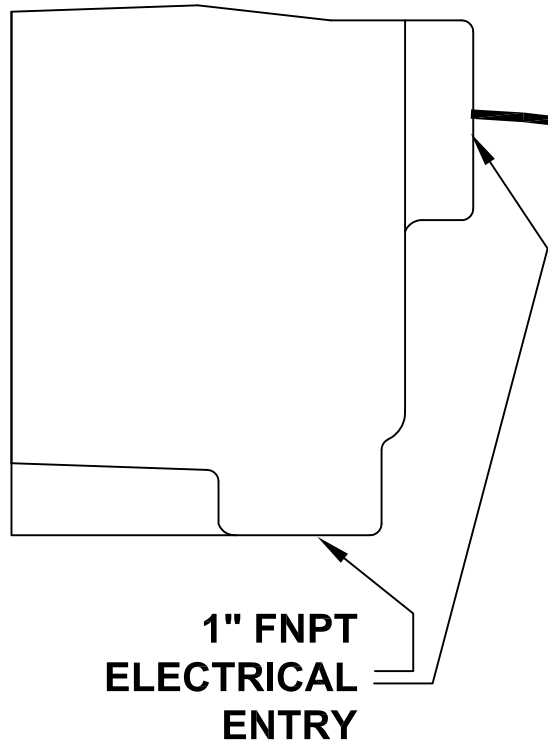
SENSOR AND REMOTE ENCLOSURE REAR VIEW



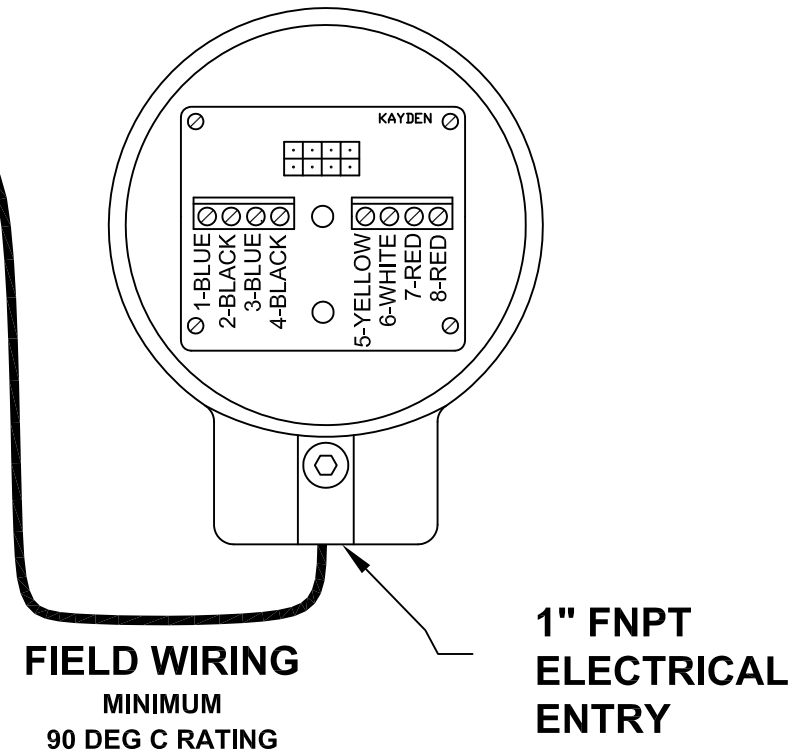
MOUNT SENSOR AND REMOTE ENCLOSURE USING FNPT ENTRY



REMOTE ENCLOSURE SIDE VIEW



SENSOR ENCLOSURE FRONT VIEW



SENSOR AND REMOTE ENCLOSURE SIDE VIEW

Rev	Description	App.	Date
0	Initial release	TDH	03Jun13

Information contained in this document is confidential and proprietary information of Telematic Controls Inc. This document may not be reproduced or distributed for any reason without express written permission of Telematic Controls Inc. All rights of design, invention and copyright are reserved.

APPROVALS		DATE	
DRN	MW	13MAY13	
CHKD	EC	21MAY13	
APP	TDH	03JUN13	
All dimensions are shown in inches with cm shown in brackets TOLERANCES ARE: DECIMALS ANGLES .X ± 0.1 ±0.5° .XX ± 0.02 .XXX ± 0.007			TITLE CLASSIC Series Sensor and Remote Flameproof Enclosure (FM)
SIZE A3	DWG NO. 7730-0000-1-FM	REV 0	
SCALE NTS		SHEET 1 OF 1	

NOTES:
1. Wire sensor to remote according to connection diagram.